

THE WILSON GROUP  
- ARCHITECTS -

PO BOX 5510 CHARLOTTE, NC 28209  
704-331-8747 • www.twgarchitects.com

CIVIL ENGINEER  
TALBERT, BRIGHT &  
ELLINGTON

3525 WHITEHALL PARK DRIVE, SUITE 210  
CHARLOTTE, NC 28273  
(704) 425-8070 FIRM NO.: C-1183

STRUCTURAL ENGINEER  
STEWART  
101 N. TRYON ST., SUITE 1400  
CHARLOTTE, NC 28202  
(704) 889-3523 FIRM NO.: C-1051

MECHANICAL, ELECTRICAL, PLUMBING &  
FIRE PROTECTION ENGINEER  
SABER ENGINEERING  
2923 S. TRYON ST., SUITE 200  
CHARLOTTE, NC 28203  
(704) 373-0068 FIRM NO.: C-2130

LANDSCAPE ARCHITECT  
URBAN DESIGN  
PARTNERS  
1315-EE CENTRAL AVENUE  
CHARLOTTE, NC 28205  
(704) 334-3303 FIRM NO.: C-TBD

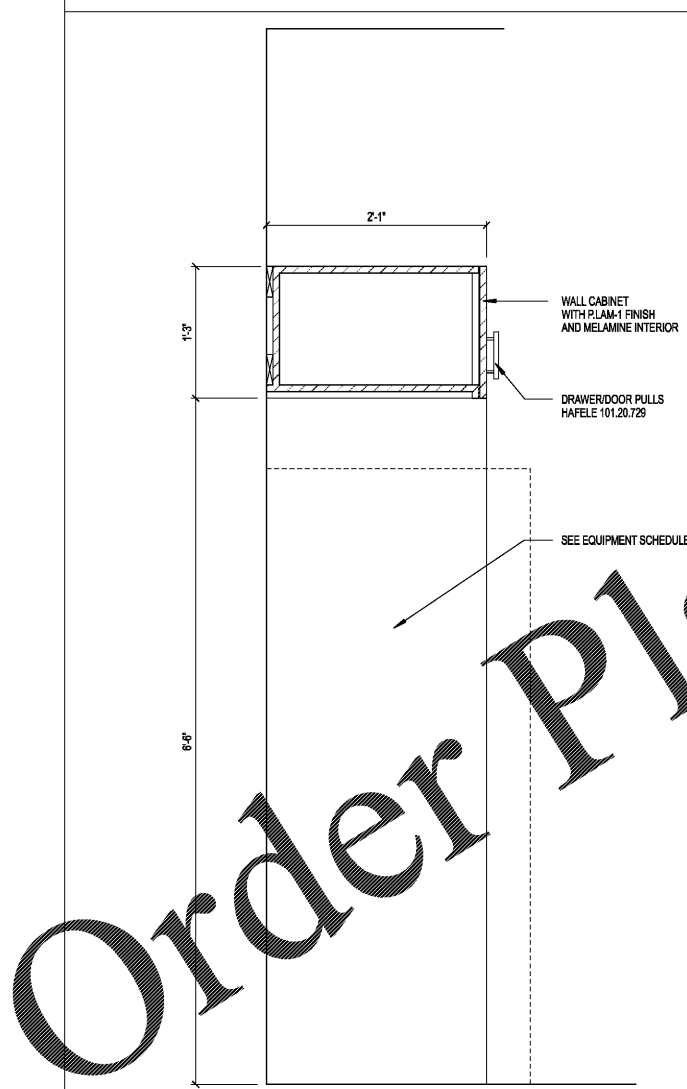
COMMUNICATIONS INFRASTRUCTURE  
DB CONSULTING  
246 LOVES FARM ROAD  
BLACKSBURG, SC 29702  
(704) 497-7228 FIRM NO.: C-TBD

REVISIONS

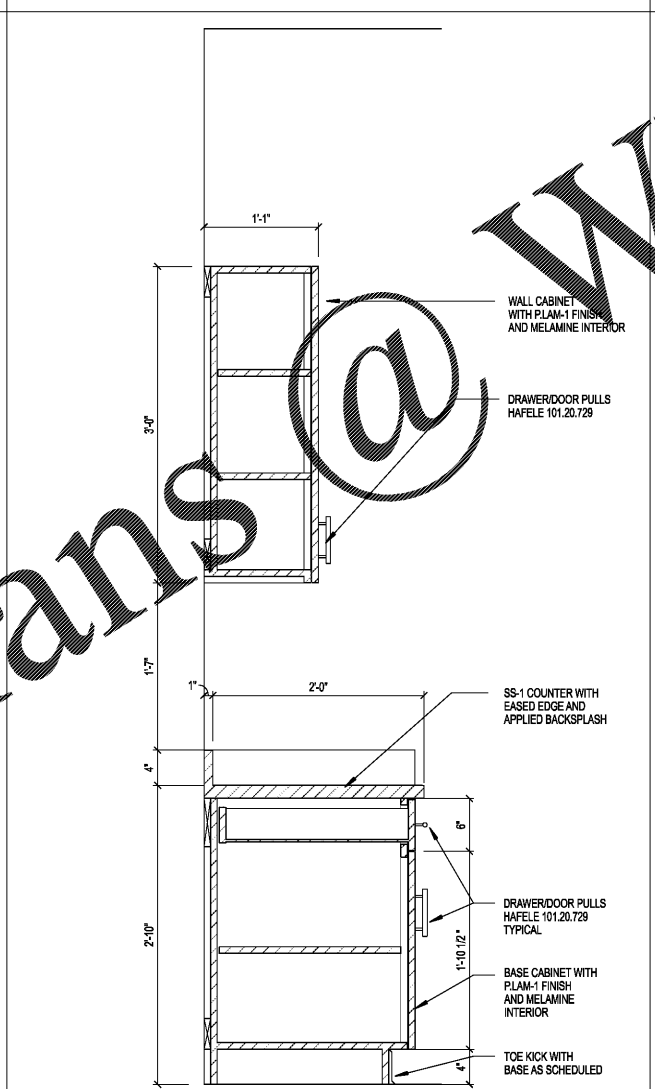
DATE DECEMBER 7, 2018  
PROJECT NUMBER 9197-000

SHEET TITLE  
CASEWORK SECTIONS

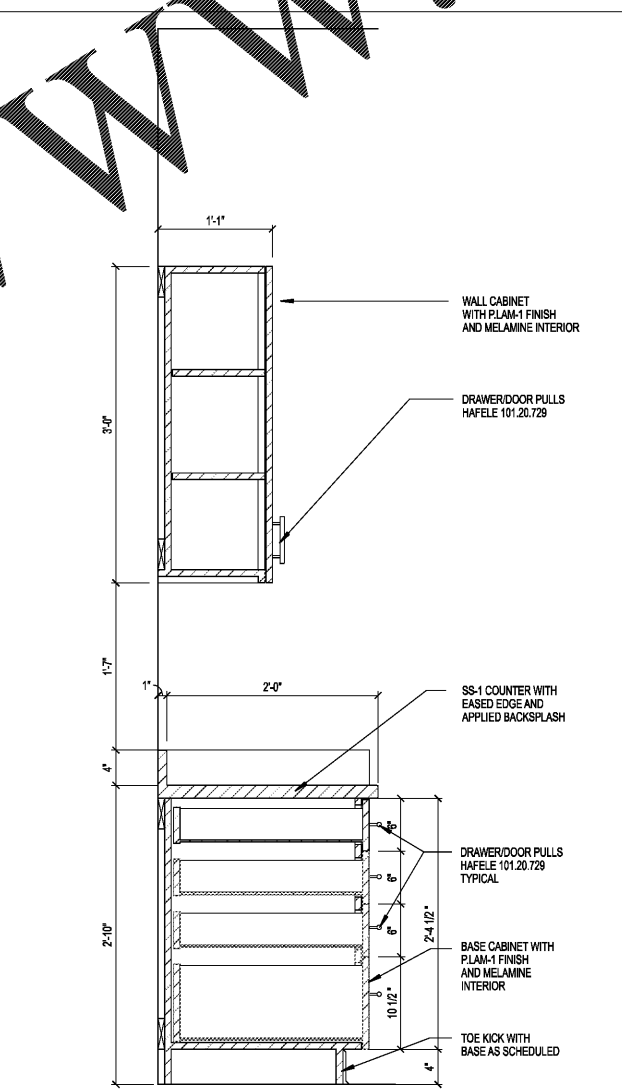
SHEET NUMBER  
A-265



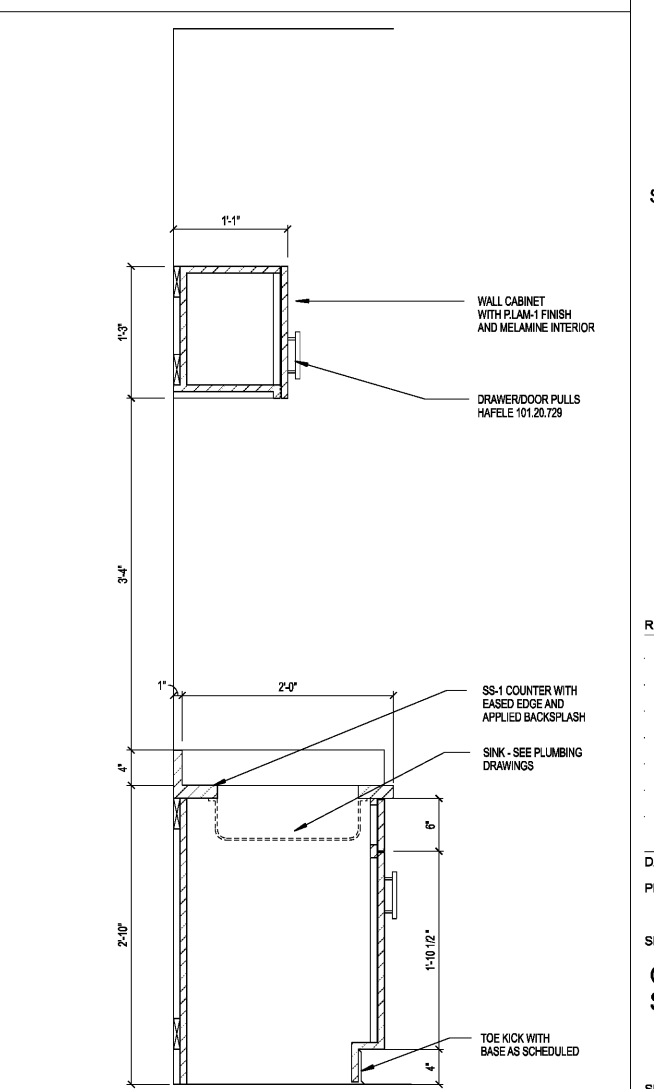
1 A-251 CASEWORK SECTION 1 1/2"=1'-0"



2 A-251 CASEWORK SECTION 1 1/2"=1'-0"



3 A-251 CASEWORK SECTION 1 1/2"=1'-0"



4 A-251 CASEWORK SECTION 1 1/2"=1'-0"

Order Plans @ WWW.LDILine.com