



THE WILSON GROUP ARCHITECTS
- ARCHITECTS -

PO BOX 5510 CHARLOTTE, NC 28209
704-331-9747 • www.twgarchitects.com

CIVIL ENGINEER
TALBERT, BRIGHT & ELLINGTON
3525 WHITEHALL PARK DRIVE, SUITE 210
CHARLOTTE, NC 28273
(704) 428-8070 FIRM NO.: C-1183

STRUCTURAL ENGINEER
STEWART
101 N. TRYON ST., SUITE 1400
CHARLOTTE, NC 28202
(704) 889-3523 FIRM NO.: C-1051

MECHANICAL, ELECTRICAL, PLUMBING & FIRE PROTECTION ENGINEER
SABER ENGINEERING
2923 S. TRYON ST., SUITE 280
CHARLOTTE, NC 28203
(704) 373-0068 FIRM NO.: C-2130

LANDSCAPE ARCHITECT
URBAN DESIGN PARTNERS
1315-EB CENTRAL AVENUE
CHARLOTTE, NC 28205
(704) 334-3303 FIRM NO.: C-TBD

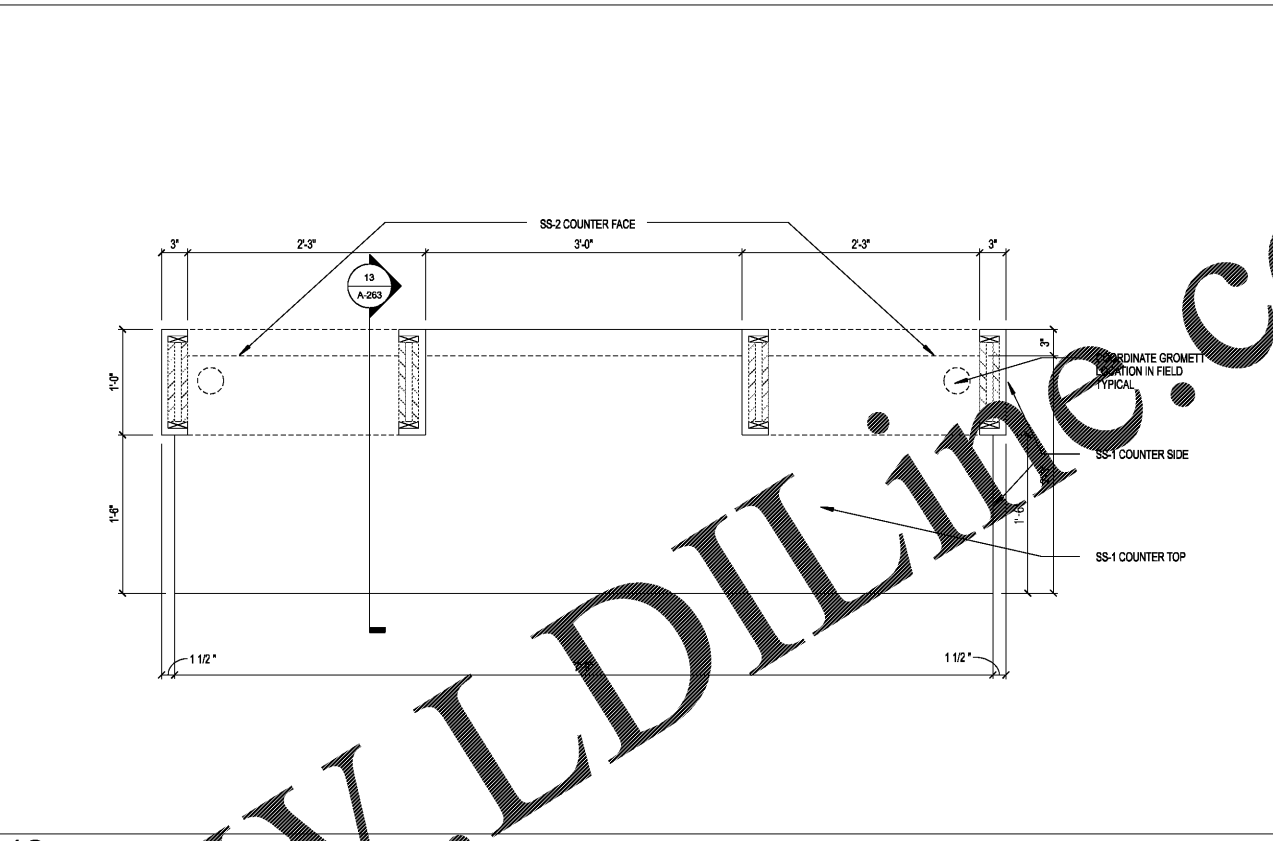
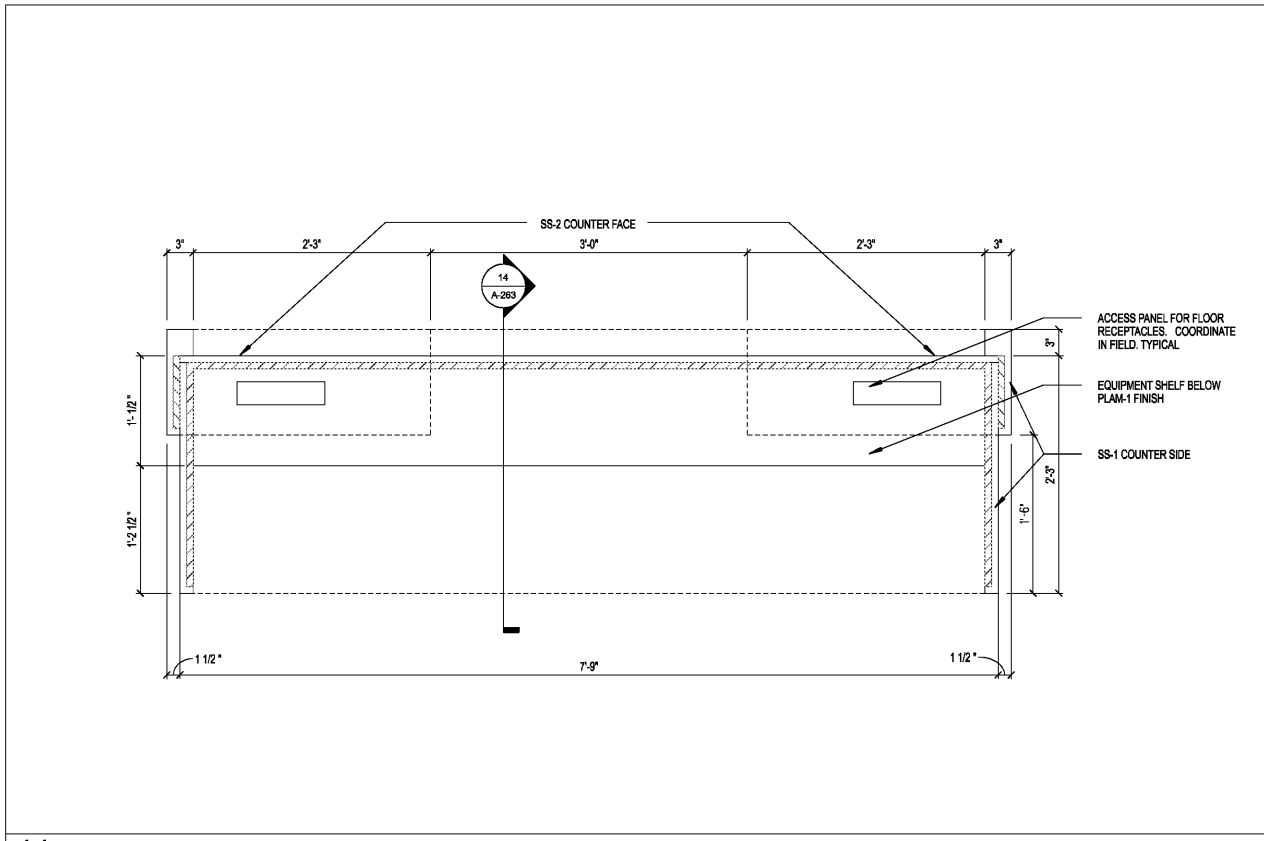
COMMUNICATIONS INFRASTRUCTURE
DB CONSULTING
246 LOVES FARM ROAD
BLACKSBURG, SC 29702
(704) 497-7228 FIRM NO.: C-TBD

REVISIONS

DATE: DECEMBER 7, 2018
PROJECT NUMBER: 9197-000

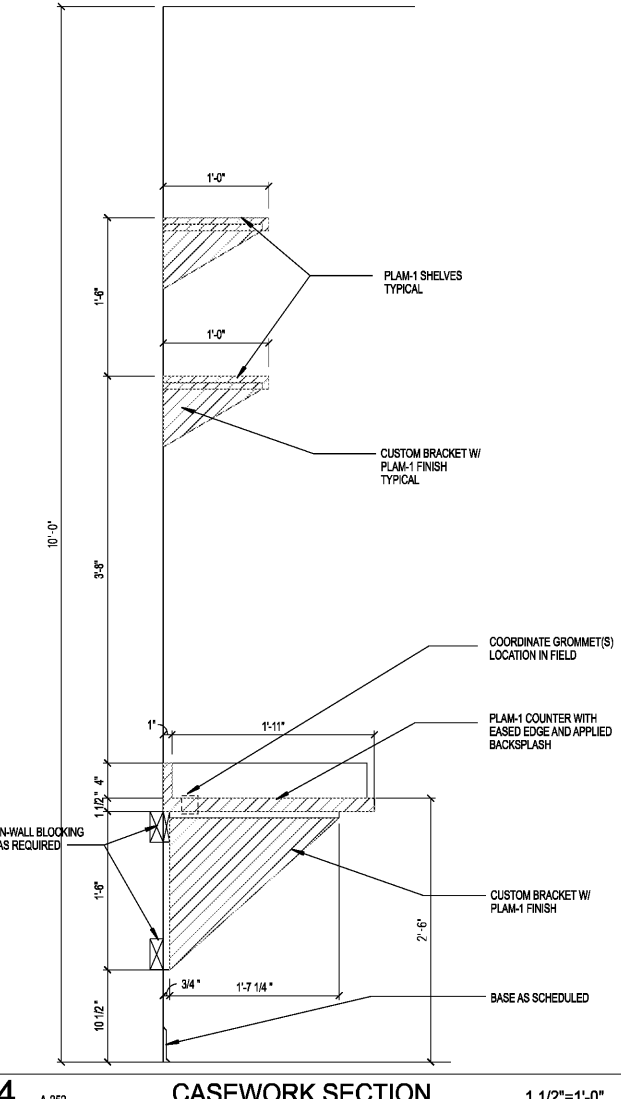
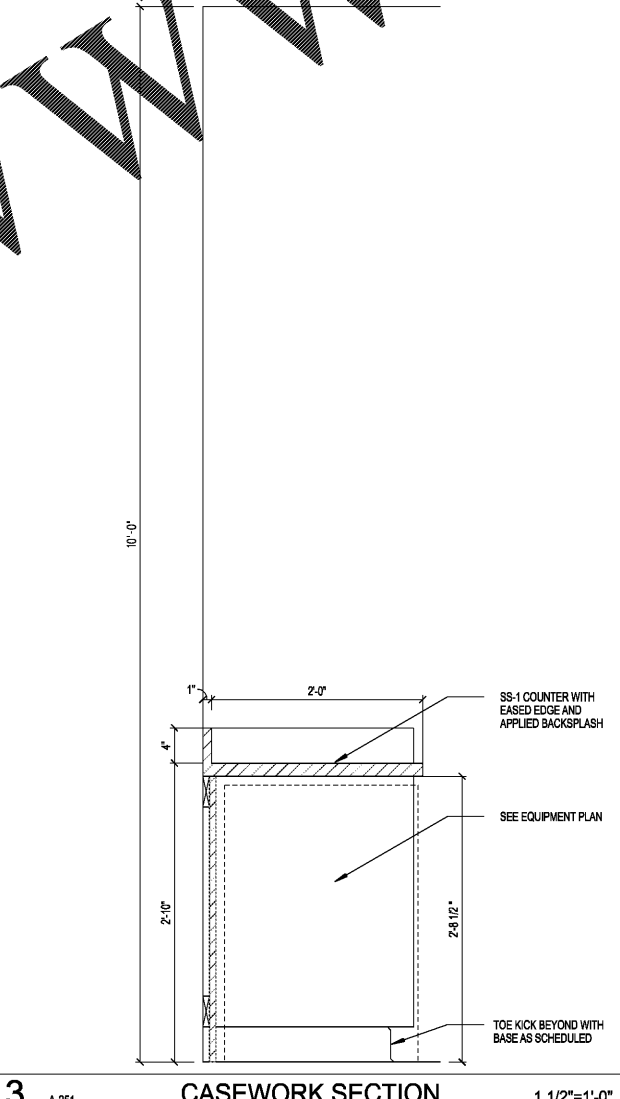
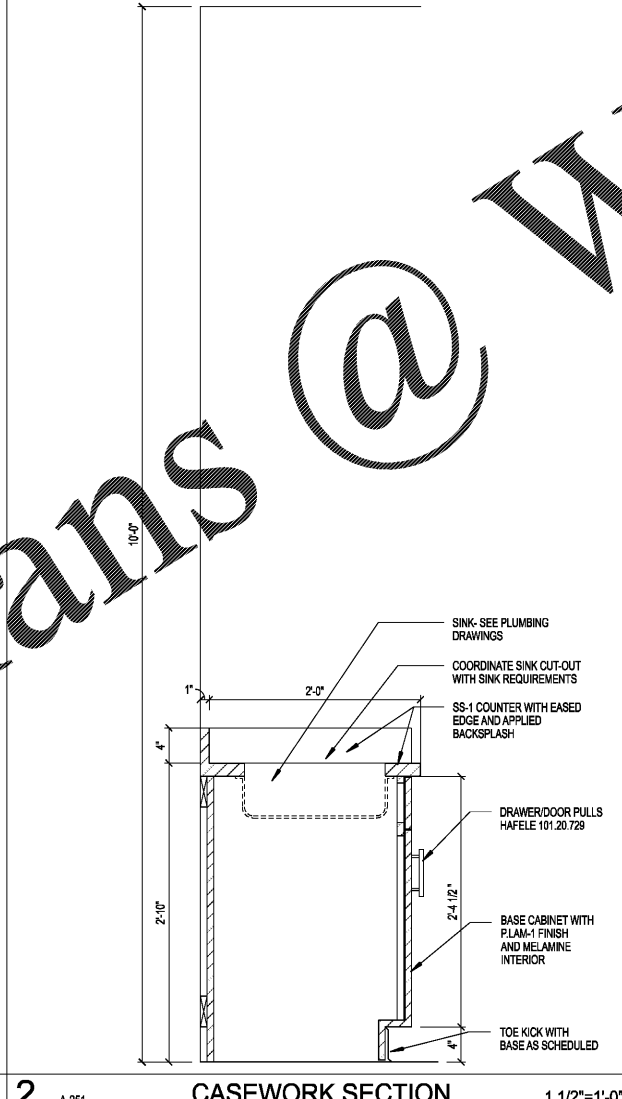
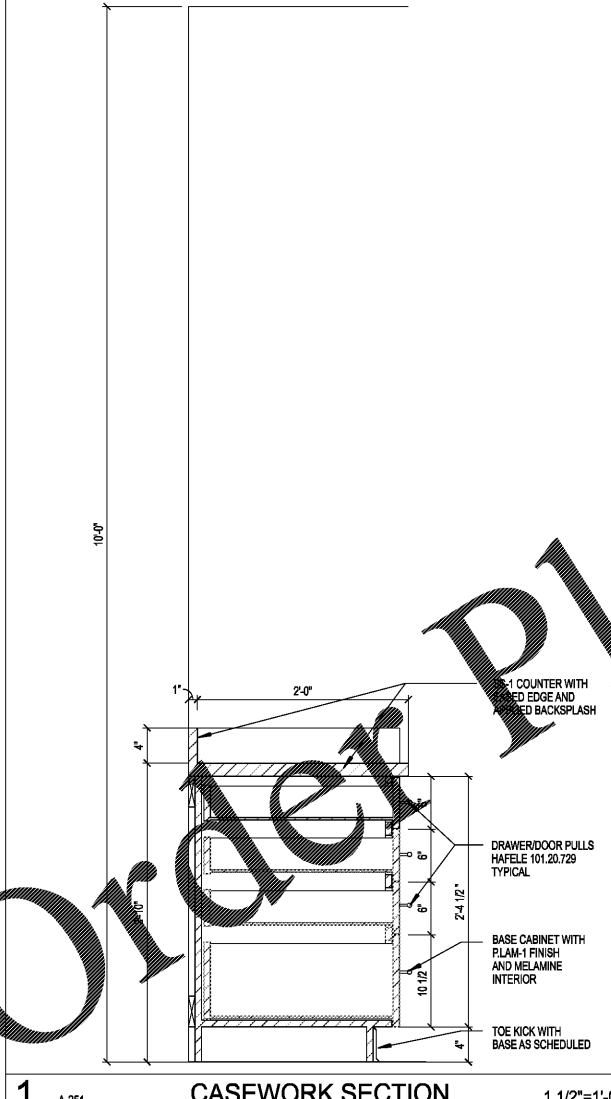
SHEET TITLE
CASEWORK SECTIONS

SHEET NUMBER
A-264



11 A-254 CASEWORK SECTION 1 1/2"=1'-0"

13 A-252 CASEWORK SECTION 1 1/2"=1'-0"



1 A-251 CASEWORK SECTION 1 1/2"=1'-0"

2 A-251 CASEWORK SECTION 1 1/2"=1'-0"

3 A-251 CASEWORK SECTION 1 1/2"=1'-0"

4 A-252 CASEWORK SECTION 1 1/2"=1'-0"