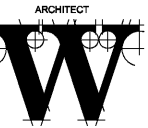


**WILSON AIR CENTER
NORTH TERMINAL**

HCDT
CHARLOTTE-DODD
INTERNATIONAL ARCHITECTS
5327 WOODS FIELD DRIVE
CHARLOTTE, NC 28203



**THE WILSON GROUP
ARCHITECTS**

PO BOX 5510 CHARLOTTE, NC 28209
704-331-8747 • www.twgarchitects.com

**CIVIL ENGINEER
TALBERT, BRIGHT &
ELLINGTON**

3525 WHITEHALL PARK DRIVE, SUITE 210
CHARLOTTE, NC 28273
(704) 425-8070 FIRM NO.: C-1183

**STRUCTURAL ENGINEER
STEWART**

101 N. TRYON ST., SUITE 1400
CHARLOTTE, NC 28202
(704) 889-3523 FIRM NO.: C-1051

**MECHANICAL, ELECTRICAL, PLUMBING &
FIRE PROTECTION ENGINEER
SABER ENGINEERING**

2923 S. TRYON ST., SUITE 200
CHARLOTTE, NC 28203
(704) 373-0068 FIRM NO.: C-2130

**LANDSCAPE ARCHITECT
URBAN DESIGN
PARTNERS**

1315-EB CENTRAL AVENUE
CHARLOTTE, NC 28205
(704) 334-3303 FIRM NO.: C-TBD

**COMMUNICATIONS INFRASTRUCTURE
DB CONSULTING**

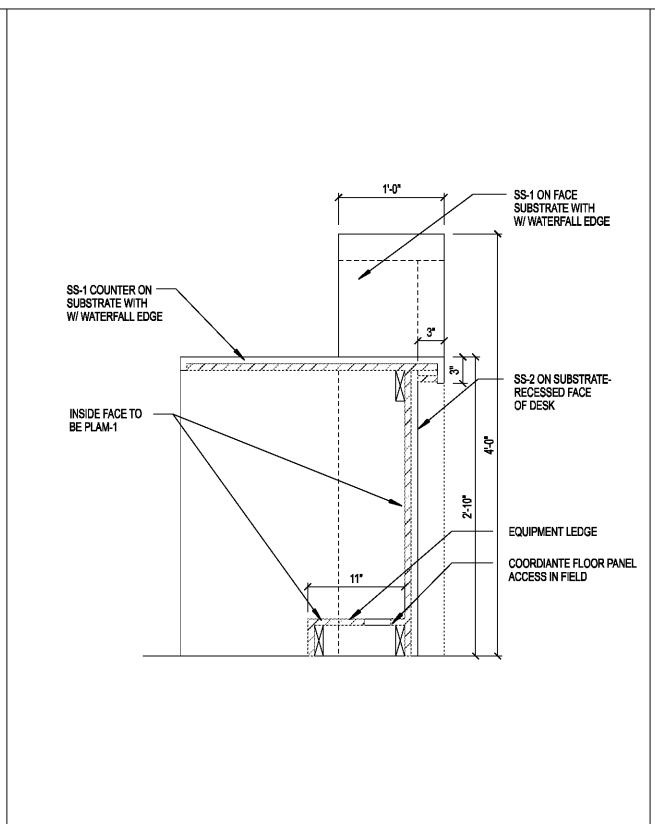
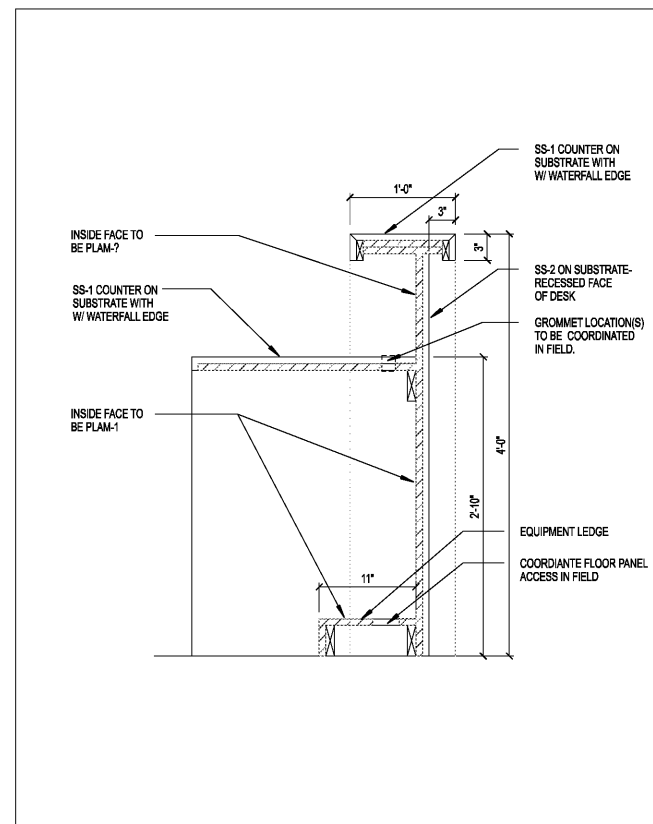
246 LOVES FARM ROAD
BLACKSBURG, SC 29702
(704) 497-7228 FIRM NO.: C-TBD

REVISIONS

DATE DECEMBER 7, 2018
PROJECT NUMBER 9197-000

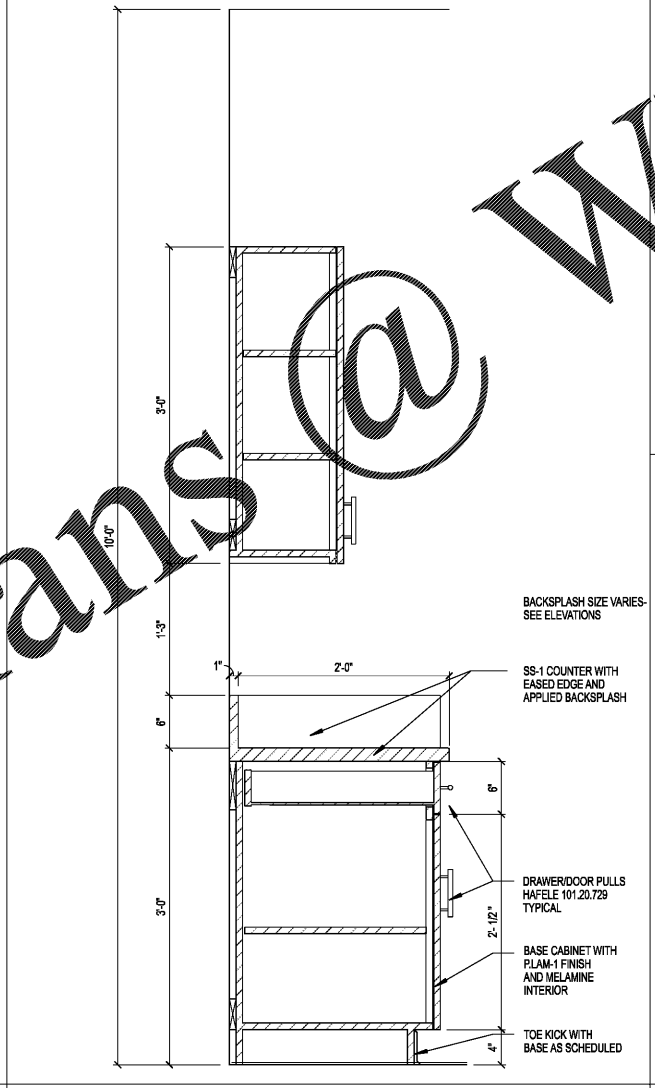
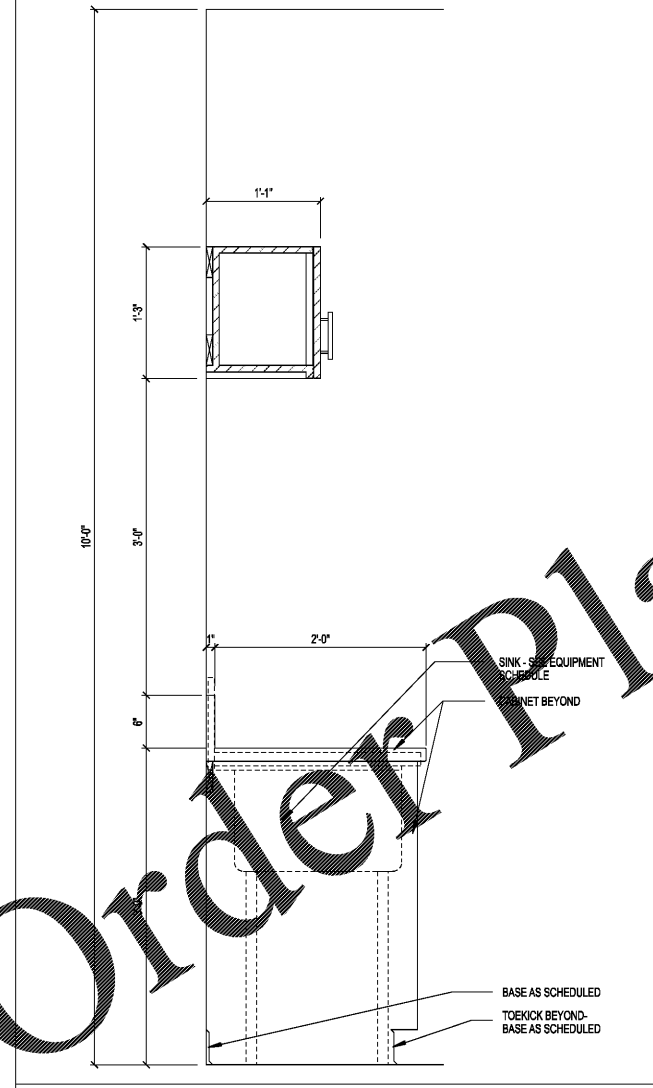
**SHEET TITLE
CASEWORK SECTIONS**

SHEET NUMBER
A-263



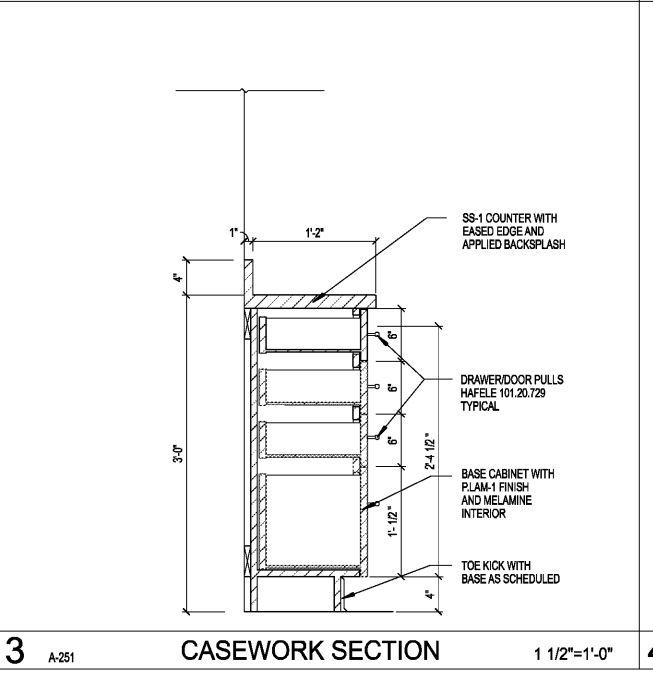
11 A-254 CASEWORK SECTION 1 1/2"=1'-0"

12 A-254 CASEWORK SECTION 1 1/2"=1'-0"

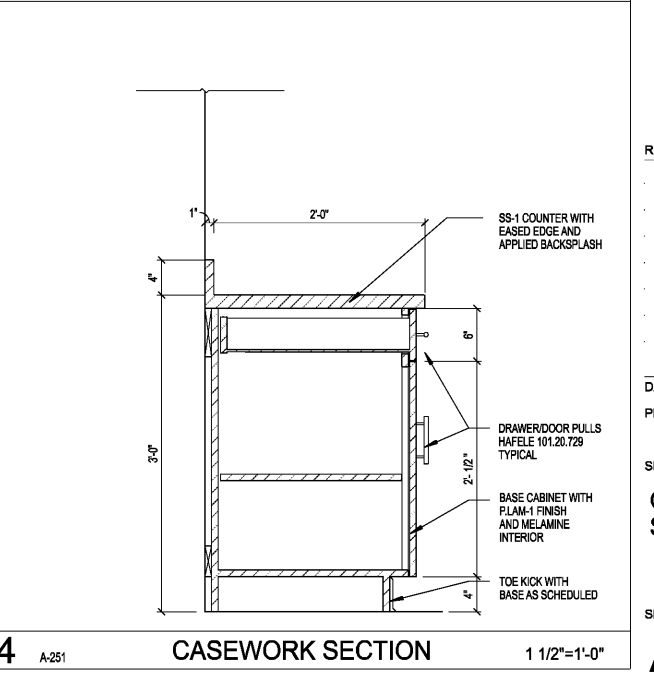
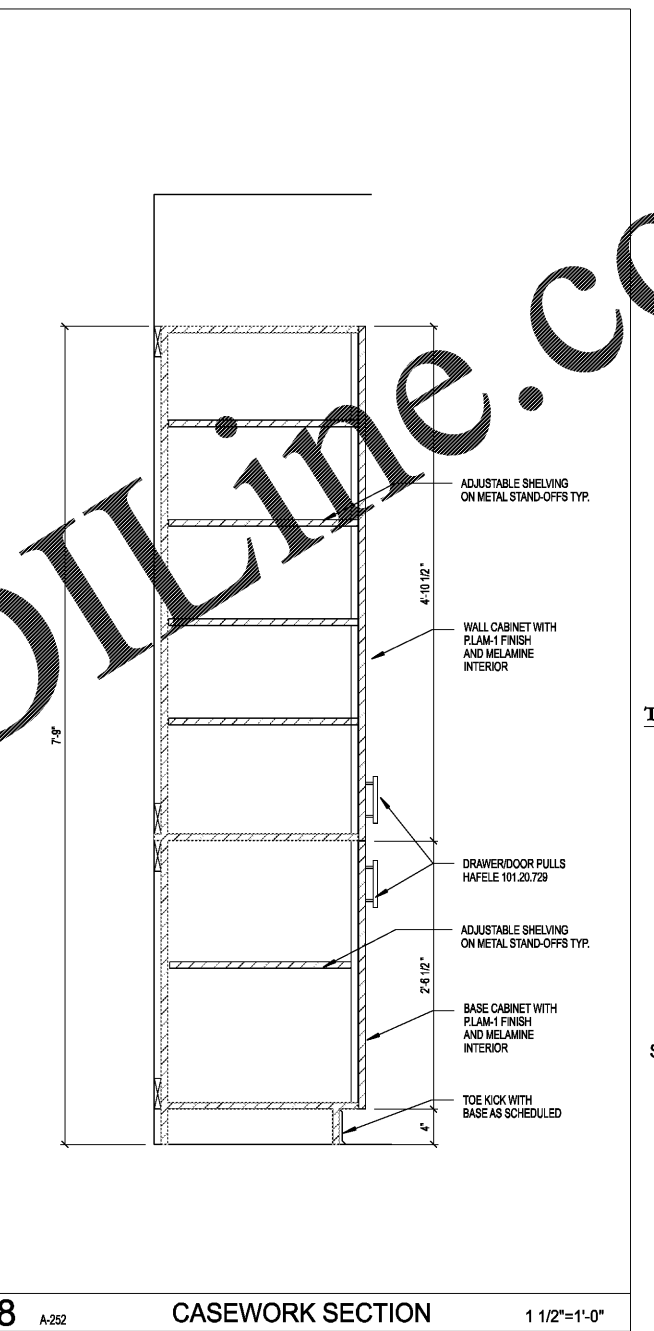


1 A-251 CASEWORK SECTION 1 1/2"=1'-0"

2 A-251 CASEWORK SECTION 1 1/2"=1'-0"



3 A-251 CASEWORK SECTION 1 1/2"=1'-0"



8 A-252 CASEWORK SECTION 1 1/2"=1'-0"

8 A-252 CASEWORK SECTION 1 1/2"=1'-0"

Order Plans @ WWW.LDILine.com