

**THE WILSON GROUP**  
 ARCHITECTS

PO BOX 5510 CHARLOTTE, NC 28209  
 704-331-8747 • www.twgarchitects.com

CIVIL ENGINEER  
**TALBERT, BRIGHT & ELLINGTON**

3525 WHITEHALL PARK DRIVE, SUITE 210  
 CHARLOTTE, NC 28273  
 (704) 425-8070 FIRM NO.: C-1183

STRUCTURAL ENGINEER  
**STEWART**

101 N. TRYON ST., SUITE 1400  
 CHARLOTTE, NC 28202  
 (704) 889-3523 FIRM NO.: C-1051

MECHANICAL, ELECTRICAL, PLUMBING &  
 FIRE PROTECTION ENGINEER  
**SABER ENGINEERING**

2923 S. TRYON ST., SUITE 200  
 CHARLOTTE, NC 28203  
 (704) 373-0088 FIRM NO.: C-2130

LANDSCAPE ARCHITECT  
**URBAN DESIGN PARTNERS**

1315-EE CENTRAL AVENUE  
 CHARLOTTE, NC 28205  
 (704) 334-3303 FIRM NO. C-TBD

COMMUNICATIONS INFRASTRUCTURE  
**DB CONSULTING**

246 LOVES FARM ROAD  
 BLACKSBURG, SC 29702  
 (704) 497-7228 FIRM NO. C-TBD

REVISIONS

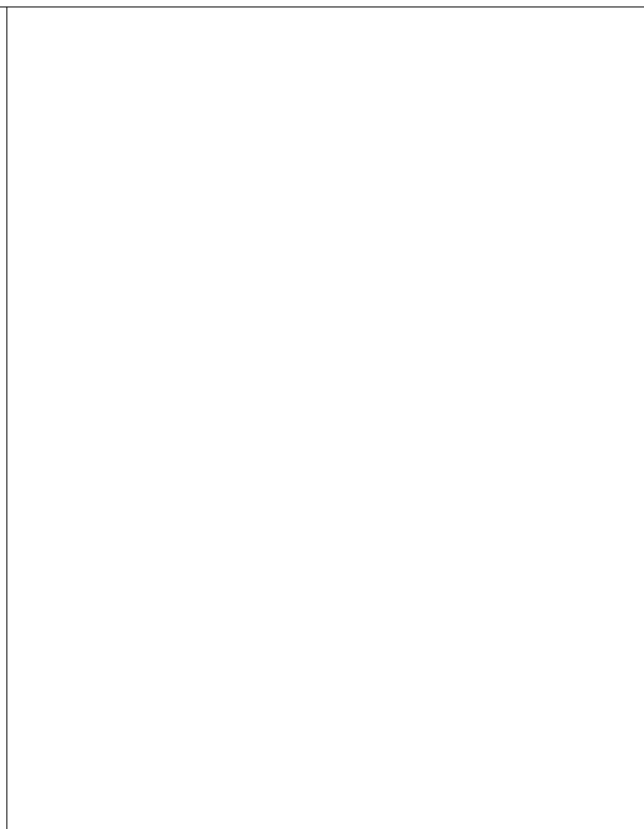
DATE DECEMBER 7, 2018  
 PROJECT NUMBER 9197-000

SHEET TITLE  
**CASEWORK SECTIONS**

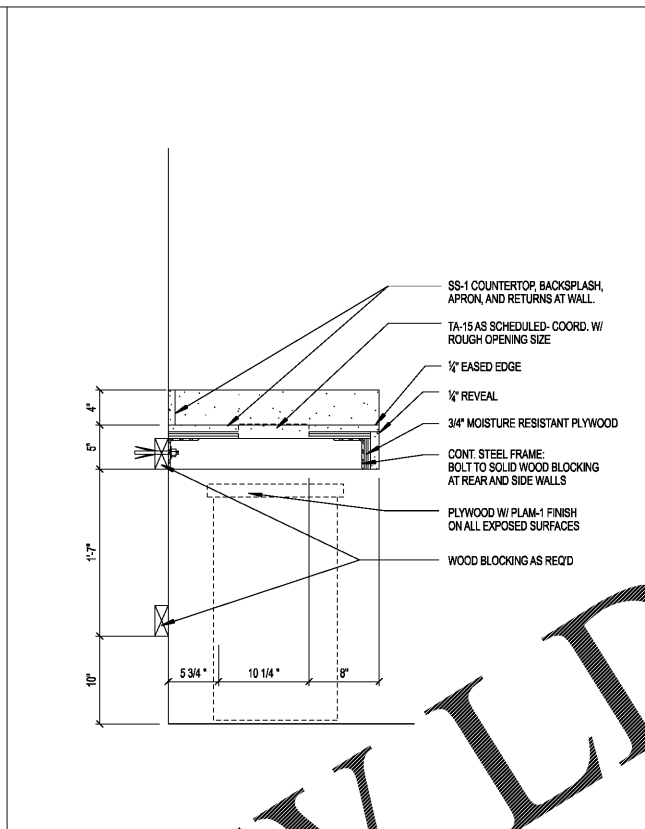
SHEET NUMBER  
**A-262**



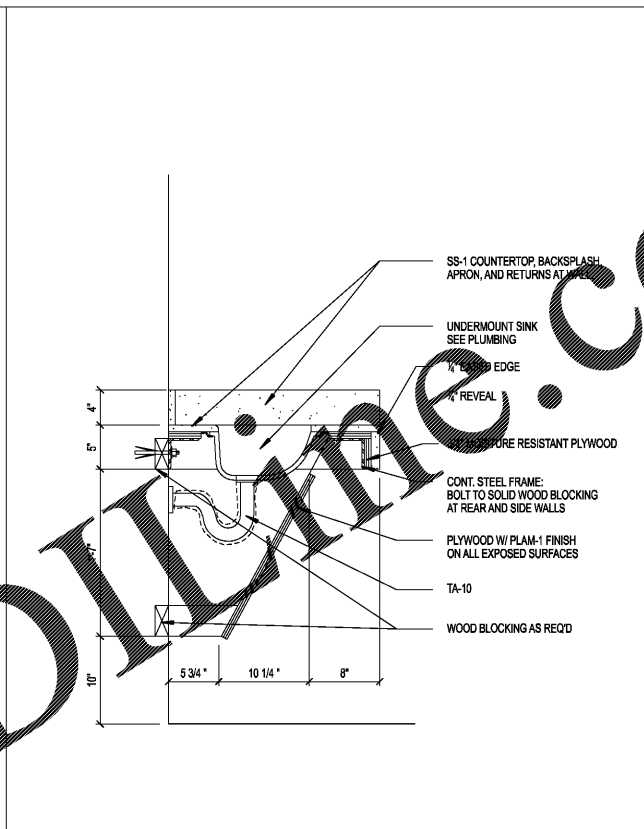
11 A-254 CASEWORK SECTION 1 1/2"=1'-0"



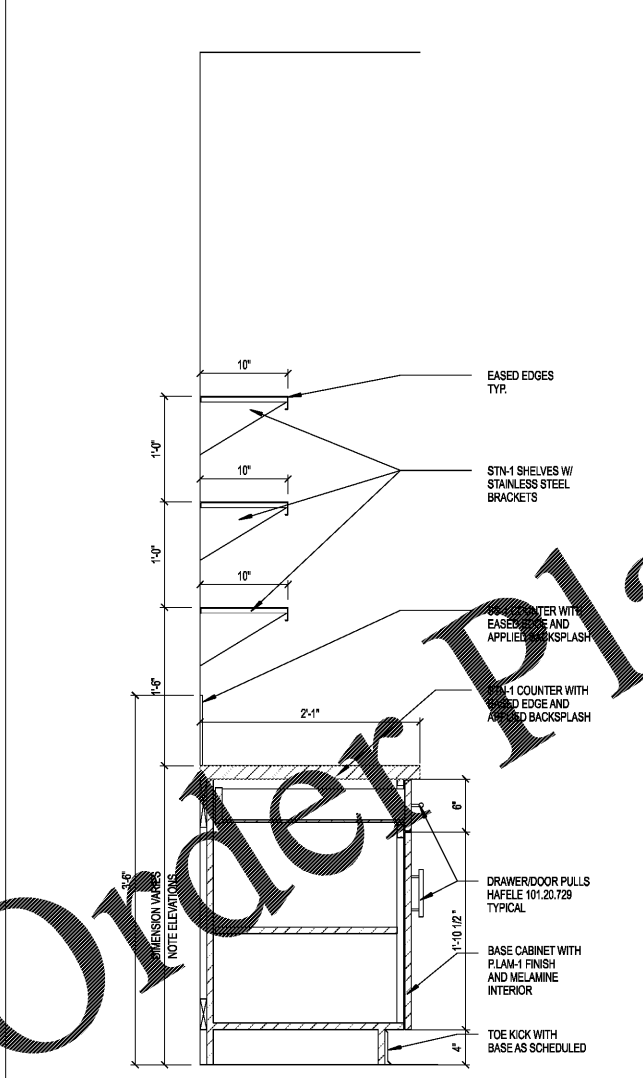
12 A-254 CASEWORK SECTION 1 1/2"=1'-0"



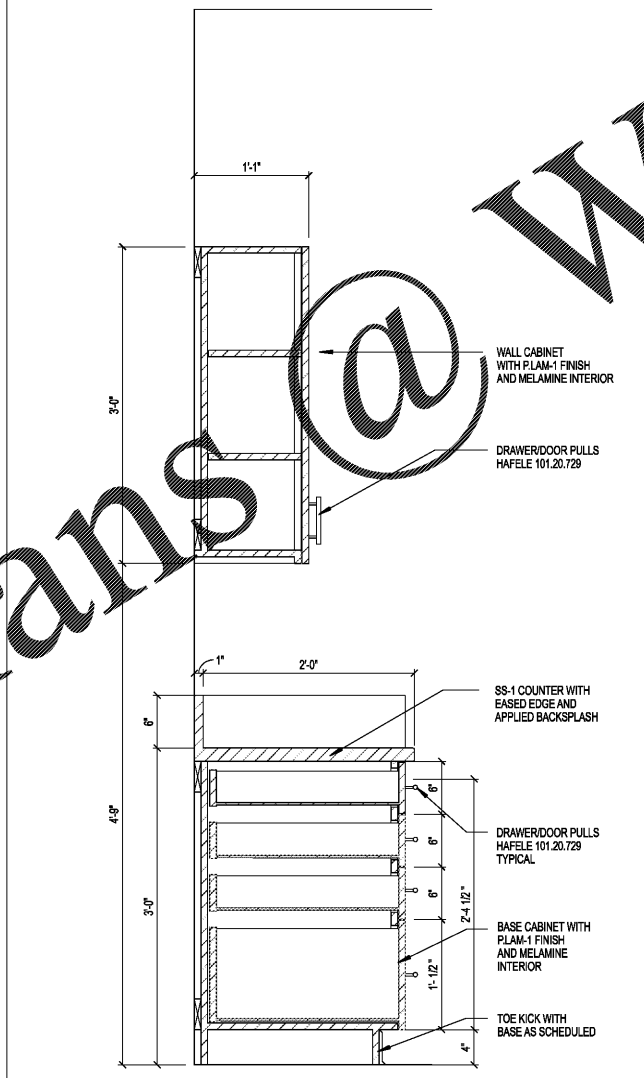
13 A-254 CASEWORK SECTION 1 1/2"=1'-0"



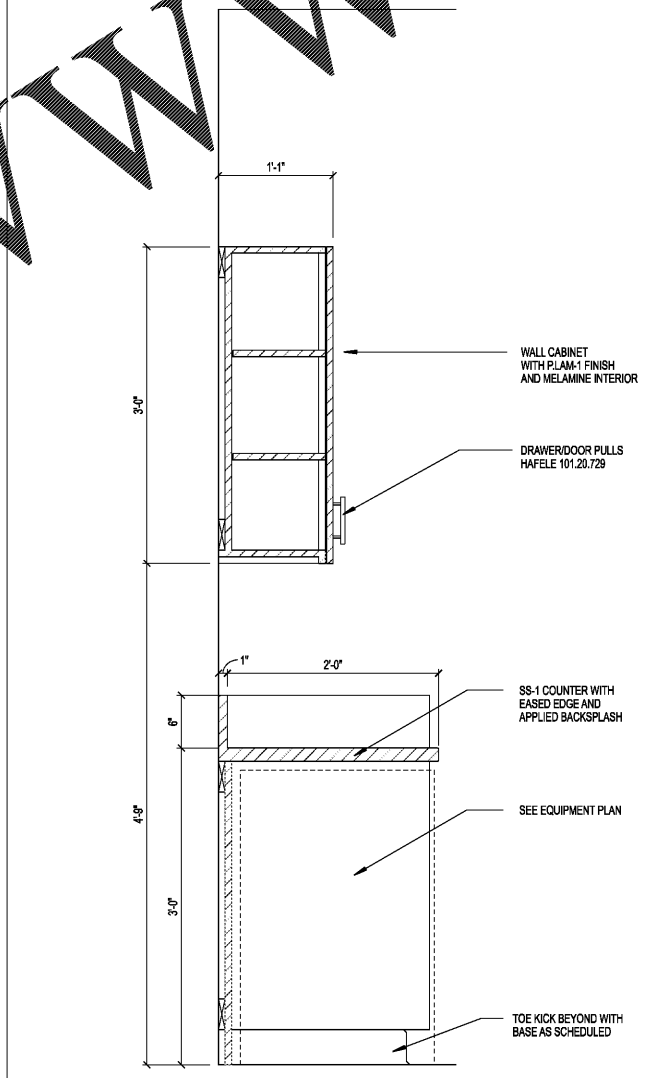
14 A-254 CASEWORK SECTION 1 1/2"=1'-0"



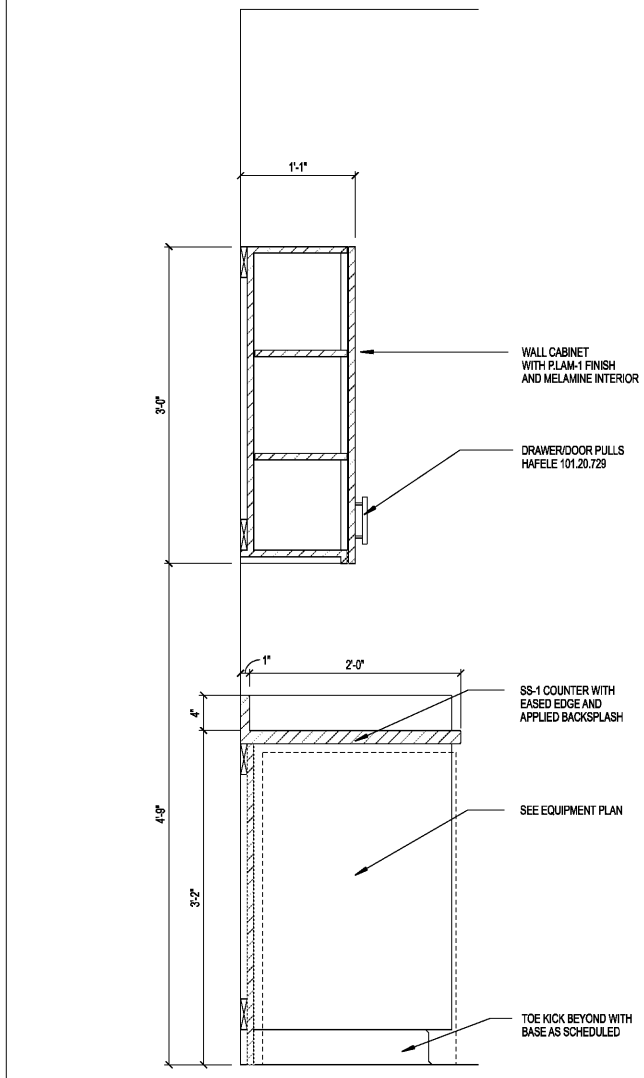
1 A-251 CASEWORK SECTION 1 1/2"=1'-0"



2 A-251 CASEWORK SECTION 1 1/2"=1'-0"



3 A-251 CASEWORK SECTION 1 1/2"=1'-0"



4 A-251 CASEWORK SECTION 1 1/2"=1'-0"

Order Plans @ WWW.LDILLINE.COM