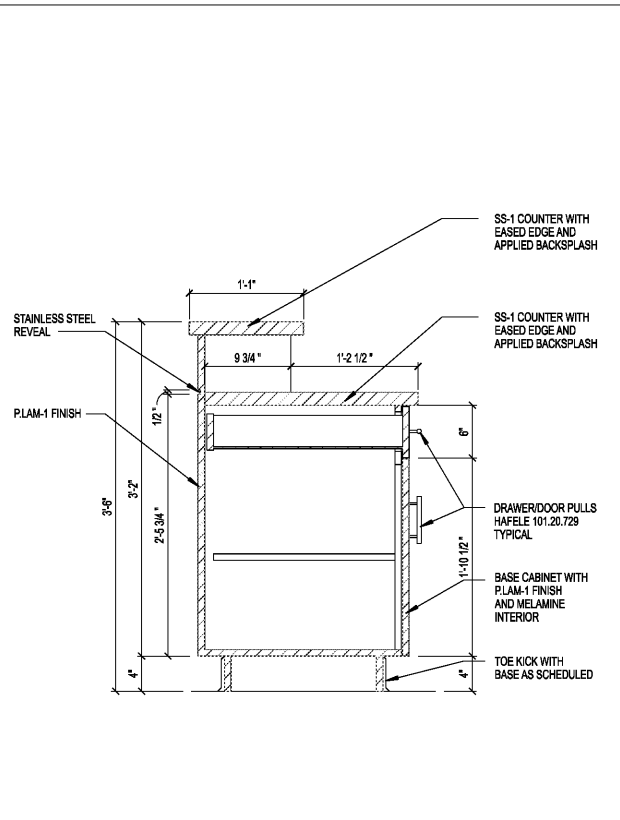


REVISIONS

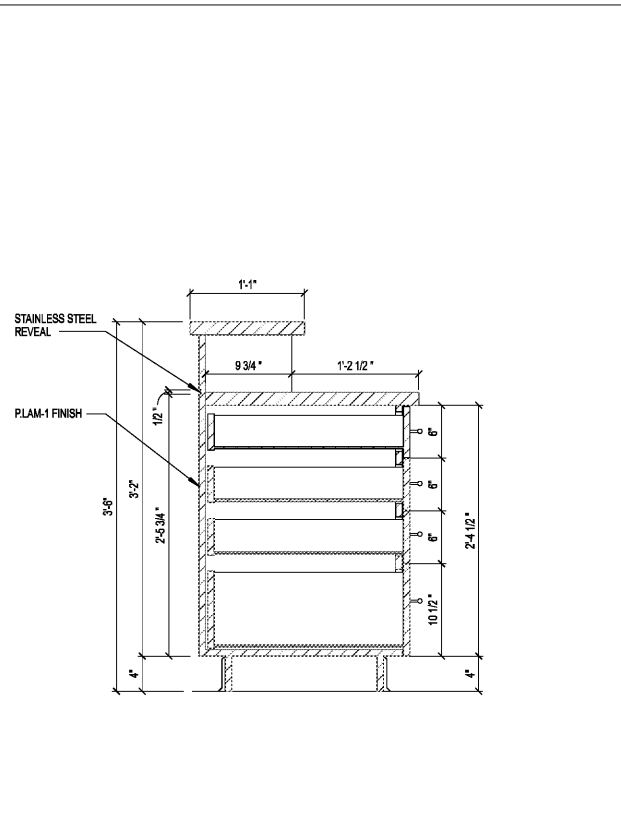
DATE DECEMBER 7, 2018  
 PROJECT NUMBER 9197-000

SHEET TITLE  
**CASEWORK SECTIONS**

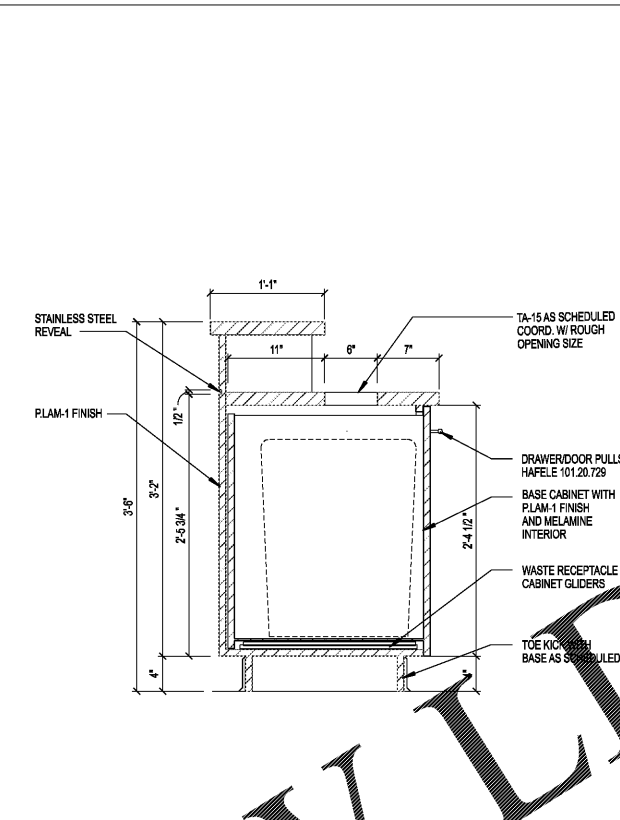
SHEET NUMBER  
**A-261**



**11** CASEWORK SECTION 1 1/2"=1'-0"



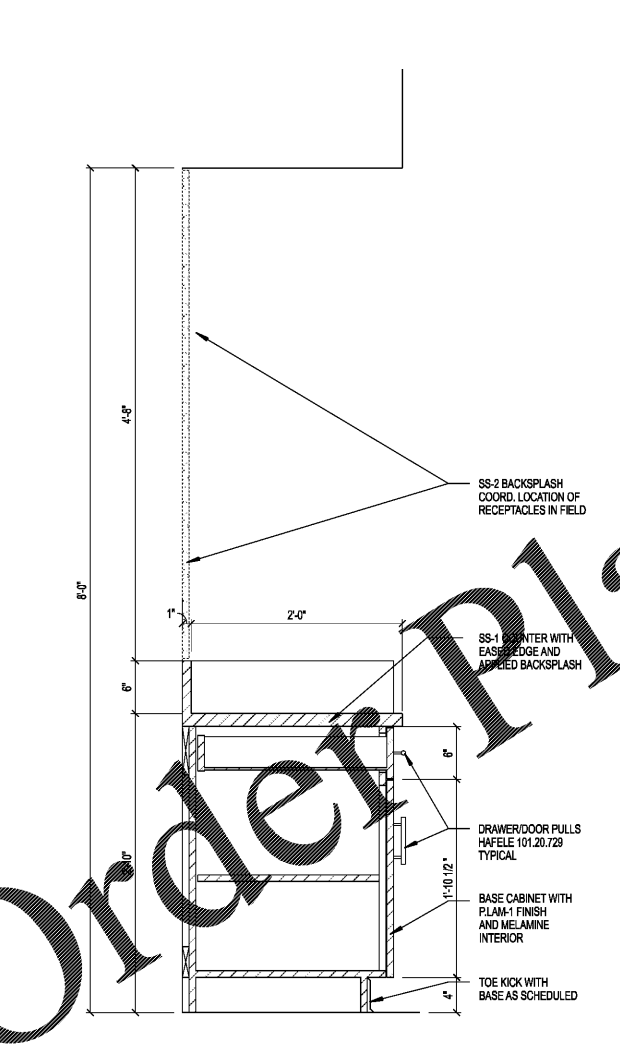
**12** CASEWORK SECTION 1 1/2"=1'-0"



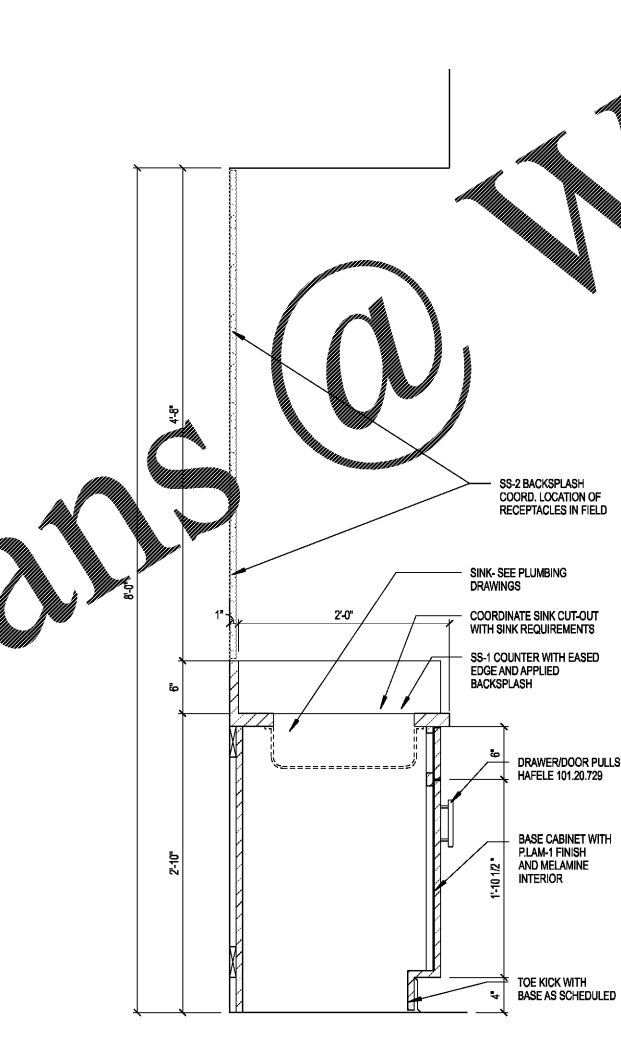
**13** CASEWORK SECTION 1 1/2"=1'-0"



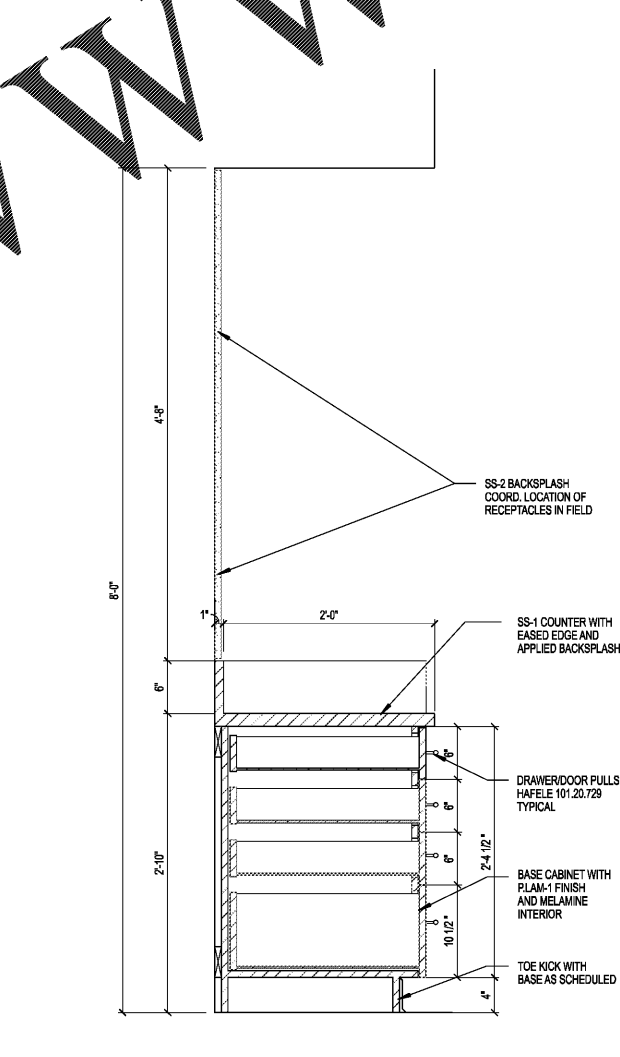
**14** CASEWORK SECTION 1 1/2"=1'-0"



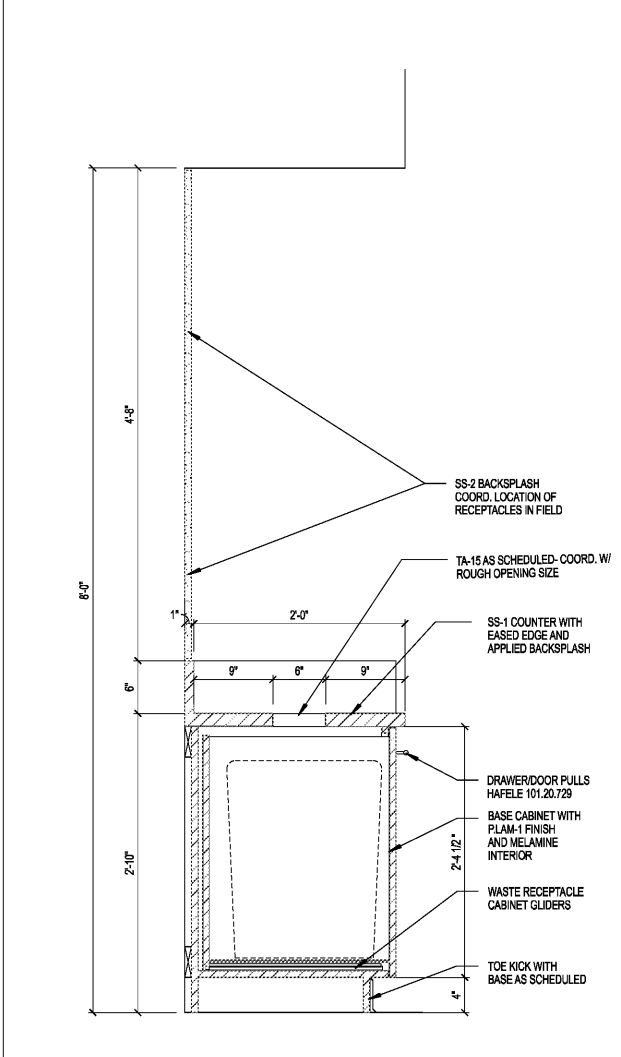
**1** CASEWORK SECTION 1 1/2"=1'-0"



**2** CASEWORK SECTION 1 1/2"=1'-0"



**3** CASEWORK SECTION 1 1/2"=1'-0"



**4** CASEWORK SECTION 1 1/2"=1'-0"

Order Plans @ WWW.LDLine.com