



THE WILSON GROUP
- ARCHITECTS -

PO BOX 5510 CHARLOTTE, NC 28299
704-331-5747 • www.twgarchitects.com

CIVIL ENGINEER
TALBERT, BRIGHT & ELLINGTON
3525 WHITEHALL PARK DRIVE, SUITE 210
CHARLOTTE, NC 28273
(704) 426-8070 FIRM NO.: C-1183

STRUCTURAL ENGINEER
STEWART
101 N. TRYON ST., SUITE 1400
CHARLOTTE, NC 28202
(704) 999-3523 FIRM NO.: C-1051

MECHANICAL, ELECTRICAL, PLUMBING &
FIRE PROTECTION ENGINEER
SABER ENGINEERING
2923 S. TRYON ST., SUITE 280
CHARLOTTE, NC 28203
(704) 373-0068 FIRM NO.: C-2130

LANDSCAPE ARCHITECT
URBAN DESIGN PARTNERS
1315-EE CENTRAL AVENUE
CHARLOTTE, NC 28205
(704) 334-3303 FIRM NO. C-TBD

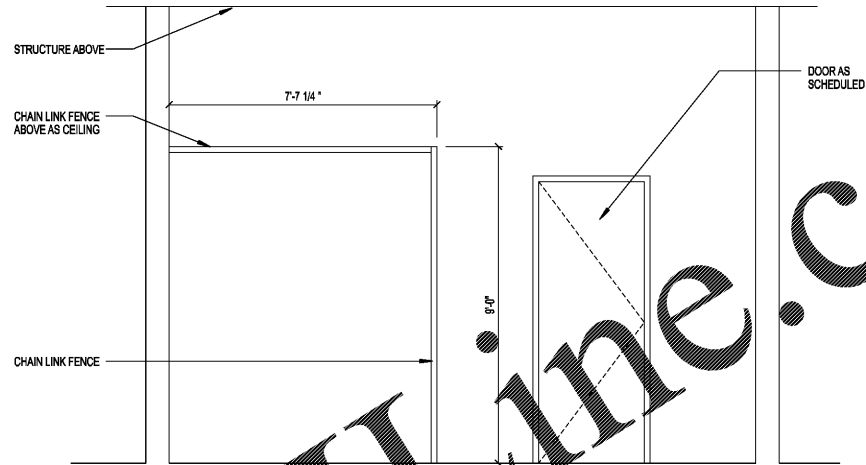
COMMUNICATIONS INFRASTRUCTURE
DB CONSULTING
246 LOVES FARM ROAD
BLACKSBURG, SC 29702
(704) 467-7228 FIRM NO. C-TBD

REVISIONS

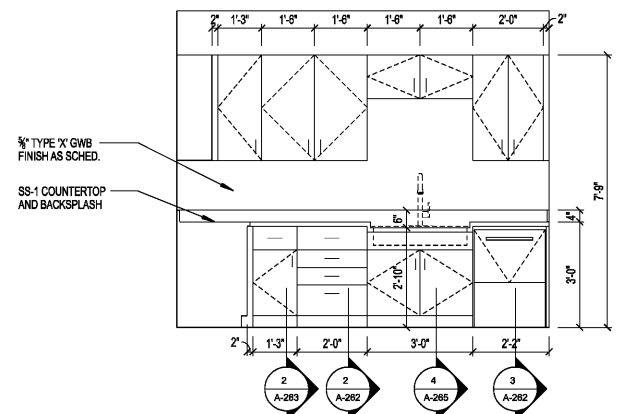
DATE DECEMBER 7, 2018
PROJECT NUMBER 9197-000

SHEET TITLE
**ENLARGED
INTERIOR
ELEVATIONS**

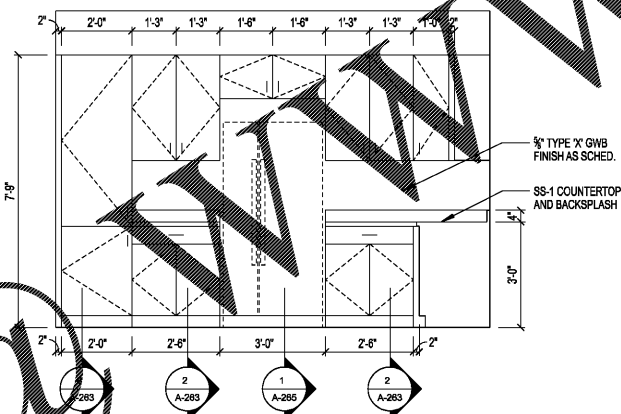
SHEET NUMBER
A-253



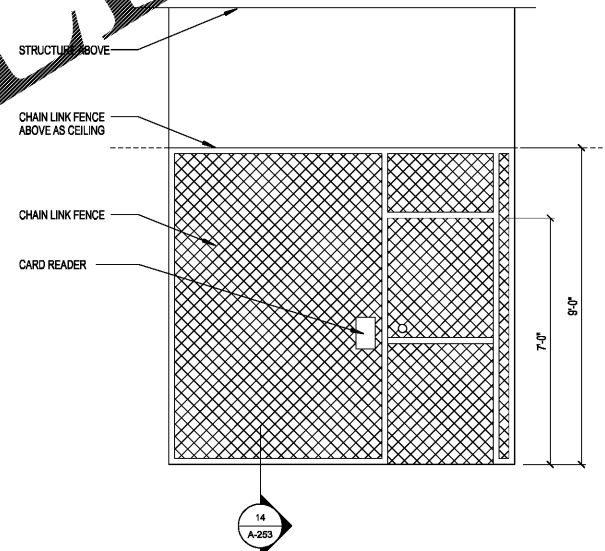
14 A-253 ENL. INTERIOR ELEVATION 1/2"=1'-0"



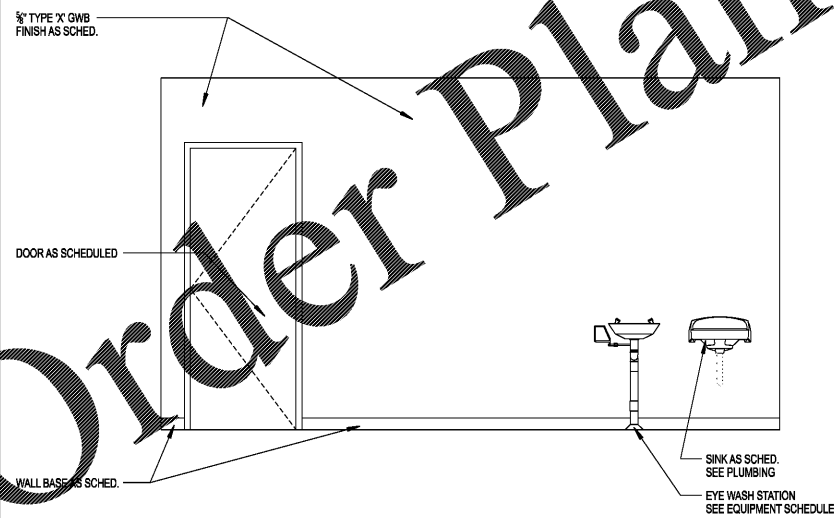
6 A-401 ENL. INTERIOR ELEVATION 1/2"=1'-0"



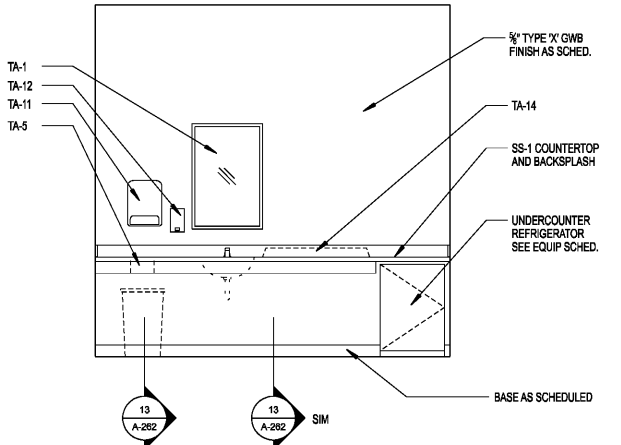
7 A-401 ENL. INTERIOR ELEVATION 1/2"=1'-0"



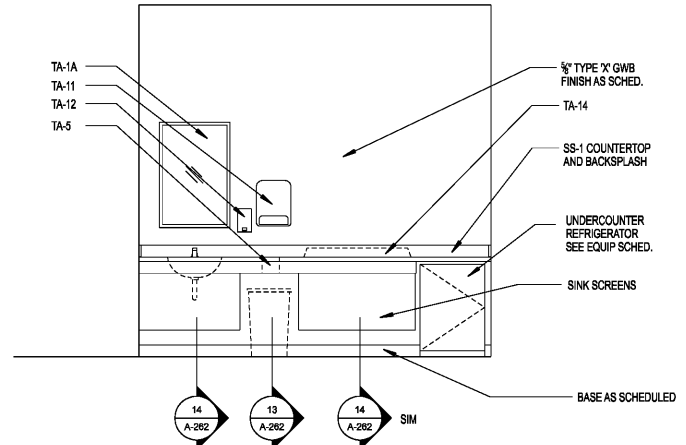
8 A-403 ENL. INTERIOR ELEVATION 1/2"=1'-0"



1 A-403 ENL. INTERIOR ELEVATION 1/2"=1'-0"



2 A-403 ENL. INTERIOR ELEVATION 1/2"=1'-0"



3 A-401 ENL. INTERIOR ELEVATION 1/2"=1'-0"

Order Plans