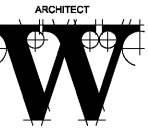


**WILSON AIR CENTER
NORTH TERMINAL**

CHARLOTTE-DORRIS
INTERNATIONAL ARCHITECTS
5327 MERRIS FIELD DRIVE
CHARLOTTE, NC 28203



THE WILSON GROUP
- ARCHITECTS -

PO BOX 5510 CHARLOTTE, NC 28299
704-331-9747 • www.thewilsongroup.com

CIVIL ENGINEER
TALBERT, BRIGHT & ELLINGTON
3525 WHITEHALL PARK DRIVE, SUITE 210
CHARLOTTE, NC 28273
(704) 428-6070 FIRM NO.: C-1183

STRUCTURAL ENGINEER
STEWART
101 N. TRYON ST., SUITE 1400
CHARLOTTE, NC 28202
(704) 999-3523 FIRM NO.: C-1051

MECHANICAL, ELECTRICAL, PLUMBING & FIRE PROTECTION ENGINEER
SABER ENGINEERING
2933 S. TRYON ST., SUITE 280
CHARLOTTE, NC 28203
(704) 373-0068 FIRM NO.: C-2130

LANDSCAPE ARCHITECT
URBAN DESIGN PARTNERS
1315-EE CENTRAL AVENUE
CHARLOTTE, NC 28205
(704) 334-3303 FIRM NO.: C-TBD

COMMUNICATIONS INFRASTRUCTURE
DB CONSULTING
246 LOVES FARM ROAD
BLACKSBURG, SC 29702
(704) 467-7228 FIRM NO.: C-TBD

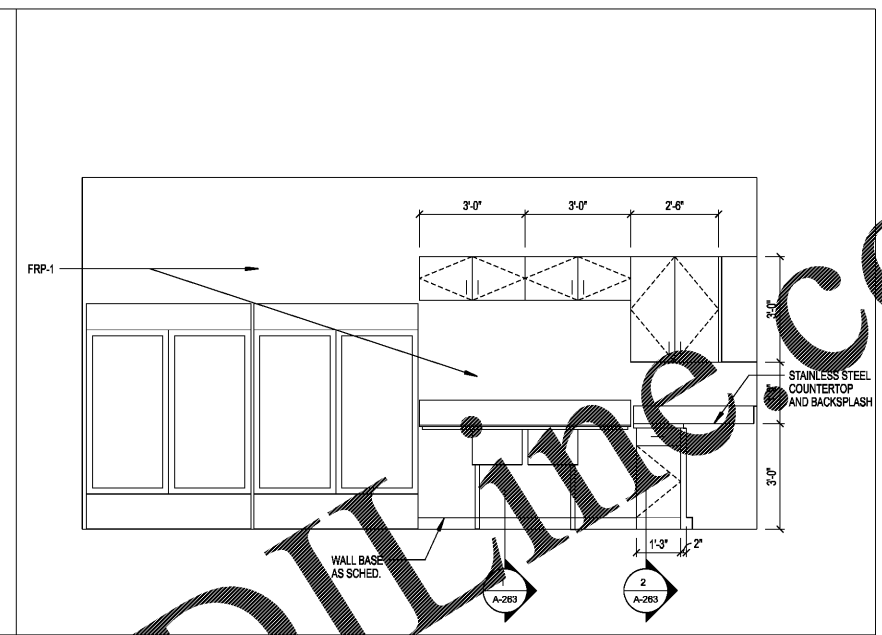
REVISIONS

| NO. | DATE | DESCRIPTION |
|-----|------|-------------|
| | | |
| | | |
| | | |

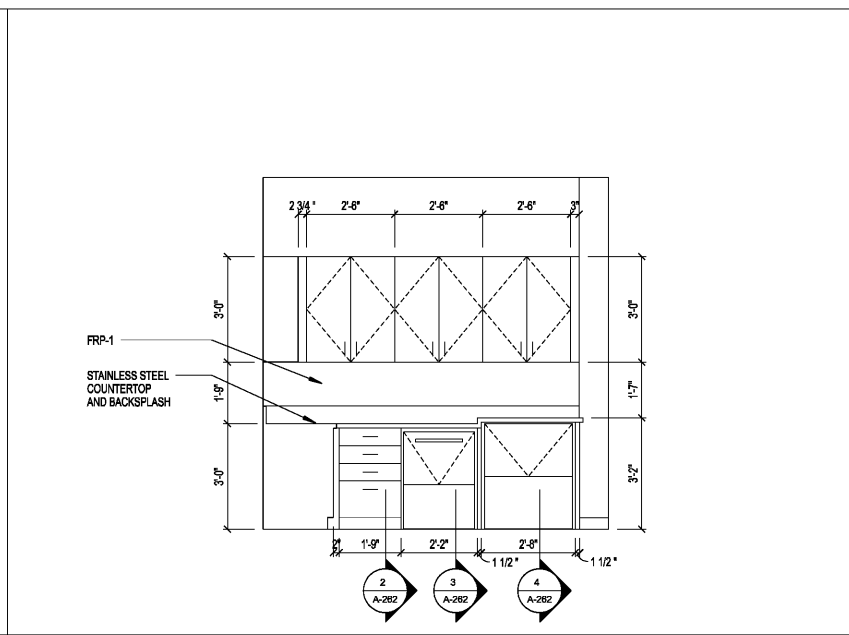
DATE: DECEMBER 7, 2018
PROJECT NUMBER: 9197-000

SHEET TITLE:
ENLARGED INTERIOR ELEVATIONS

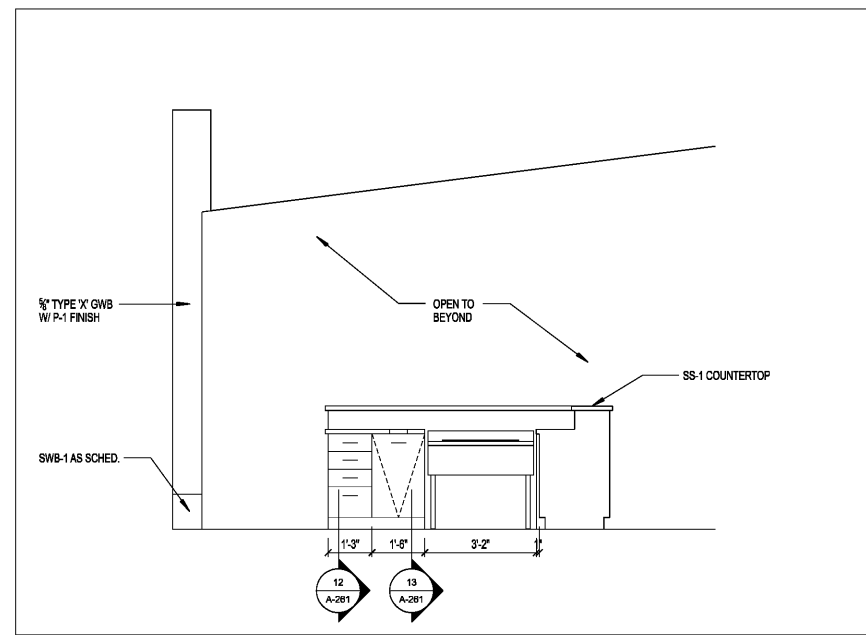
SHEET NUMBER:
A-251



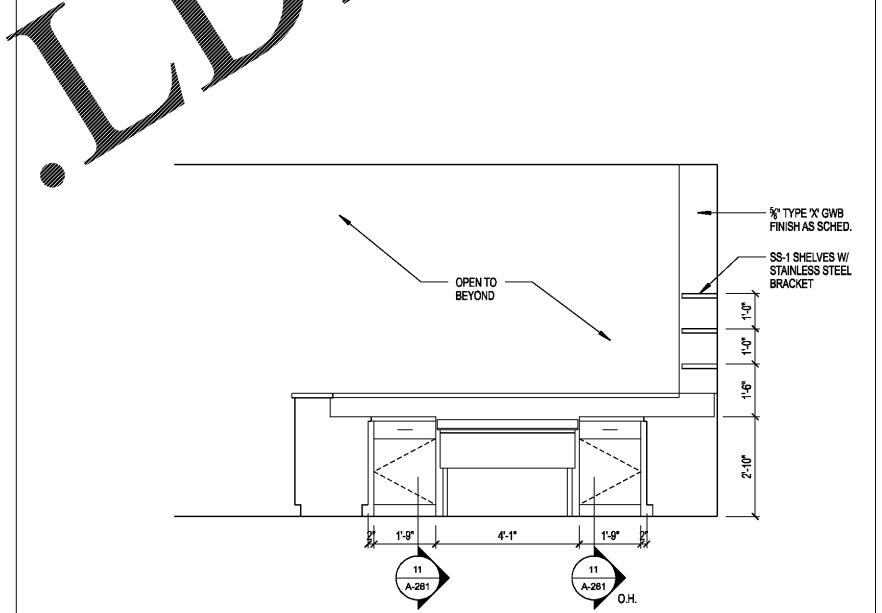
13 A-401 ENL. INTERIOR ELEVATION 1/2"=1'-0"



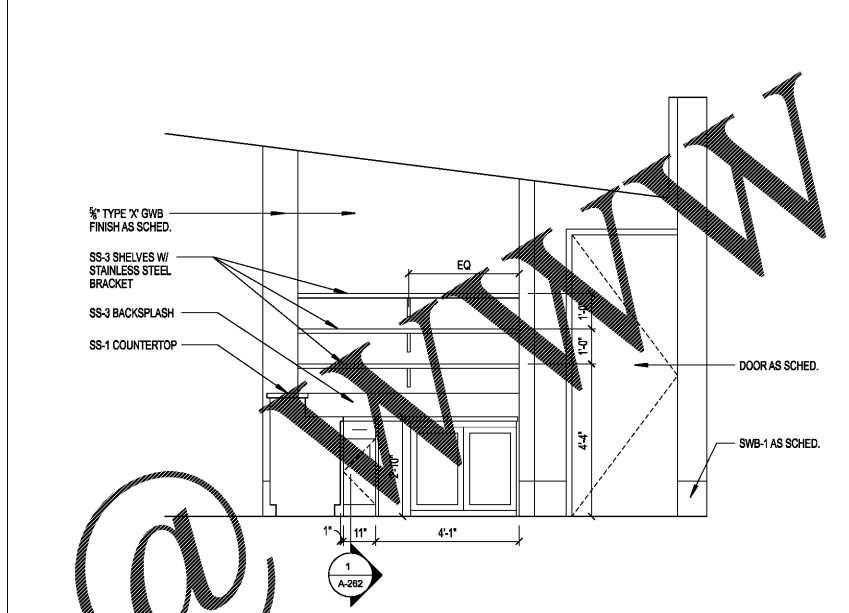
12 A-401 ENL. INTERIOR ELEVATION 1/2"=1'-0"



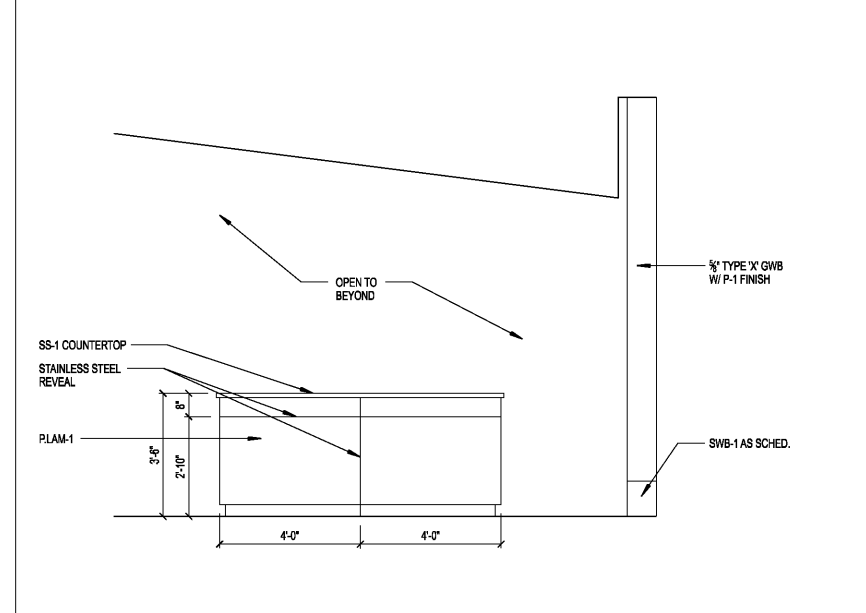
11 A-401 ENL. INTERIOR ELEVATION 1/2"=1'-0"



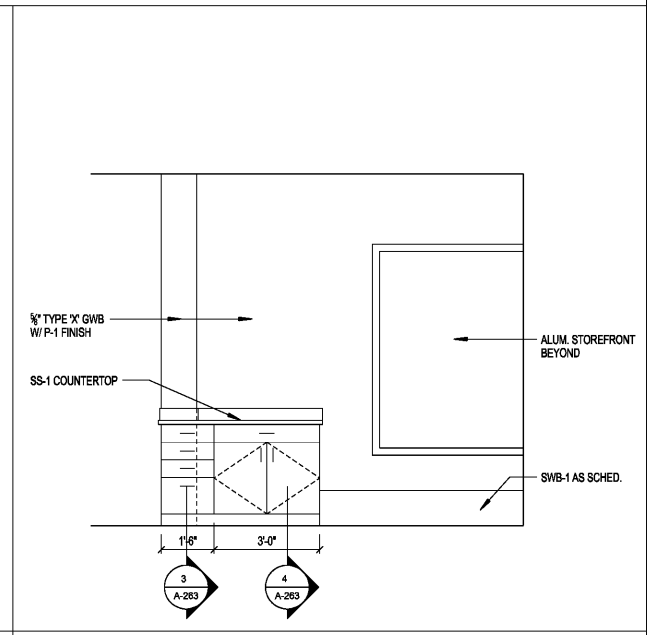
8 A-401 ENL. INTERIOR ELEVATION 1/2"=1'-0"



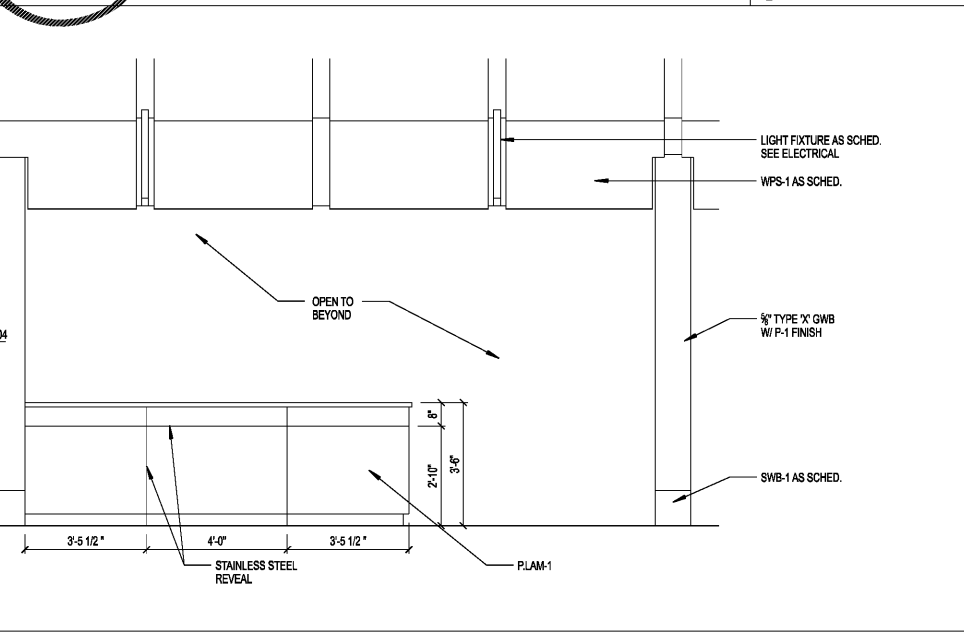
7 A-401 ENL. INTERIOR ELEVATION 1/2"=1'-0"



6 A-401 ENL. INTERIOR ELEVATION 1/2"=1'-0"



4 A-401 ENL. INTERIOR ELEVATION 1/2"=1'-0"



1 A-401 ENLARGED INTERIOR ELEVATION 1/2"=1'-0"

Order Plans @ www.LDOnline.com