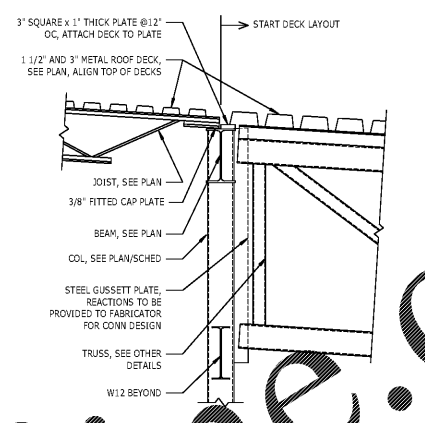
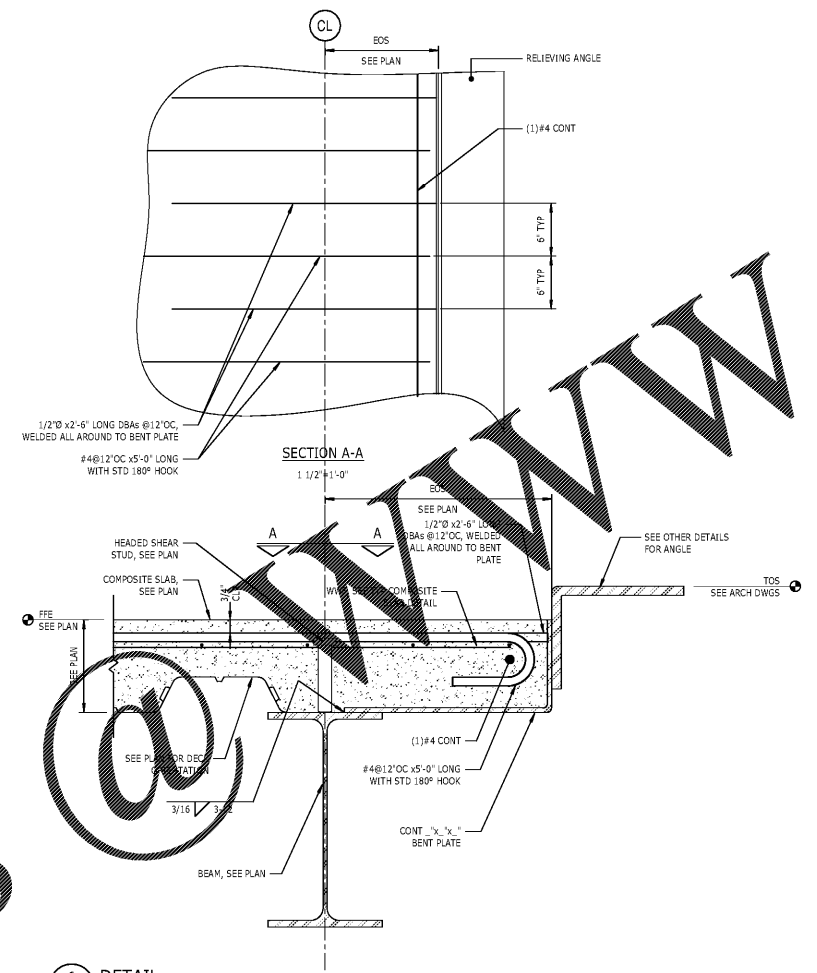


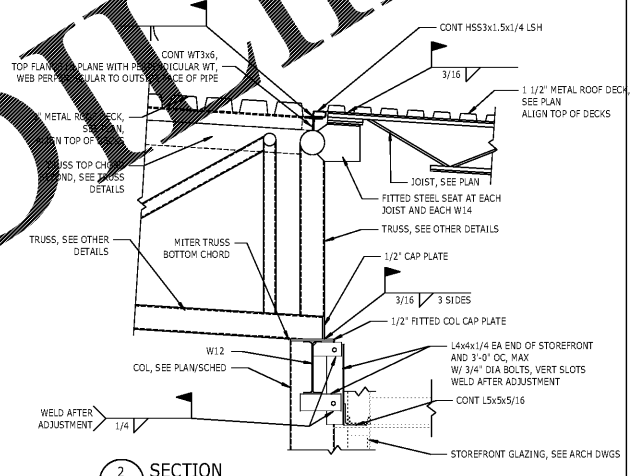
5 ROOF DRAG STRUT
1 1/2" = 1'-0"



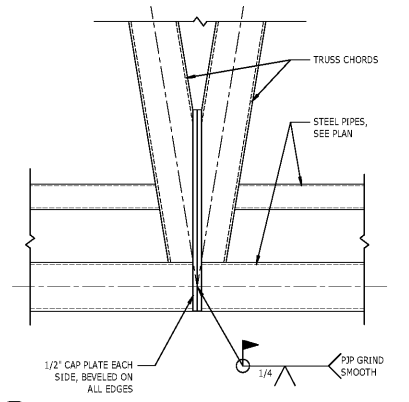
1 SECTION
S-522 NTS



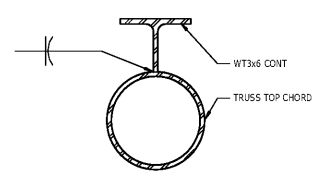
6 DETAIL
S-522 TYPICAL EDGE OF SLAB AT RELIEVING ANGLE
NTS



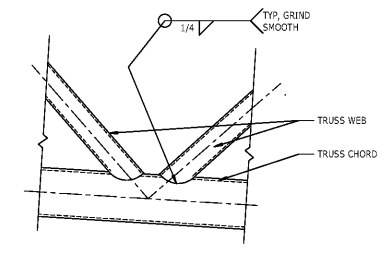
2 SECTION
S-522 NTS



3 DETAIL
S-522 NTS



8 DETAIL
S-522 NTS

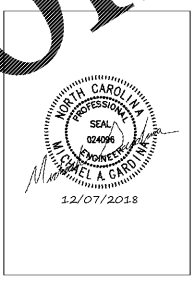


4 DETAIL
S-522 NTS

WILSON AIR CENTER

NORTH TERMINAL

HCDT F...
CHARLOTTE-DOUGLASS INTERNATIONAL AIRPORT
5327 MARKET FIELD DRIVE
CHARLOTTE, NC 28209



ARCHITECT
THE WILSON GROUP

PO BOX 5510
CHARLOTTE, NC 28299
(704) 331-9747

CIVIL ENGINEER
TALBERT, BRIGHT & ELLINGTON

3525 WHITEHALL PARK DRIVE, SUITE 210
CHARLOTTE, NC 28203
(704) 426-6070 FIRM NO.: C-1163

STRUCTURAL ENGINEER
STEWART

101 N. TRYON ST., SUITE 1400
CHARLOTTE, NC 28202
(704) 334-3523 FIRM NO.: C-1051

MECHANICAL, ELECTRICAL, PLUMBING,
AND FIRE PROTECTION ENGINEER
SABER ENGINEERING

2923 S. TRYON ST., SUITE 280
CHARLOTTE, NC 28203
(704) 373-0069 FIRM NO.: C-2138

LANDSCAPE ARCHITECT
URBAN DESIGN PARTNERS

1318-EE CENTRAL AVENUE
CHARLOTTE, NC 28205
(704) 334-3303 FIRM NO. C-TBD

COMMUNICATIONS INFRASTRUCTURE
DB CONSULTING

246 LOVES FARM ROAD
BLACKSBURG, SC 29702
(704) 497-7226 FIRM NO. C-TBD

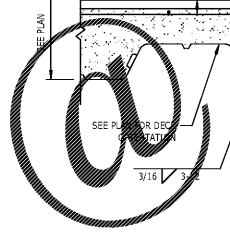
REVISIONS

DATE: DECEMBER 7, 2018
PROJECT NUMBER: 9197-000

SHEET TITLE:
ROOF FRAMING SECTIONS

SHEET NUMBER:
S-522

Order Plans



LDOnline.com