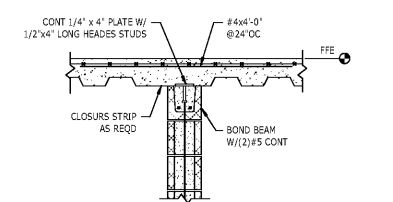
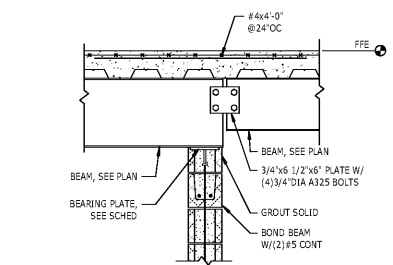


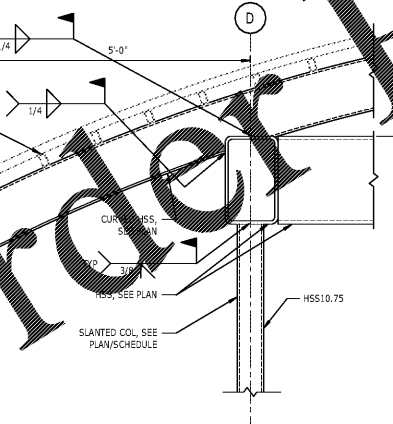
13 DETAIL  
S-512 3/4" = 1'-0"



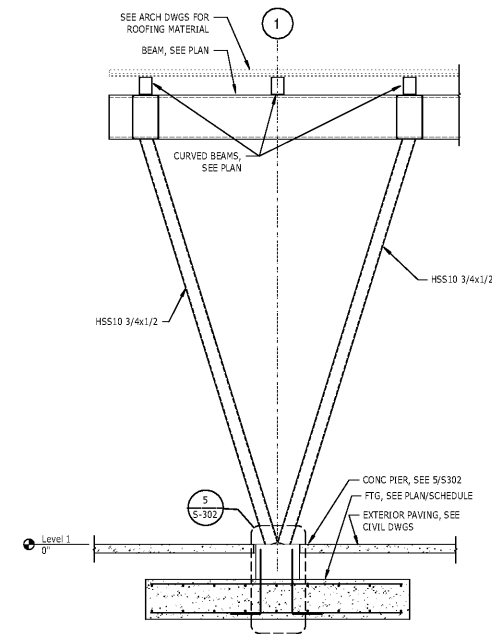
14 SECTION  
S-512 3/4" = 1'-0"



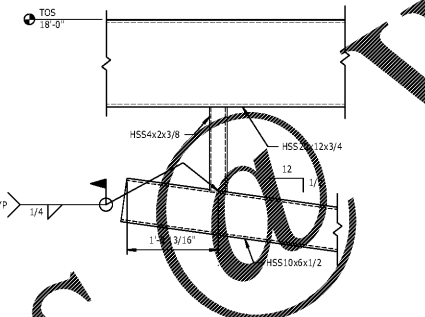
15 SECTION  
S-512 3/4" = 1'-0"



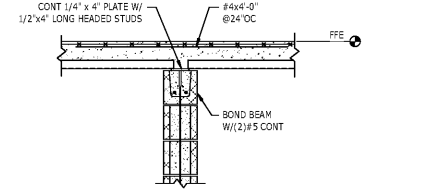
16 SECTION  
S-512 3/4" = 1'-0"



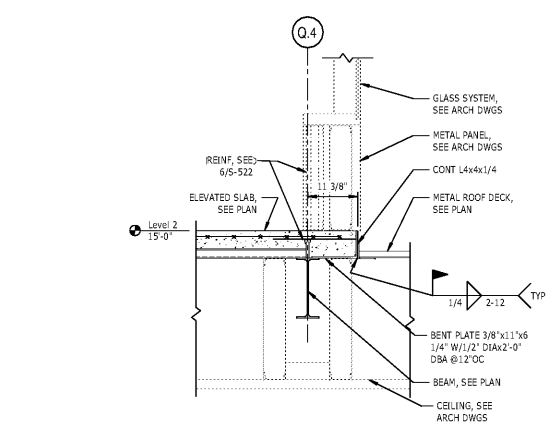
9 SECTION  
S-512 3/8" = 1'-0"



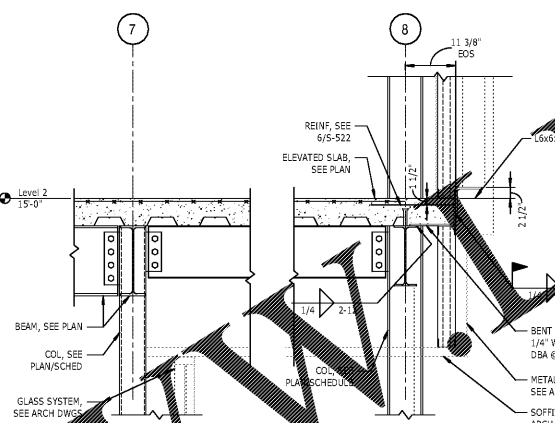
11 SECTION  
S-512 3/4" = 1'-0"



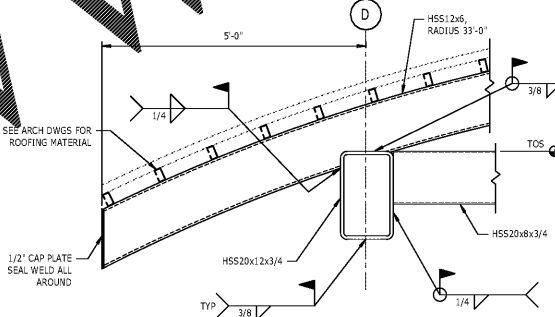
12 SECTION  
S-512 3/4" = 1'-0"



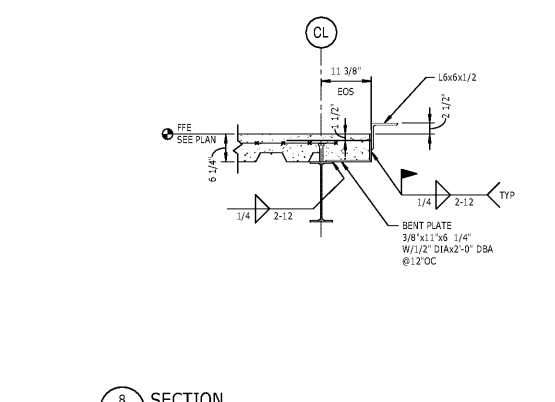
5 SECTION  
S-512 3/4" = 1'-0"



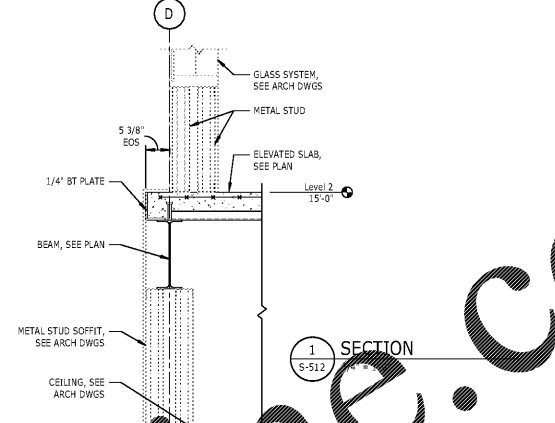
7 SECTION  
S-512 3/4" = 1'-0"



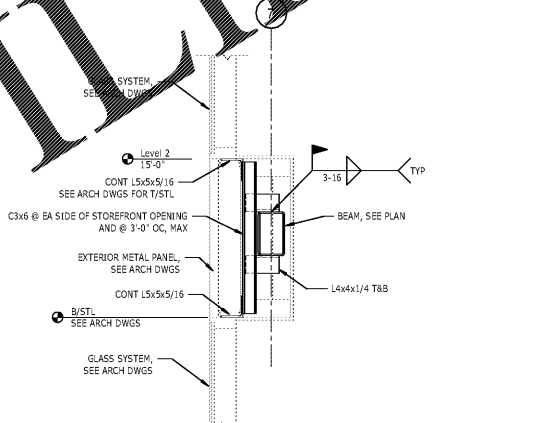
7 SECTION  
S-512 3/4" = 1'-0"



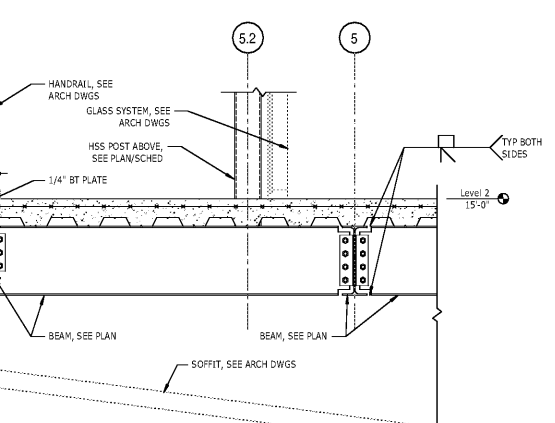
8 SECTION  
S-512 3/4" = 1'-0"



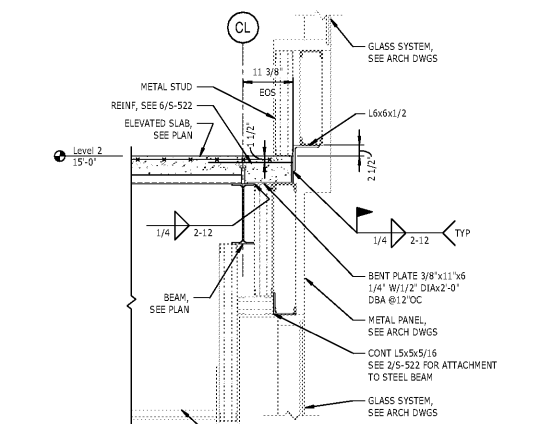
1 SECTION  
S-512 3/4" = 1'-0"



2 SECTION  
S-512 3/4" = 1'-0"



3 SECTION  
S-512 3/4" = 1'-0"

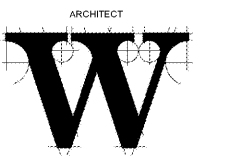


4 SECTION  
S-512 3/4" = 1'-0"

WILSON AIR CENTER

NORTH TERMINAL

HCDT F...  
CHA...  
INT...  
5327 M...  
CHARL...  
NC 28202



ARCHITECT  
**THE WILSON GROUP**

PO BOX 6510  
CHARLOTTE, NC 28299  
(704) 331-9747  
  
CIVIL ENGINEER  
**TALBERT, BRIGHT & ELLINGTON**

3625 WHITEHALL PARK DRIVE, SUITE 210  
CHARLOTTE, NC 28273  
(704) 426-6070 FIRM NO.: C-1163

STRUCTURAL ENGINEER  
**STEWART**

101 N. TRYON ST., SUITE 1400  
CHARLOTTE, NC 28205  
(704) 334-3623 FIRM NO.: C-1051  
  
MECHANICAL, ELECTRICAL, PLUMBING,  
AND FIRE PROTECTION ENGINEER  
**SABER ENGINEERING**

2923 S. TRYON ST., SUITE 280  
CHARLOTTE, NC 28203  
(704) 373-0069 FIRM NO.: C-2138  
  
LANDSCAPE ARCHITECT  
**URBAN DESIGN PARTNERS**

1318-ER CENTRAL AVENUE  
CHARLOTTE, NC 28205  
(704) 334-3303 FIRM NO. C-TBD  
  
COMMUNICATIONS INFRASTRUCTURE  
**DB CONSULTING**

246 LOVES FARM ROAD  
BLACKSBURG, NC 28702  
(704) 497-7228 FIRM NO. C-TBD

REVISIONS  
  
DATE: DECEMBER 7, 2018  
PROJECT NUMBER: 9197-000

SHEET TITLE:  
**FLOOR FRAMING SECTIONS**

SHEET NUMBER:  
**S-512**