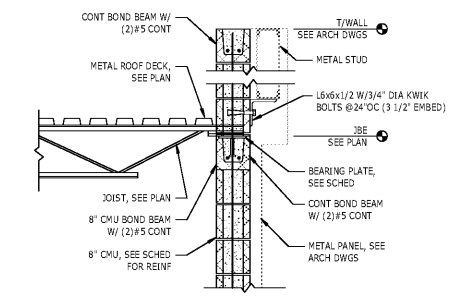
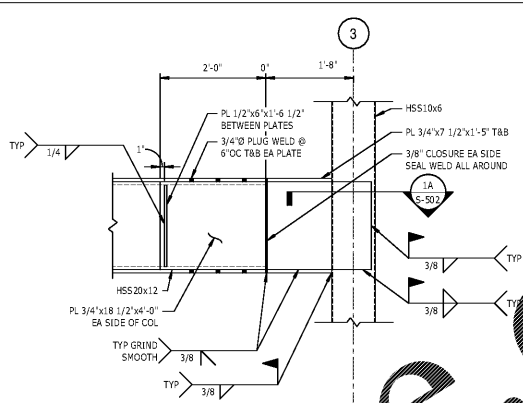


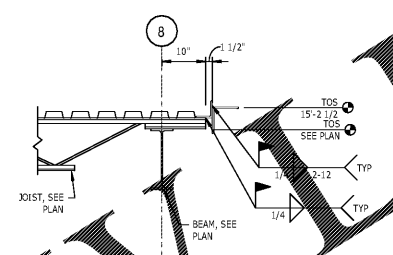
5 SECTION
S-502 3/4" = 1'-0"



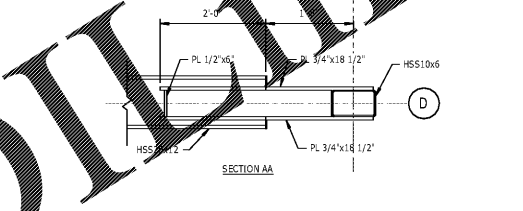
1 SECTION
S-502 3/4" = 1'-0"



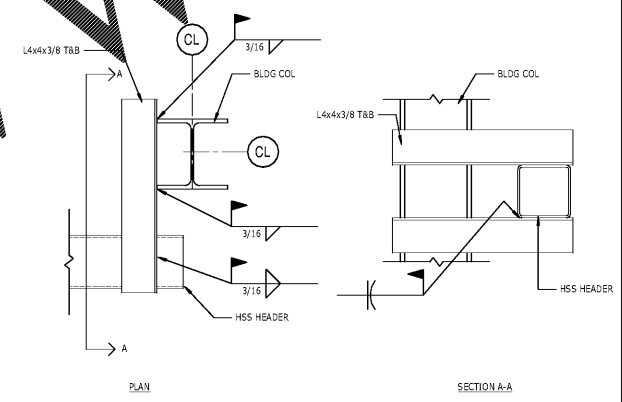
6 SECTION
S-502 3/4" = 1'-0"



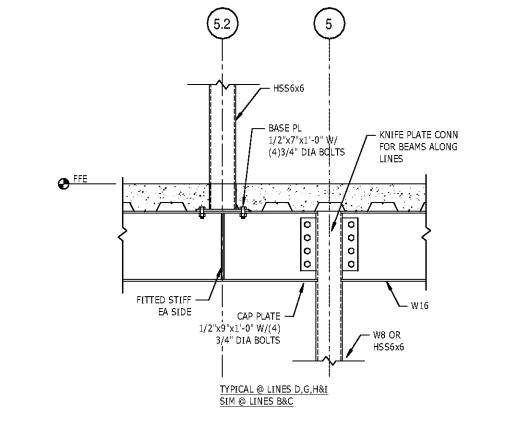
1 SECTION
S-502 3/4" = 1'-0"



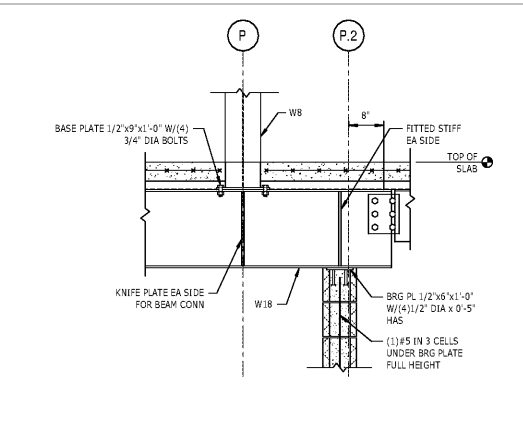
7 ECCENTRIC HEADER CONNECTION
S-502 1 1/2\"/>



3 SECTION
S-502 3/4\"/>



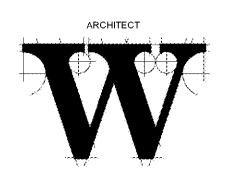
4 SECTION
S-502 3/4\"/>



WILSON AIR CENTER

NORTH TERMINAL

HCDT F...
CHARLOTTE-DOUGL...
INTERNATIONAL AIRPORT
5327 MARKET FIELD DRIVE
CHARLOTTE, NC 28209



ARCHITECT
THE WILSON GROUP

PO BOX 5510
CHARLOTTE, NC 28299
(704) 331-9747

CIVIL ENGINEER

TALBERT, BRIGHT & ELLINGTON

3525 WHITEHALL PARK DRIVE, SUITE 210
CHARLOTTE, NC 28273
(704) 426-6070 FIRM NO.: C-1163

STRUCTURAL ENGINEER

STEWART

101 N. TRYON ST., SUITE 1400
CHARLOTTE, NC 28202
(704) 334-3523 FIRM NO.: C-1051

MECHANICAL, ELECTRICAL, PLUMBING,
AND FIRE PROTECTION ENGINEER

SABER ENGINEERING

2923 S. TRYON ST., SUITE 280
CHARLOTTE, NC 28203
(704) 373-0069 FIRM NO.: C-2138

LANDSCAPE ARCHITECT

URBAN DESIGN PARTNERS

1318-EE CENTRAL AVENUE
CHARLOTTE, NC 28205
(704) 334-3303 FIRM NO. C-TBD

COMMUNICATIONS INFRASTRUCTURE

DB CONSULTING

246 LOVES FARM ROAD
BLACKSBURG, SC 29702
(704) 497-7226 FIRM NO. C-TBD

REVISIONS

DATE: DECEMBER 7, 2018
PROJECT NUMBER: 9197-000

SHEET TITLE:
TYPICAL STEEL FRAMING DETAILS

SHEET NUMBER:
S-502

Order Plans @ WWW.WWWDIline.com