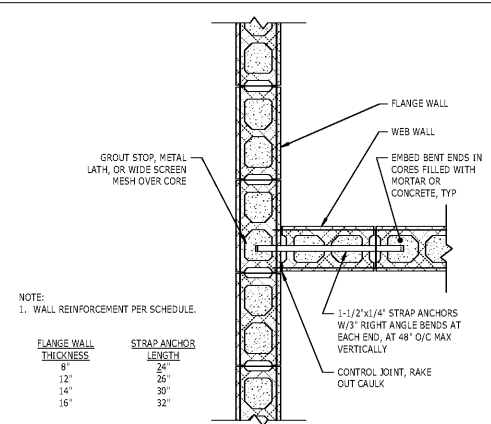
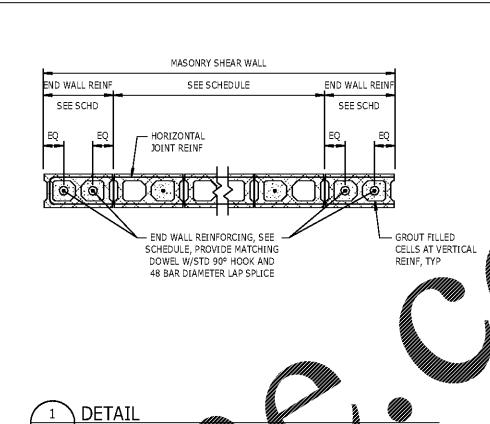


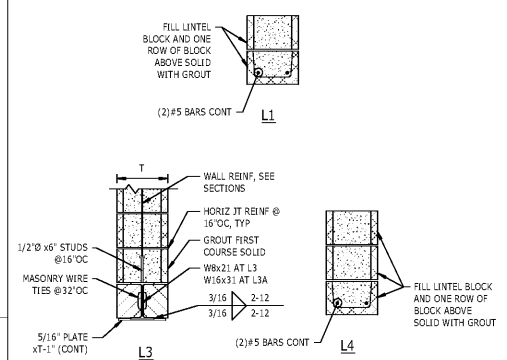
5 DETAIL
 S-403 WALL INTERSECTION AT BEARING/NON-LOAD-BEARING WALLS
 NTS



4 DETAIL
 S-403 WALL INTERSECTION AT BEARING WALLS
 NTS

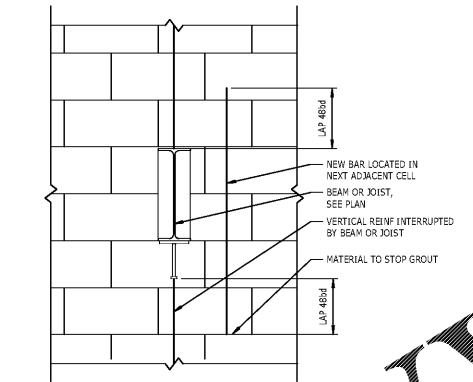


1 DETAIL
 S-403 MASONRY SHEAR WALL
 NTS



10 DETAIL
 S-403 CMU WALL OPENING LINTEL SCHEDULE
 NTS

NOTES:
 1. FOR LINTELS IN CMU WALLS, MATCH CORRESPONDING WALL WIDTH.
 2. 1" MINIMUM CLEAR SPACE SHALL BE PROVIDED AROUND ALL REINFORCING.
 3. WALL ABOVE LINTEL SHALL BE REINFORCED VERTICALLY SIMILAR TO WALL ON EITHER SIDE OF LINTEL.
 4. HORIZONTAL REINFORCING SHALL EXTEND BEYOND EDGE OF OPENING PER LINTEL/JAMB REINFORCING DETAILS THIS SHEET.
 5. LINTEL/OVER OPENINGS NOTE SHOWN ON PLAN SHALL BE AS FOLLOWS (INTERIOR OR EXTERIOR WALLS):
 6. FOR OPENINGS UP TO 5'-0", PROVIDE TYPE L1 LINTEL WITH 8" BEARING.
 7. FOR OPENINGS 5'-1" TO 10'-0" IN CMU WALLS, PROVIDE TYPE L2 LINTEL WITH 8" BEARING.
 8. FOR OPENINGS 10'-1" TO 16'-0" IN CMU WALLS, PROVIDE TYPE L3A LINTEL WITH 8" BEARING.
 9. ALL EXTERIOR LINTELS SHALL BE HOT-DIPPED GALVANIZED STEEL FABRICATOR TO INSTALL AND SETTING TO BE RESPONSIBLE FOR FABRICATION.
 10. STEEL FABRICATOR TO INSTALL AND SETTING TO BE RESPONSIBLE FOR FABRICATION. COORDINATE LOCATION AND SETTING WITH MASONRY CONTRACTOR.



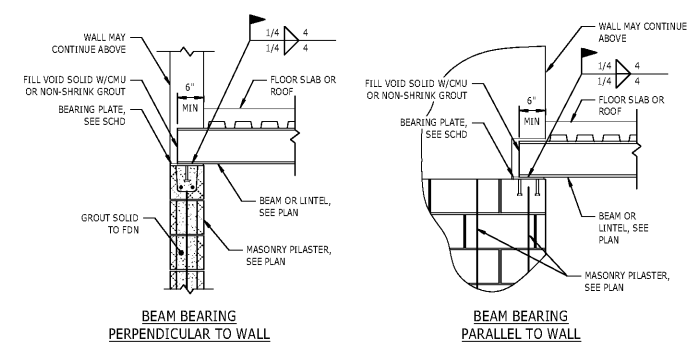
6 DETAIL
 S-403 REINFORCING INTERRUPTED BY BEAM OR JOIST
 NTS

MASONRY WALL SCHEDULE

SPACED WALL HEIGHT/SHEAR WALL TYPE	VERTICAL REINFORCING	VERTICAL END WALL REINFORCING		HORIZONTAL REINFORCING
		8" CMU	END WALL	
EXTERIOR, BEARING, AND NON-CANTILEVERED WALLS	UP TO 17'-0"	#6@24" OC	(1)#6	9 GA LADDER TYPE @16" OC
SW-A	#6@24" OC	(2)#6		9 GA LADDER TYPE @16" OC
SHEAR WALLS	SW-B	#6@16" OC	(2)#6	9 GA LADDER TYPE @16" OC
INTERIOR NON-LOAD BEARING WALLS	17'-0"	#6@48" OC	(1)#6	9 GA LADDER TYPE @16" OC

2 DETAIL
 S-403 MASONRY WALL SCHEDULE
 NTS

NOTES:
 1. PROVIDE DOWELS EXTENDING INTO FOUNDATIONS FOR ALL VERTICAL REINFORCING BARS. SIZE AND LOCATION OF DOWELS TO MATCH VERTICAL REINFORCING.
 2. ALL NON-LOAD BEARING, NON-SHEAR WALLS, INTERIOR PARTITION WALLS SHALL SPAN EITHER VERTICALLY OR HORIZONTALLY. SEE GUIDELINES BELOW FOR HORIZONTAL AND VERTICAL SPANNING WALLS IN DETAILS.
 3. REFER TO PLAN FOR SHEAR WALL LOCATIONS. ENDS OF SHEAR WALLS OCCUR AT WALL INTERRUPTIONS DUE TO COLUMNS, WINDOWS, DOORS, END OF WALLS, CONTROL JOINTS, EXPANSION JOINTS, ETC. REFER TO DETAILS FOR END OF WALL REINFORCING.
 4. PROVIDE (2) #5 BARS IN BOND BEAM AT EACH FLOOR LEVEL AT TOPS OF WALLS AND AS INDICATED IN SECTIONS AND SCHEDULES.
 5. PROVIDE (2) #5 BARS IN BOND BEAMS AT EACH FLOOR LEVEL AT TOPS OF WALLS AND AS INDICATED IN SECTIONS AND SCHEDULES.
 6. ALL MASONRY TO BE CONSTRUCTED IN RUNNING BOND BEAM PATTERN WITH INTERLOCKING CORNERS.



3 DETAIL
 S-403 STEEL BEAM BEARING DETAILS
 NTS

BEARING PLATE SCHEDULE

MARK	THICKNESS	WIDTH	LENGTH	# OF #5" LONG HEAD-ED STUDS
BP1	1/2"	7 1/2"	10"	NA
BP2	3/8"	7 1/2"	12"	NA
BP3	5/8"	7 1/2"	18"	NA
BP4	1/2"	5"	10"	NA
BP5	5/8"	7"	10"	NA
BP6	1/2"	7 1/2"	10"	NA
BP7	5/8"	7"	10"	NA
BP8	1/2"	7"	13"	NA
BP9	5/8"	7 1/2"	22"	NA
BP10	1 1/4"	7"	13"	NA
CASE 1	1/2"	7"	7"	(2)1/2"Ø
CASE 2	1/2"	11"	11"	(4)1/2"Ø
CASE 3	3/4"	7"	12"	(4)1/2"Ø
CASE 4	3/4"	11"	16"	(4)1/2"Ø

CASE 1 = AT JOIST, BEAMS NOT SUPPORTING OTHER BEAMS, AND LINTELS BEARING ON 8" WALLS.
 CASE 2 = AT JOIST, BEAMS NOT SUPPORTING OTHER BEAMS, AND LINTELS BEARING ON 12" WALLS.
 CASE 3 = AT BEAMS SUPPORTING JOISTS OR OTHER BEAMS BEARING ON 8" WALLS.
 CASE 4 = AT BEAMS SUPPORTING JOISTS OR OTHER BEAMS BEARING ON 12" WALLS.

Order Plans @ www.wildline.com