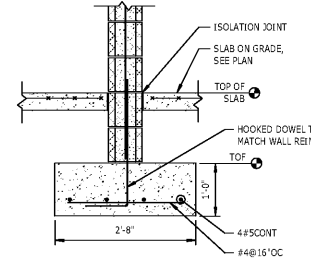
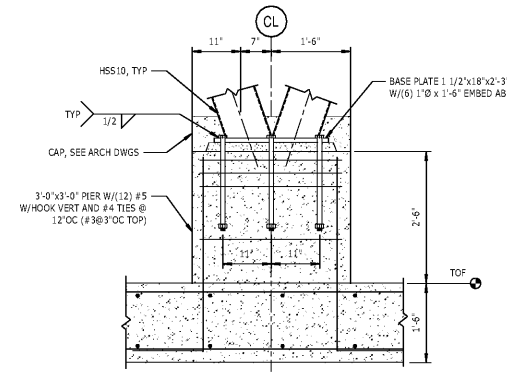


13 EXTERIOR COLUMN
S-302 3/4" = 1'-0"

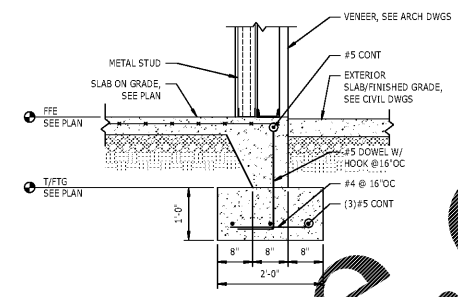
NOTES:
1. COAT BASE PLATE, ANCHOR BOLTS, AND COLUMN BELOW SLAB ON GRADE WITH AN APPROVED ASPHALT PAINT.



9 SECTION
S-302 3/4" = 1'-0"

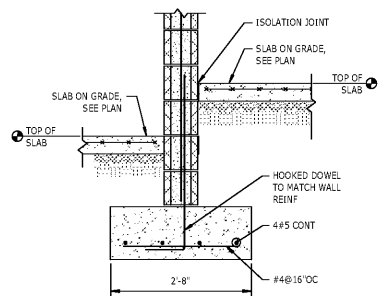


5 SECTION
S-302 3/4" = 1'-0"

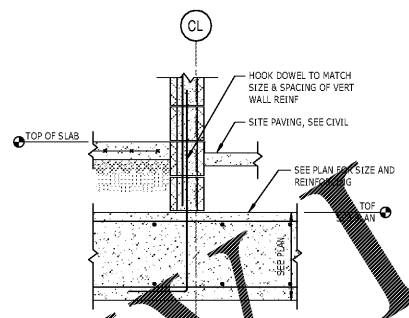


1 SECTION
S-302 3/4" = 1'-0"

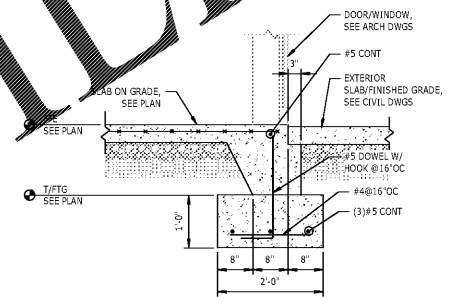
NTS



10 SECTION
S-302 3/4" = 1'-0"

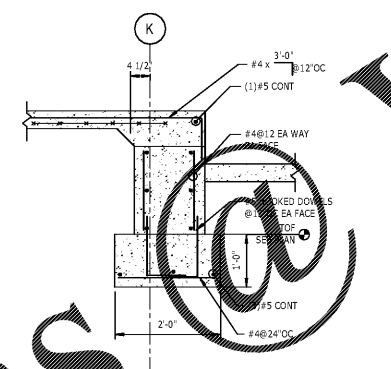


6 SECTION
S-302 3/4" = 1'-0"

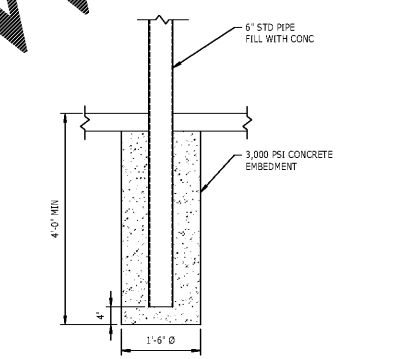


2 SECTION
S-302 3/4" = 1'-0"

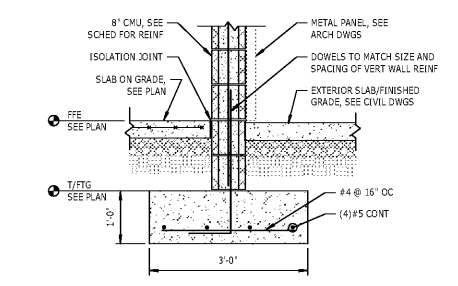
NTS



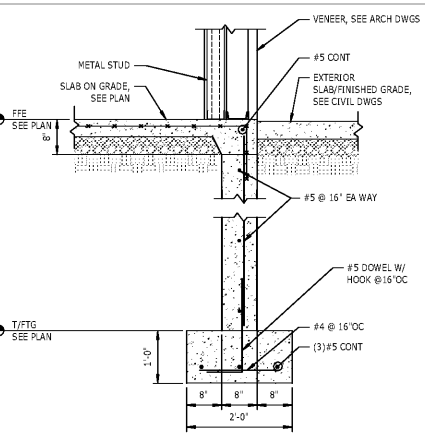
11 SECTION
S-302 3/4" = 1'-0"



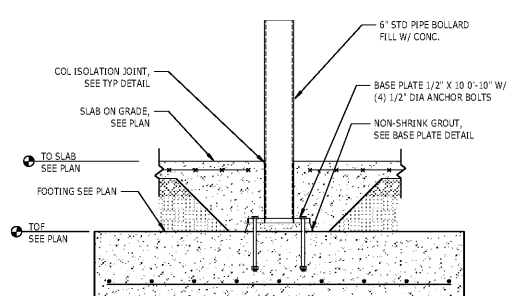
7 DETAIL
S-302 3/4" = 1'-0"



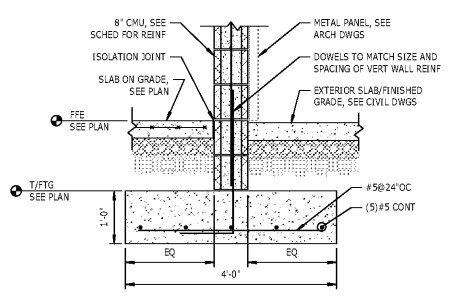
3 SECTION
S-302 3/4" = 1'-0"



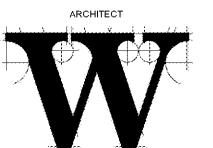
12 Detail at Drop Ftng
S-302 3/4" = 1'-0"



8 BOLLARD
S-302 3/4" = 1'-0"



4 SECTION
S-302 - 04
NTS



ARCHITECT
THE WILSON GROUP
PO BOX 5510
CHARLOTTE, NC 28299
(704) 331-9747

CIVIL ENGINEER
TALBERT, BRIGHT & ELLINGTON
3525 WHITEHALL PARK DRIVE, SUITE 210
CHARLOTTE, NC 28273
(704) 426-6070 FIRM NO. C-1163

STRUCTURAL ENGINEER
STEWART
101 N. TRYON ST., SUITE 1400
CHARLOTTE, NC 28202
(704) 334-3523 FIRM NO. C-1051

MECHANICAL, ELECTRICAL, PLUMBING,
AND FIRE PROTECTION ENGINEER
SABER ENGINEERING
2923 S. TRYON ST., SUITE 280
CHARLOTTE, NC 28203
(704) 373-0066 FIRM NO. C-2138

LANDSCAPE ARCHITECT
URBAN DESIGN PARTNERS
1318-ER CENTRAL AVENUE
CHARLOTTE, NC 28205
(704) 334-3303 FIRM NO. C-TBD

COMMUNICATIONS INFRASTRUCTURE
DB CONSULTING
246 LOVES FARM ROAD
BLACKSBURG, VA 20102
(704) 497-7228 FIRM NO. C-TBD

REVISIONS

DATE: DECEMBER 7, 2018
PROJECT NUMBER: 9197-000

SHEET TITLE:
FOUNDATION SECTIONS

SHEET NUMBER:
S-302

Order Plans

WWW.LDILine.com