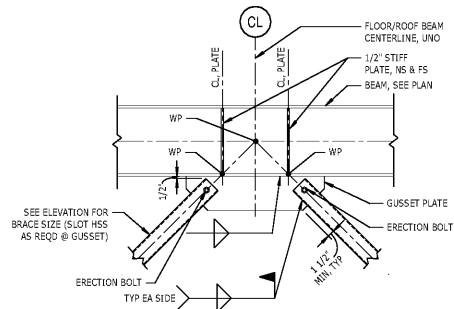
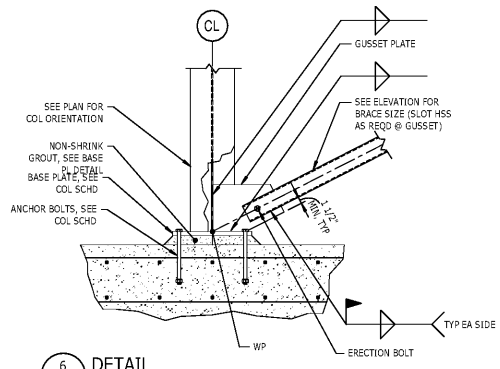


Order Plans



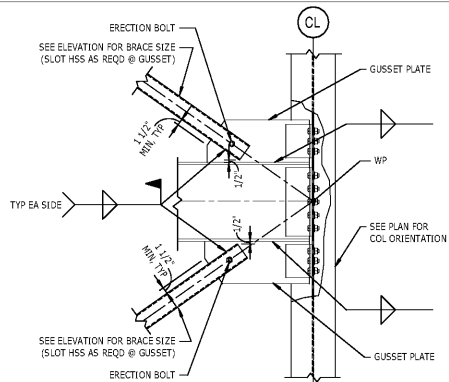
**11** DETAIL  
3/4" = 1'-0"  
S-201

NOTES:  
1. FABRICATOR SHALL DESIGN ALL BEAM TO COLUMN CONNECTIONS, GUSSET PLATES, AND WELDS WITHIN VERTICAL FRAME TO SUPPORT THE HORIZONTAL AND VERTICAL COMPONENTS OF THE BRACE FORCE PLUS THE BEAM REACTION SHOWN ON THE ELEVATION. ALLOWABLE STRESS INCREASES OR LOAD REDUCTIONS ARE NOT PERMITTED.  
2. "WP" INDICATES WORK POINT FOR MEMBER CENTROIDS.



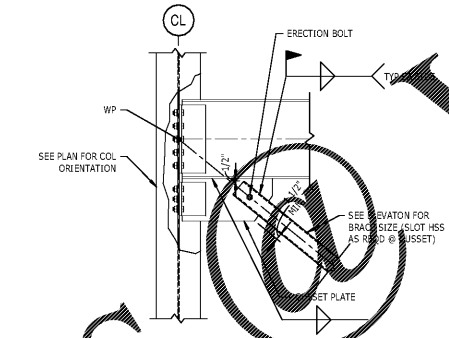
**6** DETAIL  
3/4" = 1'-0"  
S-201

NOTES:  
1. FABRICATOR SHALL DESIGN ALL BEAM TO COLUMN CONNECTIONS, GUSSET PLATES, AND WELDS WITHIN VERTICAL FRAME TO SUPPORT THE HORIZONTAL AND VERTICAL COMPONENTS OF THE BRACE FORCE PLUS THE BEAM REACTION SHOWN ON THE ELEVATION. ALLOWABLE STRESS INCREASES OR LOAD REDUCTIONS ARE NOT PERMITTED.



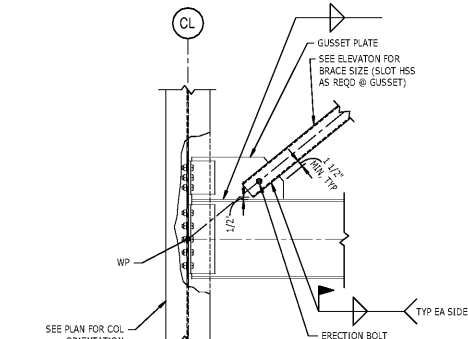
**7** DETAIL  
3/4" = 1'-0"  
S-201

NOTES:  
1. FABRICATOR SHALL DESIGN ALL BEAM TO COLUMN CONNECTIONS, GUSSET PLATES, AND WELDS WITHIN VERTICAL FRAME TO SUPPORT THE HORIZONTAL AND VERTICAL COMPONENTS OF THE BRACE FORCE PLUS THE BEAM REACTION SHOWN ON THE ELEVATION. ALLOWABLE STRESS INCREASES OR LOAD REDUCTIONS ARE NOT PERMITTED.



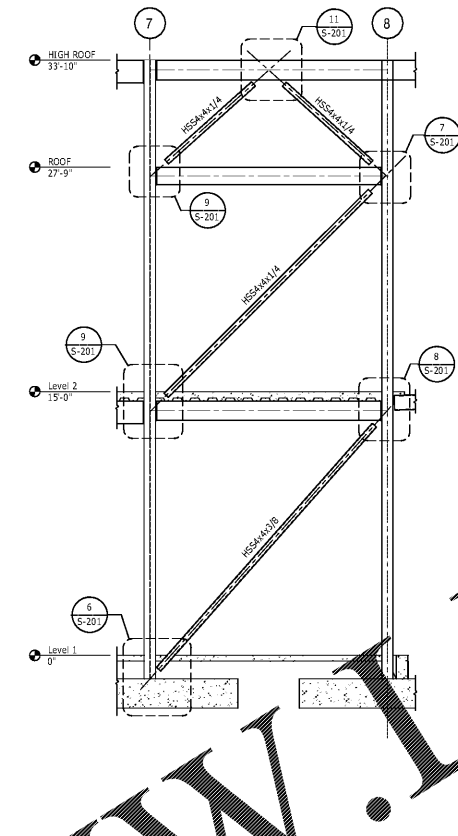
**8** DETAIL  
3/4" = 1'-0"  
S-201

NOTES:  
1. FABRICATOR SHALL DESIGN ALL BEAM TO COLUMN CONNECTIONS, GUSSET PLATES, AND WELDS WITHIN VERTICAL FRAME TO SUPPORT THE HORIZONTAL AND VERTICAL COMPONENTS OF THE BRACE FORCE PLUS THE BEAM REACTION SHOWN ON THE ELEVATION. ALLOWABLE STRESS INCREASES OR LOAD REDUCTIONS ARE NOT PERMITTED.



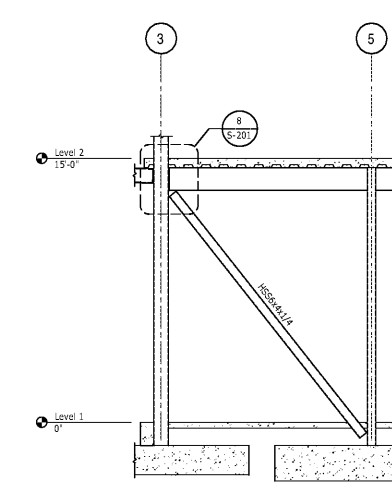
**9** DETAIL  
3/4" = 1'-0"  
S-201

NOTES:  
1. FABRICATOR SHALL DESIGN ALL BEAM TO COLUMN CONNECTIONS, GUSSET PLATES, AND WELDS WITHIN VERTICAL FRAME TO SUPPORT THE HORIZONTAL AND VERTICAL COMPONENTS OF THE BRACE FORCE PLUS THE BEAM REACTION SHOWN ON THE ELEVATION. ALLOWABLE STRESS INCREASES OR LOAD REDUCTIONS ARE NOT PERMITTED.



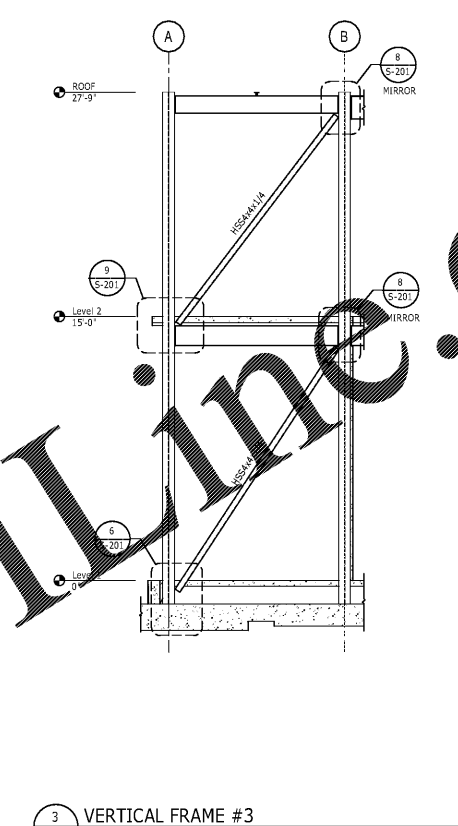
**4** VERTICAL FRAME #4  
1/4" = 1'-0"  
S-201

NOTE:  
1. FRAME MEMBER FORCES TO BE PROVIDED TO FABRICATOR FOR CONNECTION DESIGN



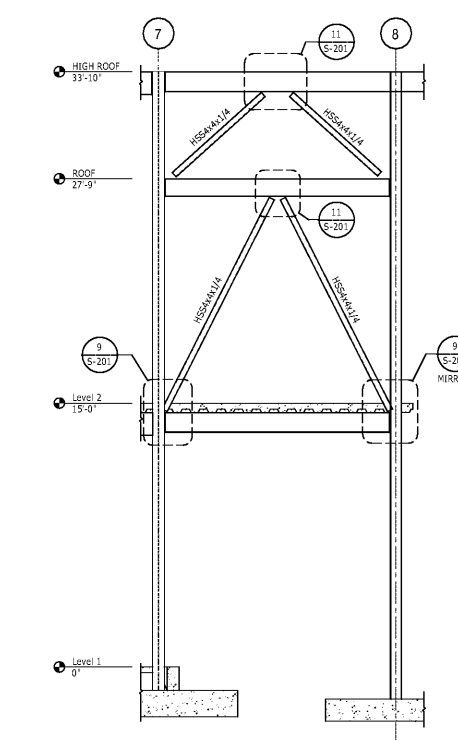
**5** VERTICAL FRAME #5  
1/4" = 1'-0"  
S-201

NOTE:  
1. FRAME MEMBER FORCES TO BE PROVIDED TO FABRICATOR FOR CONNECTION DESIGN



**3** VERTICAL FRAME #3  
1/4" = 1'-0"  
S-201

NOTE:  
1. FRAME MEMBER FORCES TO BE PROVIDED TO FABRICATOR FOR CONNECTION DESIGN



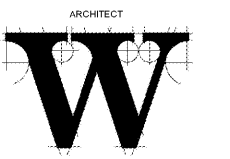
**9** VERTICAL FRAME #9  
1/4" = 1'-0"  
S-201

NOTES:  
1. CENTROIDS OF MEMBERS SHALL COINCIDE, UNO.  
2. (N) INDICATES BRACE AXIAL FORCE (IN KIPS). 'T' DENOTES THE BRACE IS IN TENSION, 'C' DENOTES THE BRACE IS IN COMPRESSION.  
3. "R" INDICATES BEAM REACTION (IN KIPS).  
4. "TF" INDICATES TRANSFER FORCE (IN KIPS) FROM ADJACENT BEAM.  
5. FABRICATOR SHALL DESIGN ALL BEAM TO COLUMN CONNECTIONS WITHIN VERTICAL FRAME TO SUPPORT THE HORIZONTAL AND VERTICAL COMPONENTS OF THE BRACE FORCE PLUS THE BEAM REACTION SHOWN ON THE ELEVATION. ALLOWABLE STRESS INCREASES OR LOAD REDUCTIONS ARE NOT PERMITTED.  
6. FRAME MEMBER FORCES TO BE PROVIDED TO FABRICATOR FOR CONNECTION DESIGN

WILSON AIR CENTER

NORTH TERMINAL

HCDT PROJECT  
CHARLOTTE-DOUGLASS  
INTERNATIONAL AIRPORT  
5327 MARKET FIELD DRIVE  
CHARLOTTE, NC 28209



ARCHITECT  
**THE WILSON GROUP**  
PO BOX 6510  
CHARLOTTE, NC 28299  
(704) 331-9747

CIVIL ENGINEER  
**TALBERT, BRIGHT & ELLINGTON**  
3625 WHITEHALL PARK DRIVE, SUITE 210  
CHARLOTTE, NC 28273  
(704) 426-6070 FIRM NO.: C-1163

STRUCTURAL ENGINEER  
**STEWART**  
101 N. TRYON ST., SUITE 1400  
CHARLOTTE, NC 28202  
(704) 334-3623 FIRM NO.: C-1051

MECHANICAL, ELECTRICAL, PLUMBING,  
AND FIRE PROTECTION ENGINEER  
**SABER ENGINEERING**  
2923 S. TRYON ST., SUITE 280  
CHARLOTTE, NC 28203  
(704) 373-0069 FIRM NO.: C-2138

LANDSCAPE ARCHITECT  
**URBAN DESIGN PARTNERS**  
1318-EB CENTRAL AVENUE  
CHARLOTTE, NC 28205  
(704) 334-3303 FIRM NO. C-TBD

COMMUNICATIONS INFRASTRUCTURE  
**DB CONSULTING**  
246 LOVES FARM ROAD  
BLACKSBURG, NC 28702  
(704) 497-7226 FIRM NO. C-TBD

REVISIONS

DATE: DECEMBER 7, 2018  
PROJECT NUMBER: 9197-000

SHEET TITLE:  
**VERTICAL FRAME ELEVATIONS**

SHEET NUMBER:  
**S-201**