

ARCHITECT

THE WILSON GROUP

PO BOX 5510  
CHARLOTTE, NC 28299  
(704) 331-9747

CIVIL ENGINEER  
TALBERT, BRIGHT & ELLINGTON  
3525 WHITEHALL PARK DRIVE, SUITE 210  
CHARLOTTE, NC 28273  
(704) 426-6070 FIRM NO. C-1163

STRUCTURAL ENGINEER  
STEWART  
101 N. TRYON ST., SUITE 1400  
CHARLOTTE, NC 28202  
(704) 334-3523 FIRM NO. C-1051

MECHANICAL, ELECTRICAL, PLUMBING,  
AND FIRE PROTECTION ENGINEER  
SABER ENGINEERING  
2923 S. TRYON ST., SUITE 200  
CHARLOTTE, NC 28203  
(704) 373-0069 FIRM NO. C-2138

LANDSCAPE ARCHITECT  
URBAN DESIGN PARTNERS  
1318-ER CENTRAL AVENUE  
CHARLOTTE, NC 28205  
(704) 334-3303 FIRM NO. C-18D

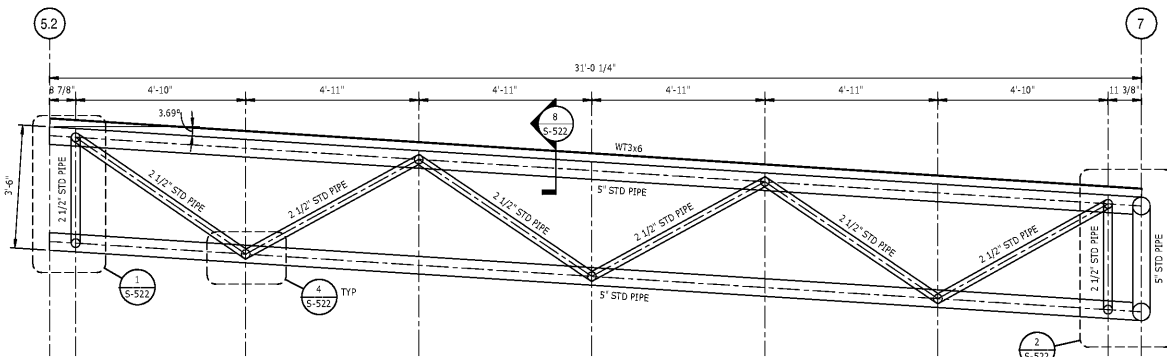
COMMUNICATIONS INFRASTRUCTURE  
DB CONSULTING  
246 LIVES FARM ROAD  
BLACKSBURG, VA 20702  
(704) 497-7228 FIRM NO. C-18D

REVISIONS

DATE: DECEMBER 7, 2018  
PROJECT NUMBER: 9197-000

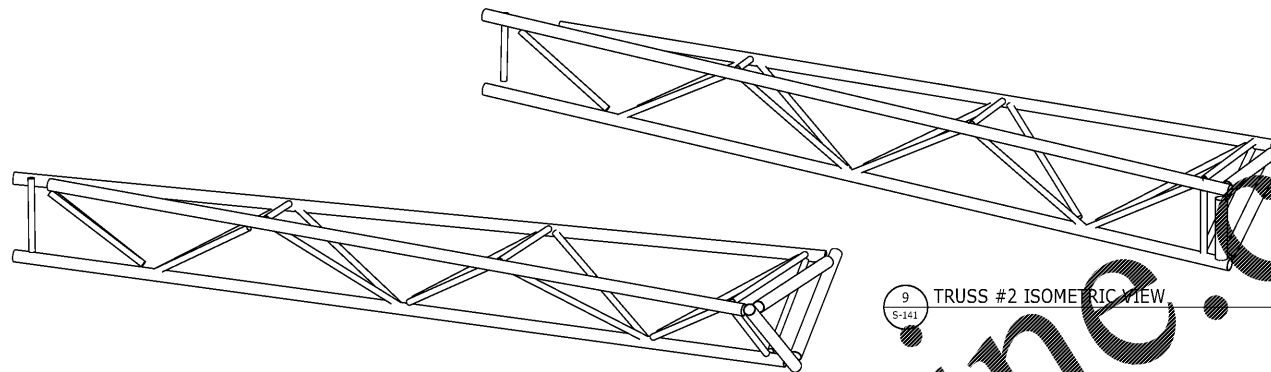
SHEET TITLE:  
HIGH ROOF FRAMING PLAN

SHEET NUMBER:  
S-141

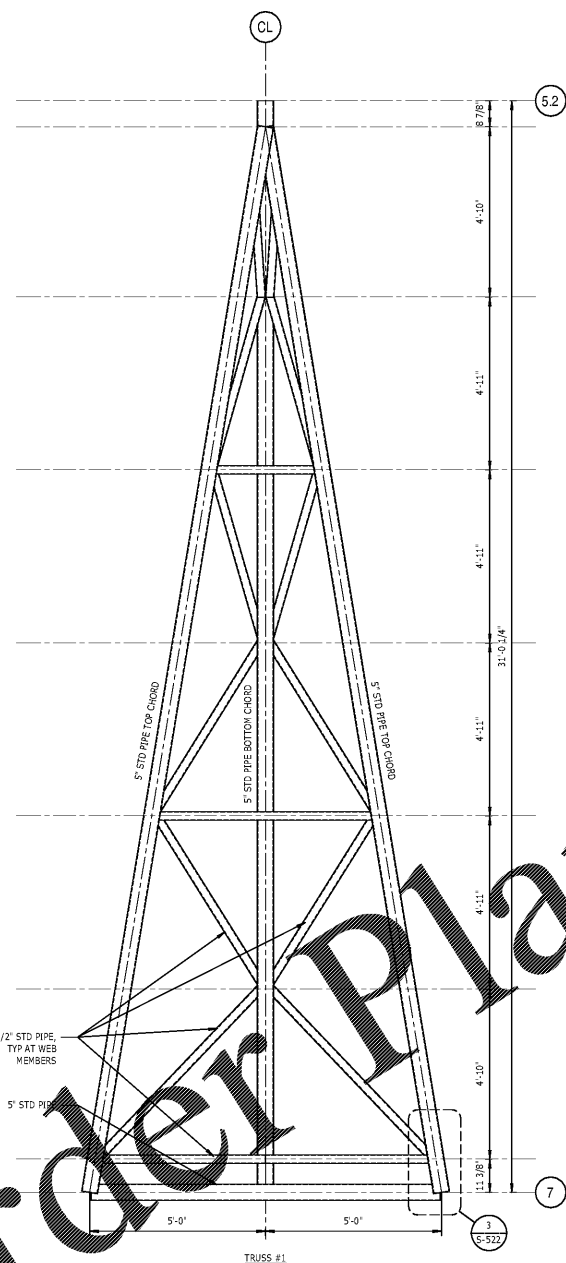


1 TRUSS T1 ELEVATION

5-141 1/2" = 1'-0"  
NOTE:  
TRUSS MEMBER FORCES TO BE PROVIDED TO FABRICATOR FOR CONNECTION DESIGN.

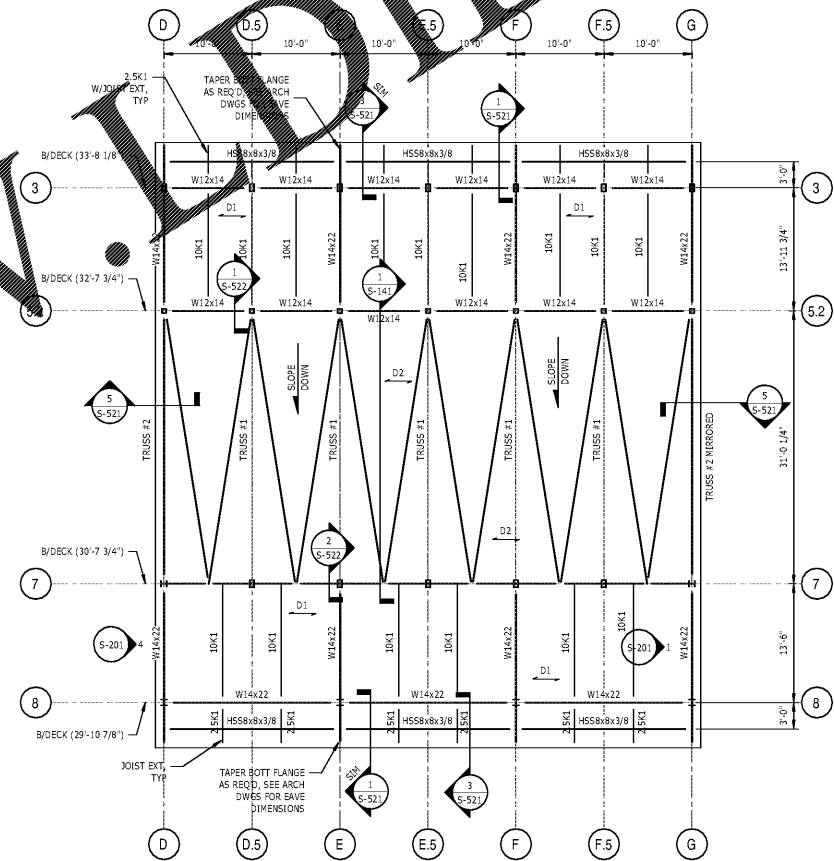
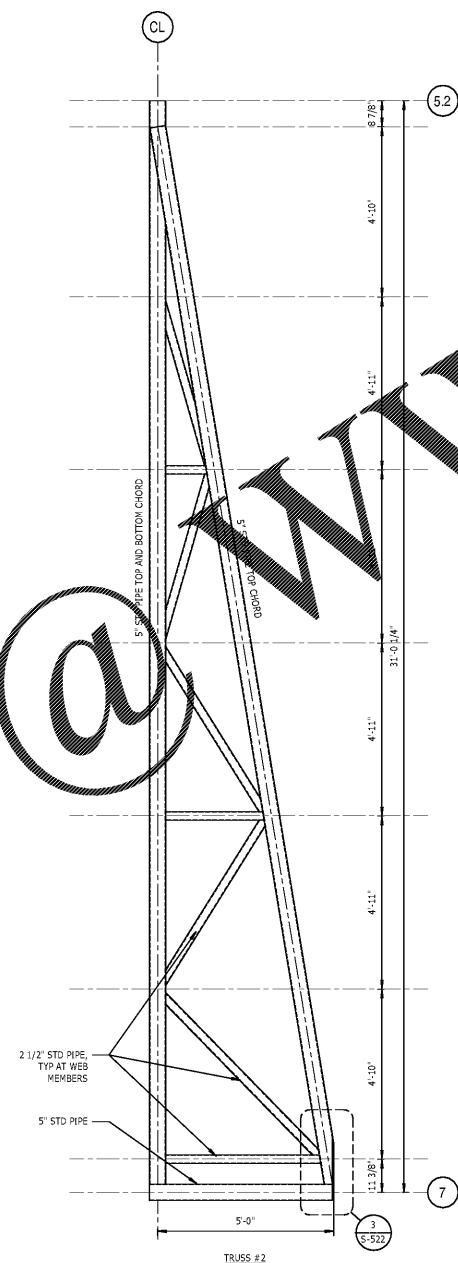


4 TRUSS #1 ISOMETRIC VIEW



3 TRUSS PLANS

5-141 1/2" = 1'-0"



2 HIGH ROOF FRAMING PLAN

5-141 1/8" = 1'-0"  
NOTES:  
1. FOR GENERAL NOTES AND ABBREVIATIONS, SEE S-001.  
2. (No) INDICATES TOP OF STEEL JOIST BEARING ELEVATION. (+No) INDICATES TOP OF STEEL ABOVE JOIST BEARING ELEVATION.  
3. D1, D2 INDICATES STEEL DECK SPAN DIRECTION. CONSTRUCTION SHALL BE 1 1/2" x 22GA METAL DECK. SEE 1/5-503 FOR TYPICAL ROOF CONSTRUCTION DETAIL.  
4. D1, D2 INDICATES STEEL DECK SPAN DIRECTION. CONSTRUCTION SHALL BE 3" x 22GA METAL DECK. SEE 3/5-503 FOR TYPICAL ROOF CONSTRUCTION DETAIL.  
5. — INDICATES MOMENT CONNECTION TYPE. SEE 10/5-501.  
6. SEE ELEVATION CALLOUTS ON PLAN FOR VERTICAL FRAME LOCATIONS. SEE S-200'S FOR ELEVATIONS AND DETAILS.  
7. FOR TYPICAL ROOF FRAMING DETAILS, SEE S-503.  
8. FOR STEEL COLUMN SCHEDULE, SEE S-505.  
9. "DS" INDICATES W14x15.5 DRAG STRUT WELDED BETWEEN JOIST TOP CHORDS. ATTACH METAL DECK TO DRAG STRUT, TYP.  
10. "SCK" INDICATES JOIST BOTTOM CHORD EXTENSION.  
11. JOIST MANUFACTURER TO PROVIDE HEADER AND INCLUDE REACTIONS IN DESIGN OF SUPPORTING JOISTS.

Order Plans

@www.dolline.com