

**THE WILSON GROUP**

P O BOX 5510  
 CHARLOTTE, NC 28299  
 (704) 331-8747

CIVIL ENGINEER  
**TALBERT, BRIGHT & ELLINGTON**

3525 WHITEHALL PARK DRIVE, SUITE 210  
 CHARLOTTE, NC 28273  
 (704) 425-6070 FIRM NO. C-1163

STRUCTURAL ENGINEER  
**STEWART**

101 N. TRYON ST., SUITE 1400  
 CHARLOTTE, NC 28202  
 (704) 909-3523 FIRM NO. C-1051

MECHANICAL, ELECTRICAL, PLUMBING & FIRE PROTECTION ENGINEER  
**SABER ENGINEERING**

2323 S. TRYON ST., SUITE 200  
 CHARLOTTE, NC 28203  
 (704) 373-0068 FIRM NO. C-2130

LANDSCAPE ARCHITECT  
**URBAN DESIGN PARTNERS**

1318-EE CENTRAL AVENUE  
 CHARLOTTE, NC 28205  
 (704) 334-3303 FIRM NO. C-1780

COMMUNICATIONS INFRASTRUCTURE  
**DB CONSULTING**

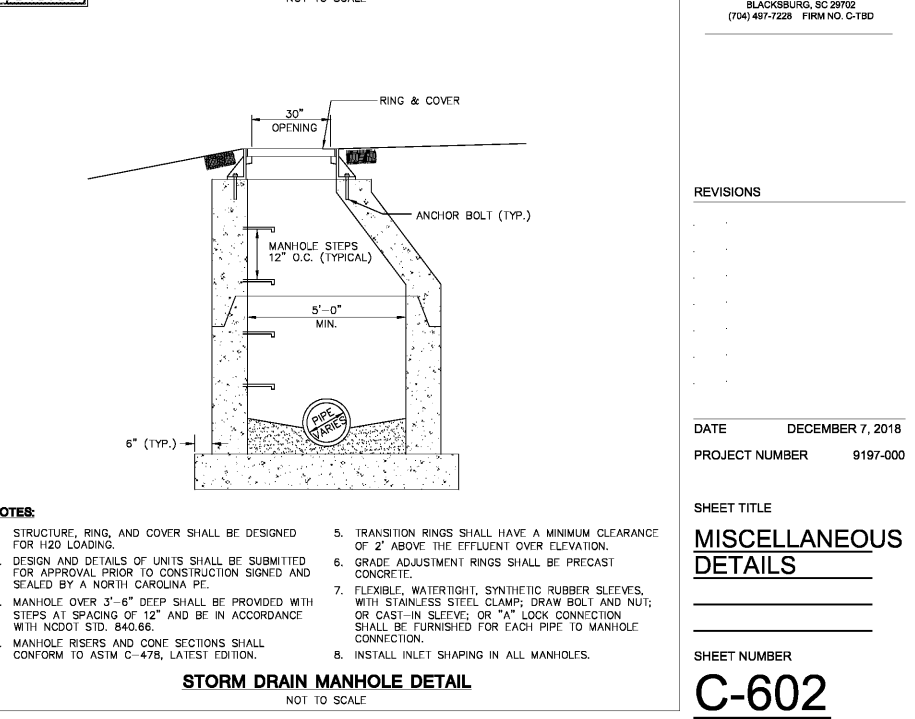
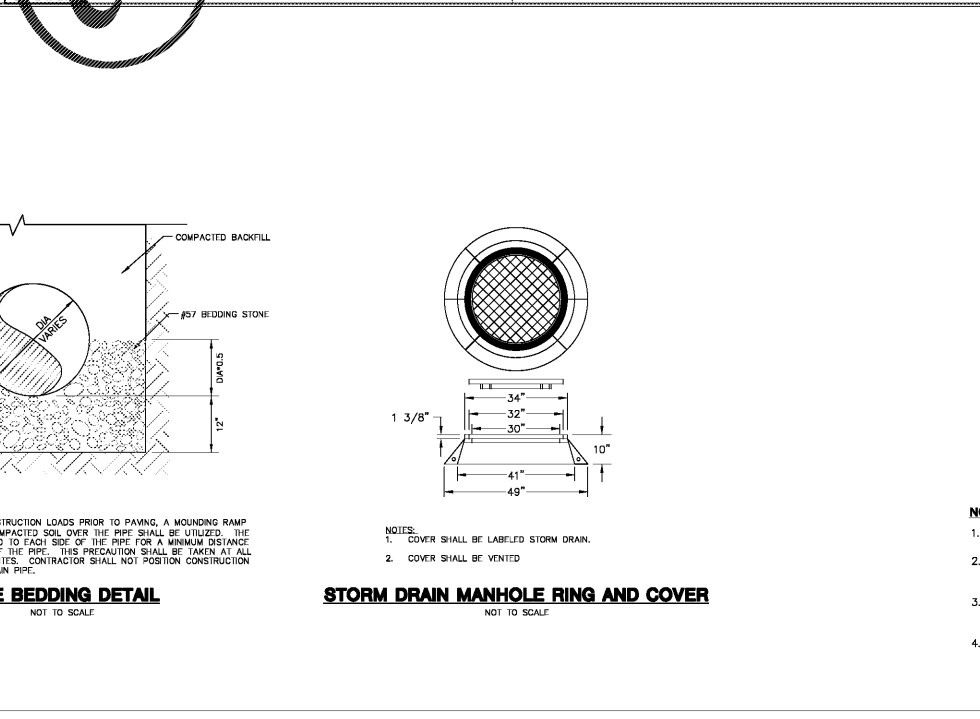
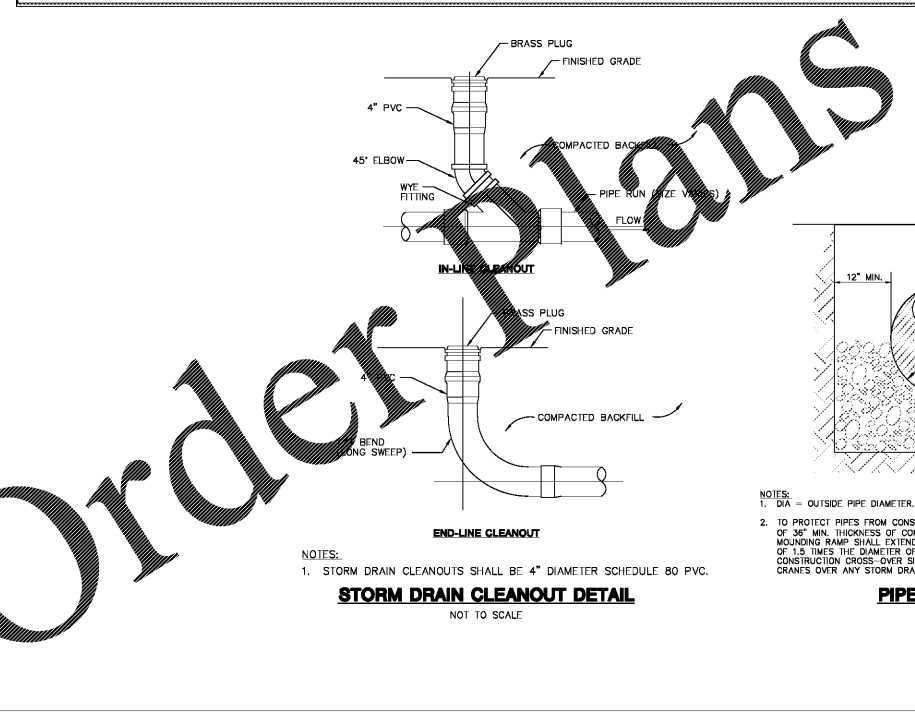
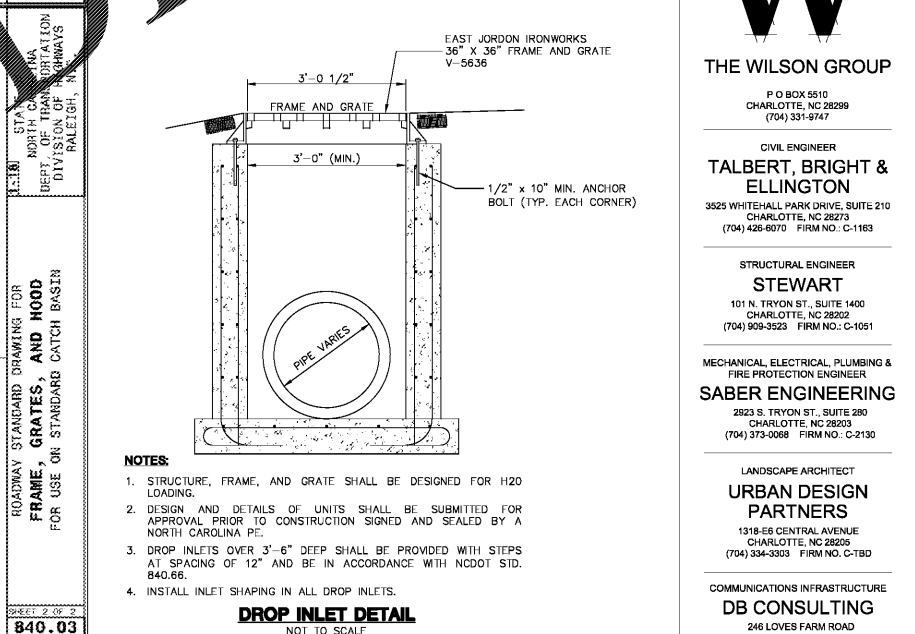
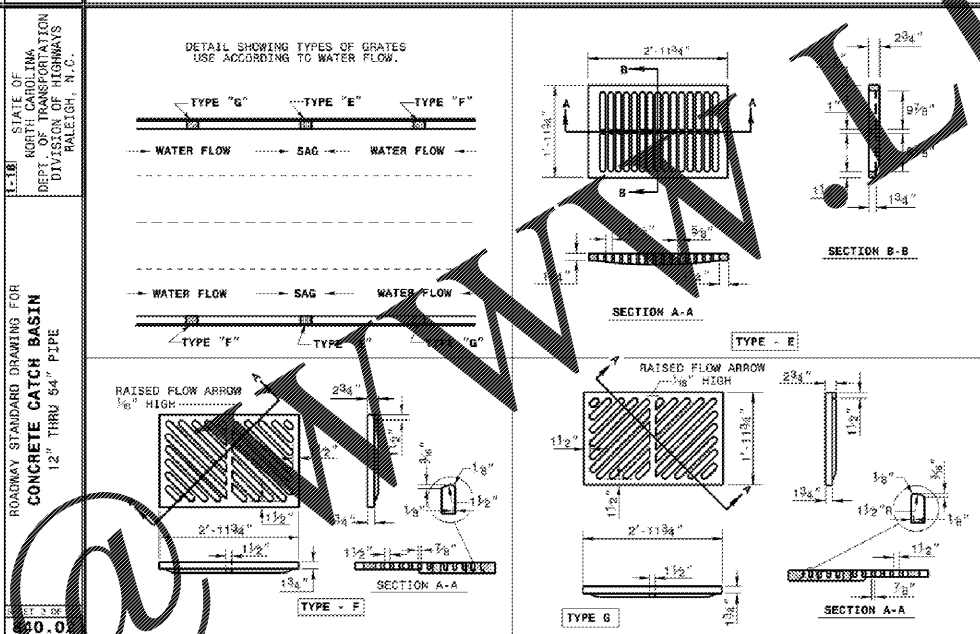
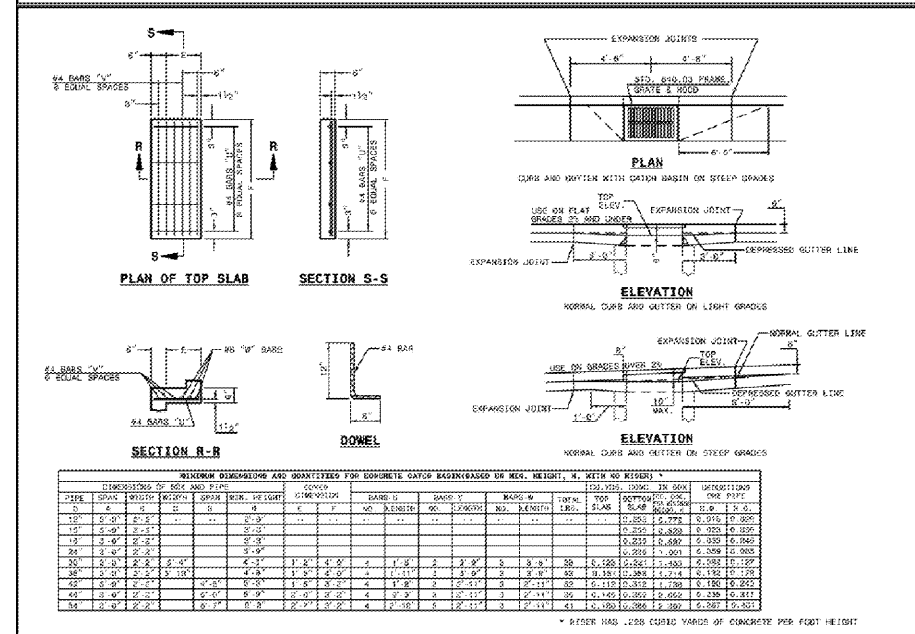
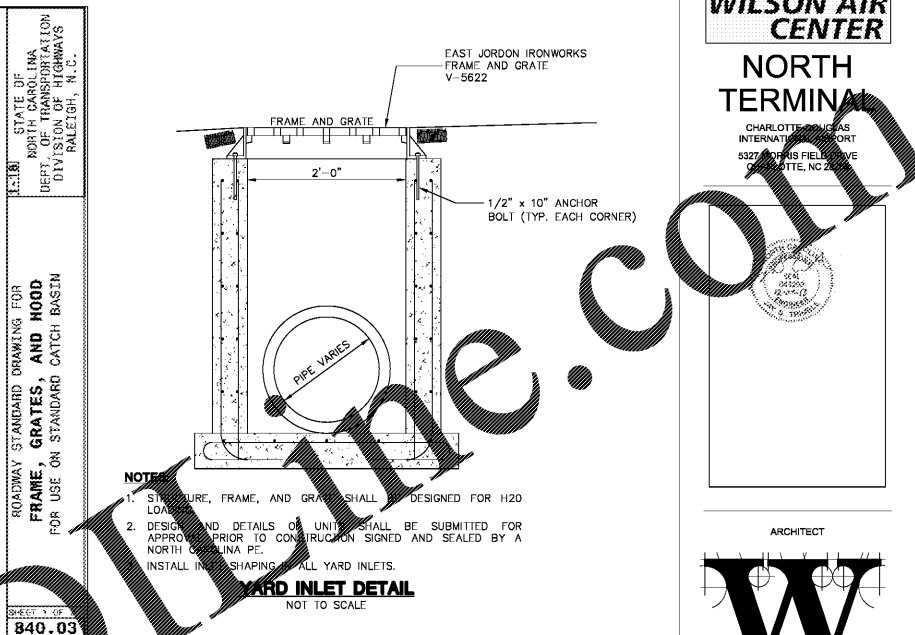
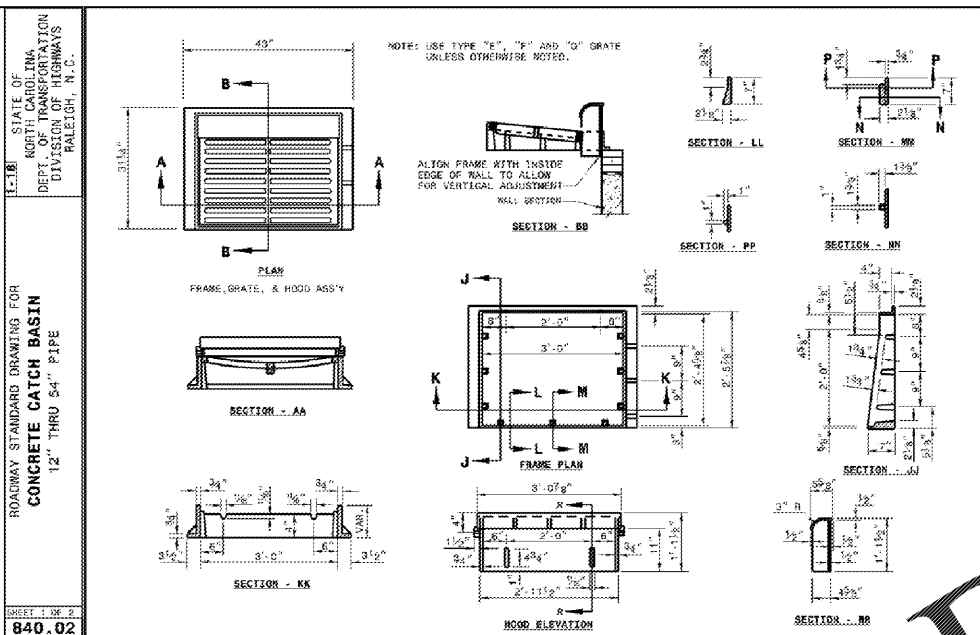
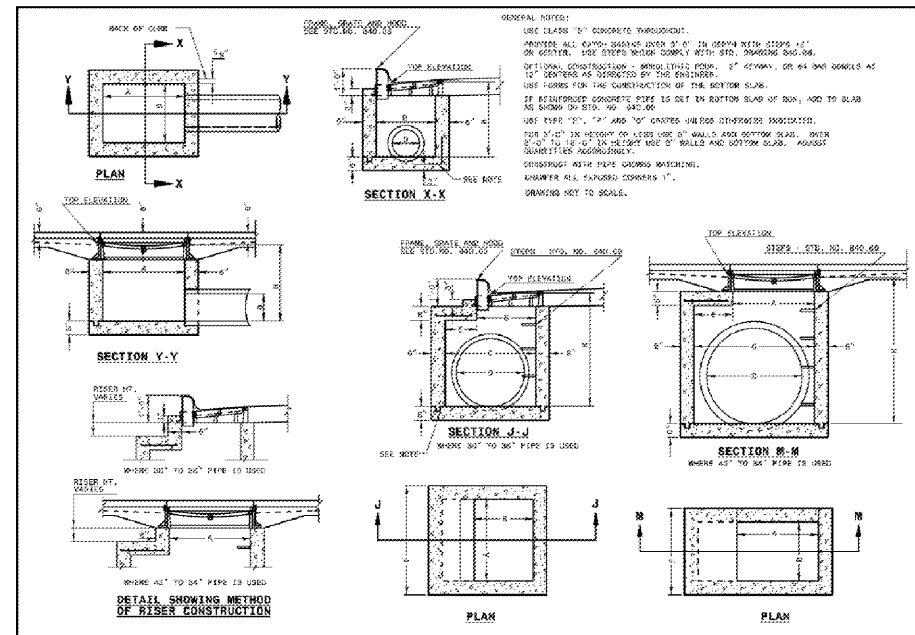
246 LOVES FARM ROAD  
 BLACKSBURG, SC 29702  
 (704) 467-7228 FIRM NO. C-1780

REVISIONS

DATE DECEMBER 7, 2018  
 PROJECT NUMBER 9197-000

SHEET TITLE  
**MISCELLANEOUS DETAILS**

SHEET NUMBER  
**C-602**



Order Plans

www.landscape.com