

THE WILSON GROUP ARCHITECTS

ARCHITECTS  
PO BOX 5510 CHARLOTTE, NC 28229  
704-331-6747 www.wilgrouparchitects.com

CIVIL ENGINEER  
**TALBERT, BRIGHT & ELLINGTON**  
3525 WHITEHALL PARK DRIVE, SUITE 210  
CHARLOTTE, NC 28273  
(704) 425-8070 FIRM NO. C-1183

STRUCTURAL ENGINEER  
**STEWART**  
101 N. TRYON ST., SUITE 1400  
CHARLOTTE, NC 28202  
(704) 389-3523 FIRM NO. C-1051

MECHANICAL, ELECTRICAL, PLUMBING & FIRE PROTECTION ENGINEER  
**SABER ENGINEERING**  
2923 S. TRYON ST., SUITE 280  
CHARLOTTE, NC 28203  
(704) 373-0068 FIRM NO. C-2130

LANDSCAPE ARCHITECT  
**URBAN DESIGN PARTNERS**  
1315-B CENTRAL AVENUE  
CHARLOTTE, NC 28205  
(704) 334-3303 FIRM NO. C-TBD

COMMUNICATIONS INFRASTRUCTURE  
**DB CONSULTING**  
246 LOVES FARM ROAD  
BLACKSBURG, SC 29702  
(704) 497-7228 FIRM NO. C-TBD

REVISIONS

DATE DECEMBER 7, 2018  
PROJECT NUMBER 9197-000

SHEET TITLE  
**WALL TYPES**

SHEET NUMBER  
**G-004**

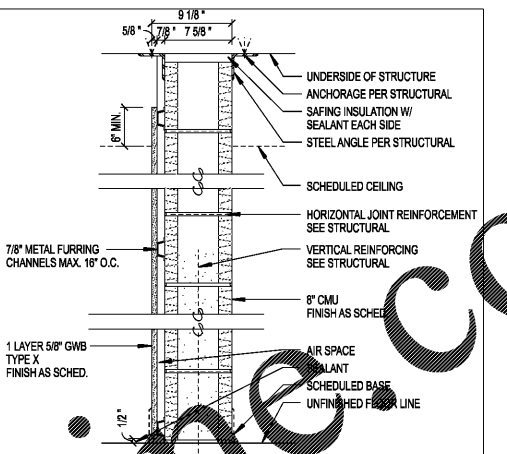
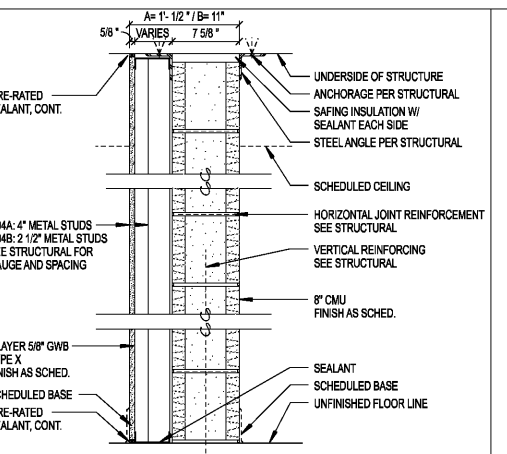
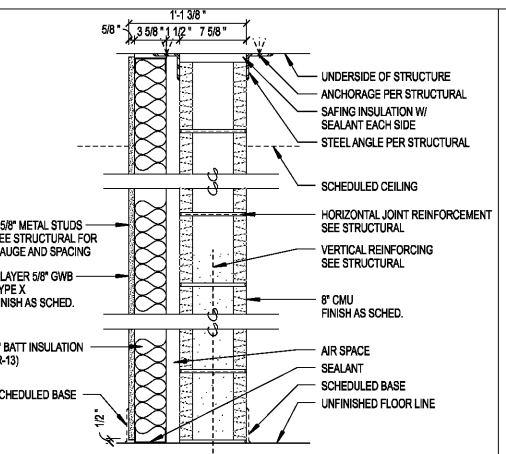
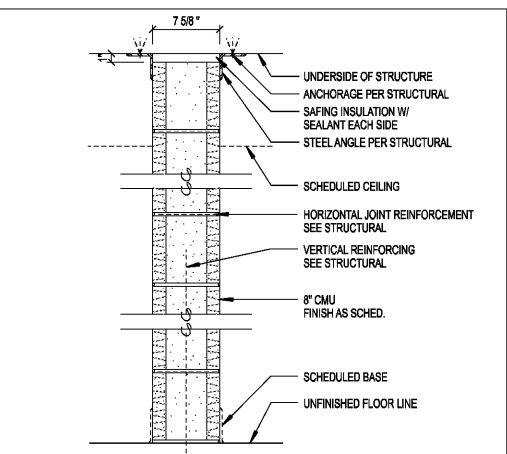
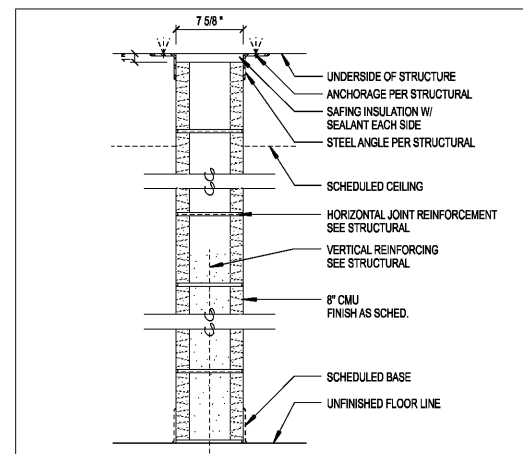


Table with 5 columns: ID, FIRE RATING, ASSEMBLY NO., STC, STC TEST NO. Row M-01: 0 HR, N/A, N/A, N/A.

Table with 5 columns: ID, FIRE RATING, ASSEMBLY NO., STC, STC TEST NO. Row M-02: 1 HR, T22.3.1, N/A, N/A.

Table with 5 columns: ID, FIRE RATING, ASSEMBLY NO., STC, STC TEST NO. Row M-03: 0 HR, N/A, N/A, N/A.

Table with 5 columns: ID, FIRE RATING, ASSEMBLY NO., STC, STC TEST NO. Row M-04 A/B: 1 HR, T22.3.1.1, N/A, N/A.

Table with 5 columns: ID, FIRE RATING, ASSEMBLY NO., STC, STC TEST NO. Row M-05: 0 HR, N/A, N/A, N/A.

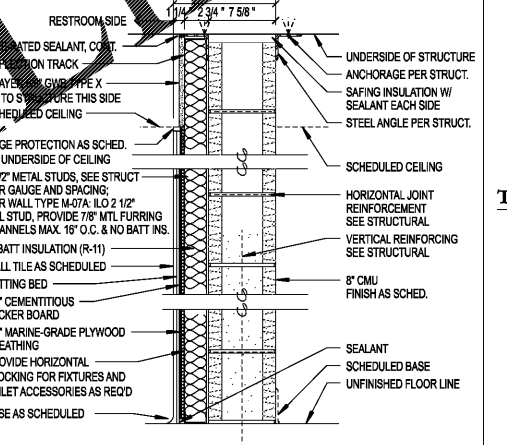
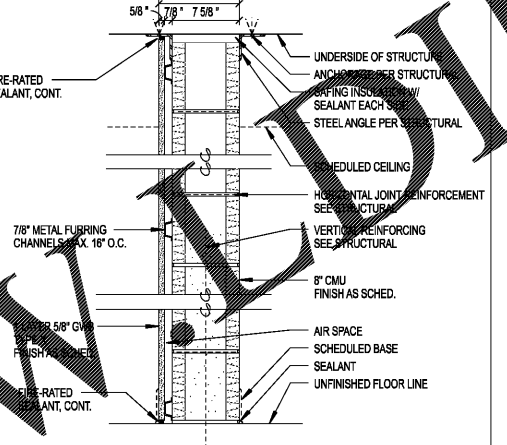
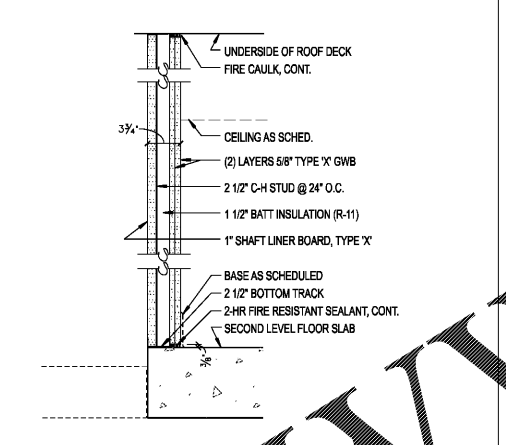
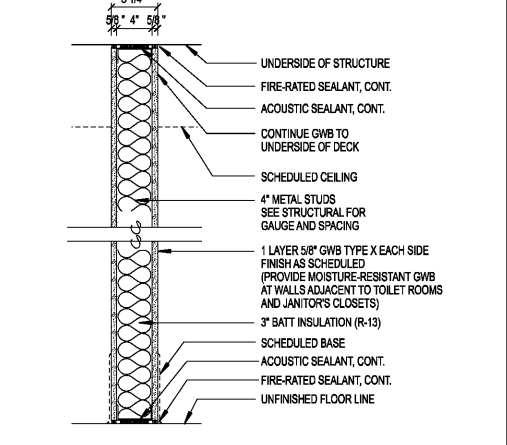
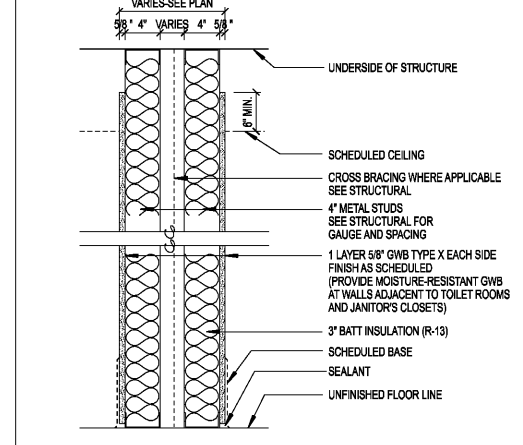


Table with 5 columns: ID, FIRE RATING, ASSEMBLY NO., STC, STC TEST NO. Row W-11: 0 HR, N/A, N/A, N/A.

Table with 5 columns: ID, FIRE RATING, ASSEMBLY NO., STC, STC TEST NO. Row W-12: 1 HR, T720.1(2),13-1.3, N/A, N/A.

Table with 5 columns: ID, FIRE RATING, ASSEMBLY NO., STC, STC TEST NO. Row W-13: 1 HR, U438, N/A, N/A.

Table with 5 columns: ID, FIRE RATING, ASSEMBLY NO., STC, STC TEST NO. Row M-06: 1 HR, T22.3.1.1, N/A, N/A.

Table with 5 columns: ID, FIRE RATING, ASSEMBLY NO., STC, STC TEST NO. Row M-07: 1 HR, T22.3.1.1, N/A, N/A.

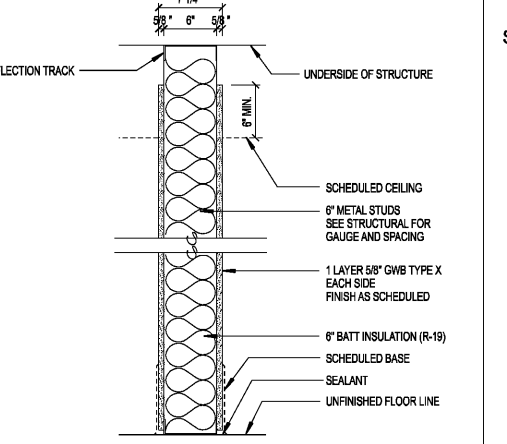
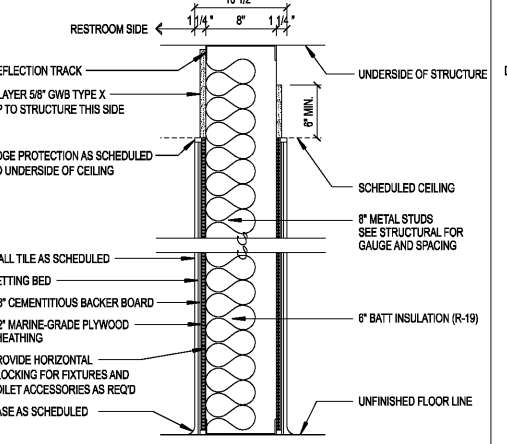
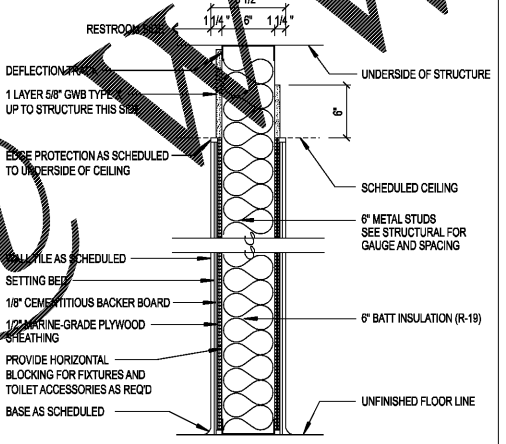
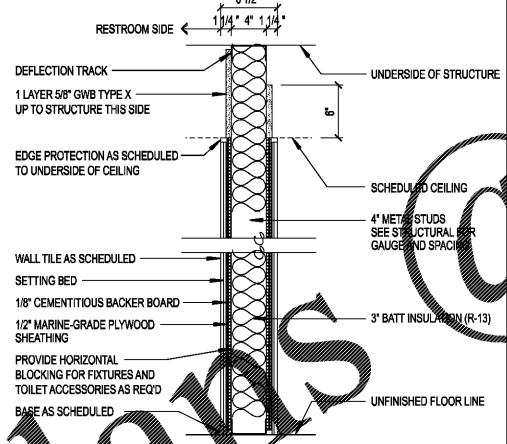
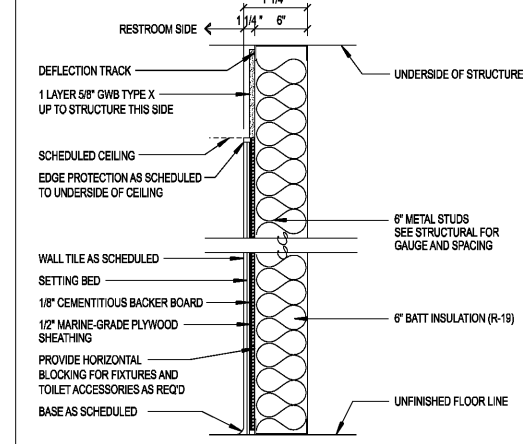


Table with 5 columns: ID, FIRE RATING, ASSEMBLY NO., STC, STC TEST NO. Row W-06: 0 HR, N/A, N/A, N/A.

Table with 5 columns: ID, FIRE RATING, ASSEMBLY NO., STC, STC TEST NO. Row W-07: 0 HR, N/A, N/A, N/A.

Table with 5 columns: ID, FIRE RATING, ASSEMBLY NO., STC, STC TEST NO. Row W-08: 0 HR, N/A, N/A, N/A.

Table with 5 columns: ID, FIRE RATING, ASSEMBLY NO., STC, STC TEST NO. Row W-09: 0 HR, N/A, N/A, N/A.

Table with 5 columns: ID, FIRE RATING, ASSEMBLY NO., STC, STC TEST NO. Row W-10: 0 HR, N/A, N/A, N/A.

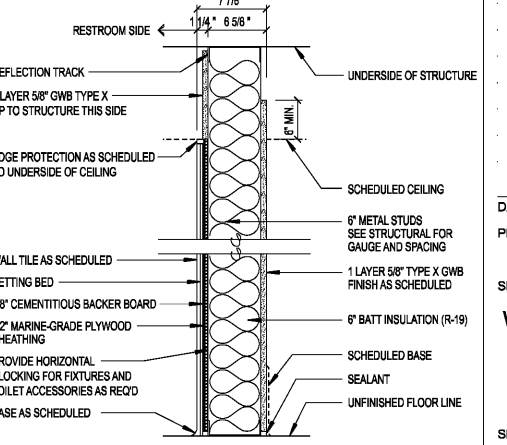
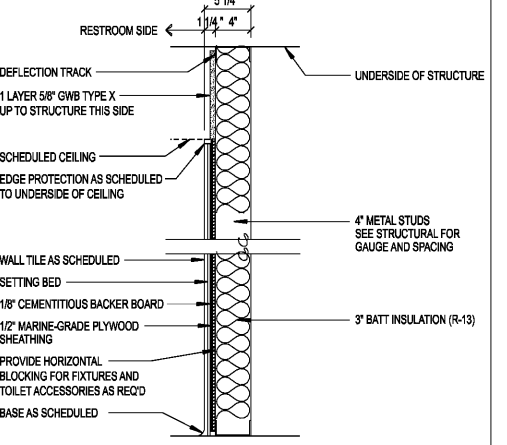
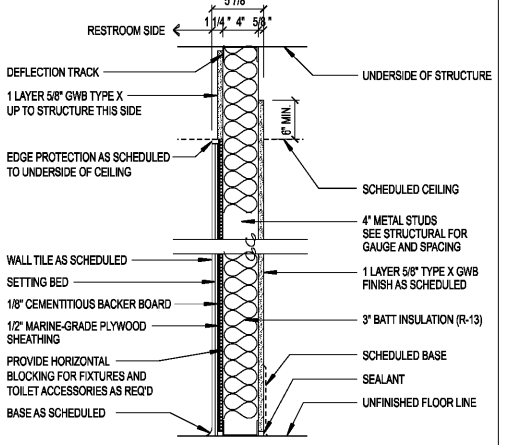
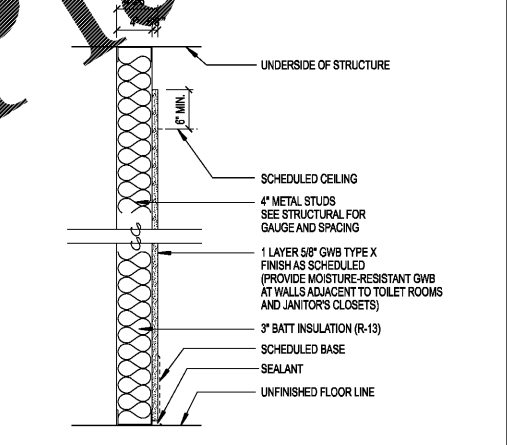
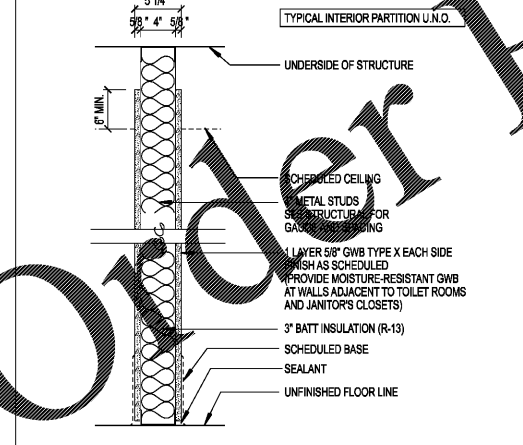


Table with 5 columns: ID, FIRE RATING, ASSEMBLY NO., STC, STC TEST NO. Row W-01: 0 HR, N/A, N/A, N/A.

Table with 5 columns: ID, FIRE RATING, ASSEMBLY NO., STC, STC TEST NO. Row W-02: 0 HR, N/A, N/A, N/A.

Table with 5 columns: ID, FIRE RATING, ASSEMBLY NO., STC, STC TEST NO. Row W-03: 0 HR, N/A, N/A, N/A.

Table with 5 columns: ID, FIRE RATING, ASSEMBLY NO., STC, STC TEST NO. Row W-04: 0 HR, N/A, N/A, N/A.

Table with 5 columns: ID, FIRE RATING, ASSEMBLY NO., STC, STC TEST NO. Row W-05: 0 HR, N/A, N/A, N/A.

Order Plans