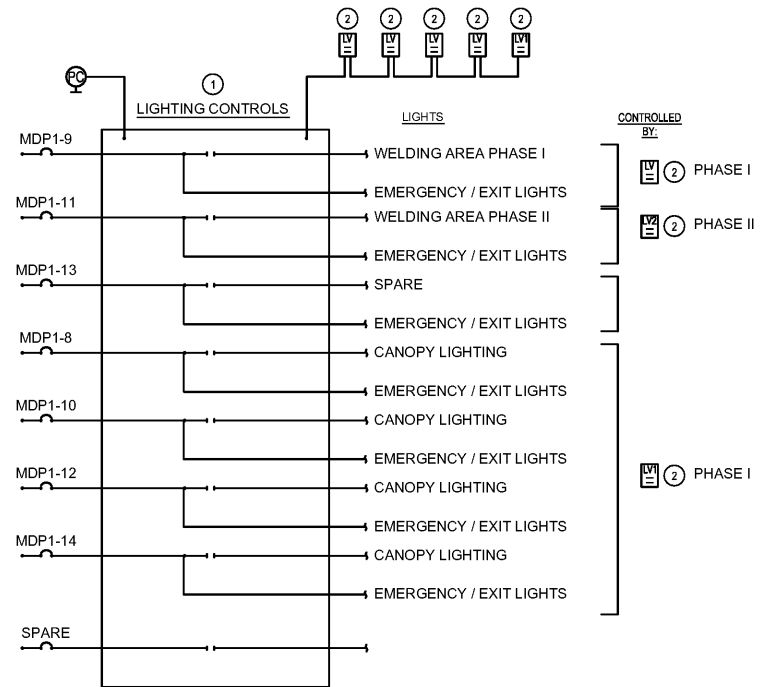


LIGHTING FIXTURES:
 SEE LIGHTING FIXTURE SCHEDULE FOR SYMBOLS AND DESCRIPTIONS. THE FIXTURE MARK IN AN ENCLOSED SPACE WITH SIMILAR FIXTURES WILL APPLY TO ALL FIXTURES IN THE SPACE.

MARK	MANUFACTURER AND CATALOG NUMBER	LAMPS			TOTAL WATTS	VOLTAGE	MOUNTING	NOTES
		TYPE	#	WATTS				
F4	LITHONIA 2GTL4 4000LM LP835 EZ1	LED	1	34	34	120VOLT	RECESSED	2 X 4 RECESSED LED TROFFER WITH ACRYLIC LENS 4000 LUMENS WITH 1% DIMMING
F22	LITHONIA 2GTL2 3300LM LP835	LED	1	28	28	120VOLT	RECESSED	2 X 2 LED TROFFER WITH ACRYLIC LENS 3300 LUMENS
EX	EMERGI LITE LXN 1 N G C A S X	LED	1	1.4	1.4	120	SURFACE WALL	WALL MOUNTED CLEAR EXIT FIXTURE GREEN LETTERING WITH BATTERY BACK UP
EM	LITHONIA EU2 LED M12	LED	1	2	2	120/277	SURFACE	LED EMERGENCY FIXTURE WITH BATTERY BACK UP MOUNTING HEIGHT : 8'
WP	LITHONIA WST LED P1 40K VW MVOLT PIR1FC3V	LED	1	11	11	120VOLT	WALL	LED WALL PACK WITH AMBIENT INFRARED SENSOR AND BI-LEVEL OPERATION 1800 LUMENS MOUNTING HEIGHT : 8'
WP1	LITHONIA WST LED P2 40K VW MVOLT PIR1FC3V	LED	1	25	25	120VOLT	WALL	LED WALL PACK WITH AMBIENT INFRARED SENSOR AND BI-LEVEL OPERATION 3000 LUMENS MOUNTING HEIGHT : 13'
SL	KENALL 48 1-67L35K 1 DV 2H CP	LED	1	73	73	120/277	SURFACE	4 LED SURFACE LIGHT SURFACE MOUNTED TO THE BOTTOM OF THE STRUCTURAL MEMBER 7500 LUMENS
NOTES	FIXTURES WITH HALF FILLED IN CENTER SHALL BE PROVIDED WITH AN EMERGENCY BALLAST, 1100 LUMENS OR THE MAXIMUM AVAILABLE FOR THE FIXTURE.							



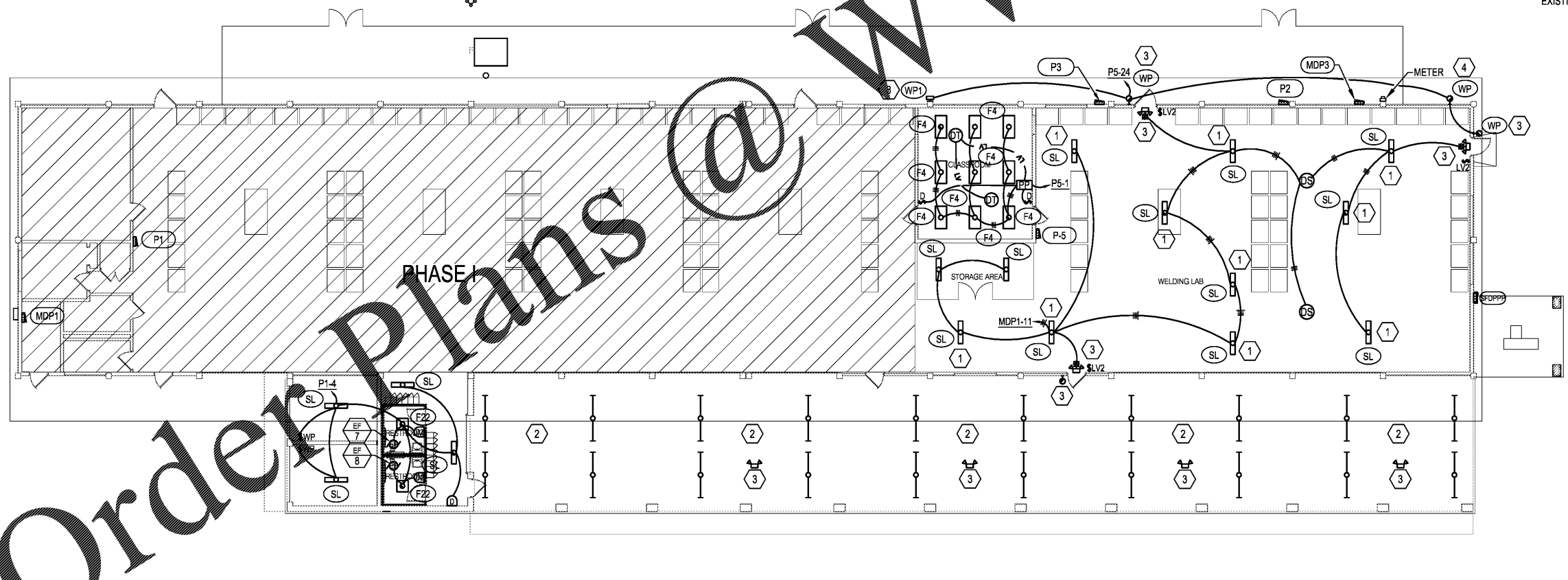
1 LIGHTING CONTROL CONNECTION DIAGRAM

LIGHTING CONTROL PANEL KEYNOTES

- 1 PROGRAMMABLE LIGHTING CONTROL PANEL WITH PHOTOCELL AND ASTRONOMIC TIMECLOCK. PROGRAMMED PER THE OPERATING HOURS AND IN ACCORDANCE WITH THE 2013 ASHRAE STANDARD 90.1.
- 2 TWO BUTTON ON/OFF LOW VOLTAGE SWITCH MOUNTED IN AN ALUMINUM CAST FS TYPE BOX WITH STAINLESS STEEL PLATE.

SHEET NOTES

- 1 FIXTURES IN THE WORK AREA ARE TO BE SURFACE MOUNTED TO THE BOTTOM OF THE STRUCTURE.
- 2 THE WORK IN THIS AREA WAS COMPLETED IN PHASE I.
- 3 THIS EXISTING EMERGENCY EGRESS AND EMERGENCY EXIT LIGHTING WAS ADDRESSED IN PHASE I OF THIS PROJECT.
- 4 THE NEW "WP" FIXTURE SHALL BE CONNECTED TO THE EXISTING LIGHTING CIRCUIT AS SHOWN.



1 NEW WORK LIGHTING PLAN PHASE II



Order Plans @

WWW.LDLINE.COM

EXTERIOR DOORS, HARDWARE
 AND STOREFRONT REPLACEMENT
 MOBILE, ALABAMA

GMC NO. AMOB170029.004



NEW WORK LIGHTING
 PLAN PHASE II

E3.0
 sheet of