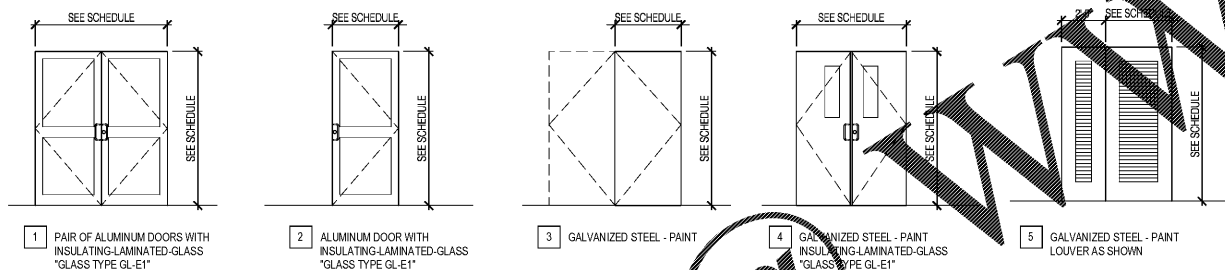


OPENING SCHEDULE - FIRST FLOOR

Door Number	REFERENCE	DOOR FRAME TYPE	DOOR TYPE	DOOR			FRAME				DOUBLE DOOR	FIRE RATING	HEAD	JAMB	SILL	COMMENTS		
				WIDTH	HEIGHT	THK	MAT'L	FINISH	MAT'L	FINISH							HEAD HGT.	ROUGH OPENING
F1A	1A/A2.0F	SF-1	1 (2 OF)	6'-0"	7'-0"	1 3/4"	AL	--	AL	--	2 1/2"	19'-4"W x 8'-7 3/4"H	2 PAIR	--	H1/A5.0A	J1/A5.0A	H1/A5.0A	
F1B	1B/A2.0F	SF-1	1 (2 OF)	6'-0"	7'-0"	1 3/4"	AL	--	AL	--	2 1/2"	19'-4"W x 8'-7 3/4"H	2 PAIR	--	H1/A5.0A	J1/A5.0A	H1/A5.0A	
F2	2/A2.0F	F-1	3	3'-0"	7'-0"	1 3/4"	GHM	--	GHM	--	2"	3'-4"W x 8'-8 3/4"H	No	--	H2/A5.0B	J2/A5.0B	S3/A5.0B	
F3	3/A2.0F	F-1	3	3'-0"	7'-0"	1 3/4"	GHM	--	GHM	--	2"	3'-4"W x 8'-8 3/4"H	No	--	H2/A5.0B	J2/A5.0B	S3/A5.0B	
F4	4/A2.0F	F-2	3	6'-0"	7'-0"	1 3/4"	GHM	--	GHM	--	2"	6'-4"W x 8'-8 1/2"H	Yes	--	H2/A5.0B	J2/A5.0B	S3/A5.0B	
F5	5/A2.0F	F-2	4	6'-0"	7'-0"	1 3/4"	GHM	--	GHM	--	2"	6'-4"W x 8'-8 7/8"H	Yes	--	H2/A5.0B	J2/A5.0B	S3/A5.0B	
F6	6/A2.0F	F-2	3	6'-0"	7'-0"	1 3/4"	GHM	--	GHM	--	2"	6'-4"W x 8'-8 1/2"H	Yes	--	H2/A5.0B	J2/A5.0B	S3/A5.0B	
F7	7/A2.0F	F-1	3	3'-0"	7'-0"	1 3/4"	GHM	--	GHM	--	2"	3'-4"W x 8'-8"H	No	--	H2/A5.0B	J2/A5.0B	S3/A5.0B	
F8	8/A2.0F	F-1	3	3'-0"	7'-0"	1 3/4"	GHM	--	GHM	--	2"	3'-4"W x 8'-8"H	No	--	H2/A5.0B	J2/A5.0B	S3/A5.0B	
F9	9/A2.0F	F-1	3	3'-0"	7'-0"	1 3/4"	GHM	--	GHM	--	2"	3'-4"W x 8'-8"H	No	--	H2/A5.0B	J2/A5.0B	S3/A5.0B	
F10	10/A2.0F	F-2	3	6'-0"	7'-0"	1 3/4"	GHM	--	GHM	--	2"	6'-4"W x 8'-8 1/2"H	Yes	--	H2/A5.0B	J2/A5.0B	S3/A5.0B	
F11	11/A2.0F	F-2	5	3'-0"	7'-0"	1 3/4"	GHM	--	GHM	--	2"	5'-4"W x 8'-8"H	Yes	--	H2/A5.0B	J2/A5.0B	S3/A5.0B	
F12	12/A2.0F	F-1	3	3'-0"	7'-0"	1 3/4"	GHM	--	GHM	--	2"	3'-4"W x 8'-8"H	No	--	H2/A5.0B	J2/A5.0B	S3/A5.0B	
F13	13/A2.0F	F-1	3	3'-0"	7'-0"	1 3/4"	GHM	--	GHM	--	2"	3'-4"W x 8'-8"H	No	--	H2/A5.0B	J2/A5.0B	S3/A5.0B	
F14	14/A2.0F	F-3	3	3'-0"	7'-0"	1 3/4"	EXG	--	EXG	--	4"	3'-4"W x 13'-0"H	No	--	H2/A5.0B	J2/A5.0B	S3/A5.0B	
F15	15/A2.0F	SF-2	2	3'-0"	7'-0"	1 3/4"	AL	--	AL	--	2"	4'-6"W x 8'-8"H	No	--	H1/A5.0A	J1/A5.0A	H1/A5.0A	
F16	16/A2.0F	F-2	3	6'-0"	7'-0"	1 3/4"	GHM	--	GHM	--	2"	6'-4"W x 8'-8"H	Yes	--	H2/A5.0B	J2/A5.0B	S3/A5.0B	
F17	17/A2.0F	F-1	3	3'-0"	7'-0"	1 3/4"	GHM	--	GHM	--	2"	3'-4"W x 8'-8"H	No	--	H2/A5.0B	J2/A5.0B	S3/A5.0B	
F18	18/A2.0F	F-2	3	6'-0"	7'-0"	1 3/4"	GHM	--	GHM	--	2"	6'-4"W x 8'-8"H	Yes	--	H2/A5.0B	J2/A5.0B	S3/A5.0B	
F19	19/A2.0F	F-1	3	3'-0"	7'-0"	1 3/4"	GHM	--	GHM	--	2"	3'-4"W x 8'-8"H	No	--	H2/A5.0B	J2/A5.0B	S3/A5.0B	
F20	20/A2.0F	F-2	3	6'-0"	7'-0"	1 3/4"	GHM	--	GHM	--	2"	6'-4"W x 8'-8"H	Yes	--	H2/A5.0B	J2/A5.0B	S3/A5.0B	
F21	21/A2.0F	F-3	3	3'-0"	7'-0"	1 3/4"	EXG	--	EXG	--	4"	3'-4"W x 13'-0"H	No	--	H2/A5.0B	J2/A5.0B	S3/A5.0B	
F22	22/A2.0F	F-1	3	3'-0"	7'-0"	1 3/4"	GHM	--	GHM	--	2"	3'-4"W x 8'-8"H	No	--	H2/A5.0B	J2/A5.0B	S3/A5.0B	
F23	23/A2.0F	F-1	3	3'-0"	7'-0"	1 3/4"	GHM	--	GHM	--	2"	3'-4"W x 8'-8"H	No	--	H2/A5.0B	J2/A5.0B	S3/A5.0B	

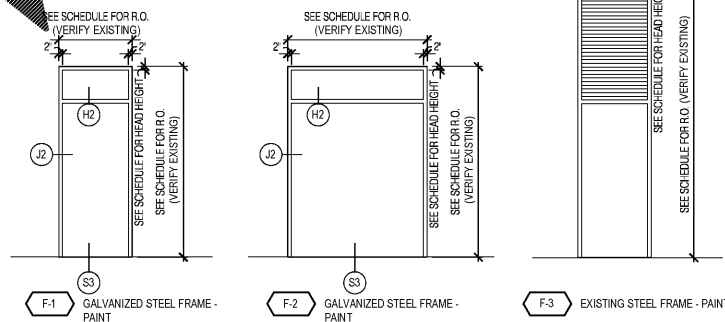


Door Types

SCALE: 1/4" = 1'-0"

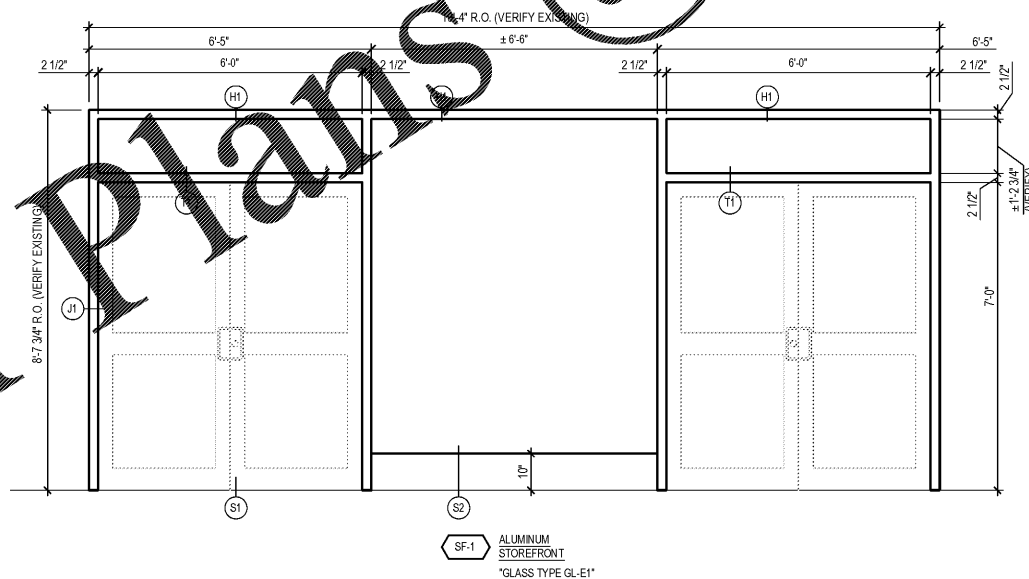
NOTE: GLAZING FOR STOREFRONT ENTRY SYSTEM PROVIDE INSULATED TEMPERED GLASS MATCHING STOREFRONT SYSTEMS "GLASS TYPE GL-E1"

PROVIDE MOISTURE RESISTANT DOOR



Steel Frame Type

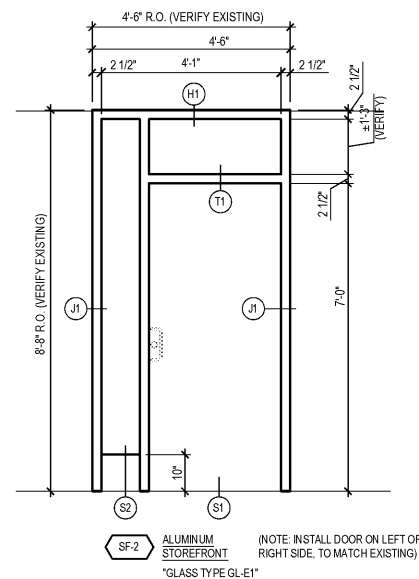
SCALE: 1/4" = 1'-0"



Aluminum-Framed Storefront Elevations

SCALE: 1/2" = 1'-0"

NOTE: PROVIDE GLASS TYPES AS SPECIFIED IN DIVISION 8 SECTION "GLAZING"

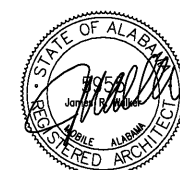


ALUMINUM STOREFRONT "GLASS TYPE GL-E1"

(NOTE: INSTALL DOOR ON LEFT OR RIGHT SIDE, TO MATCH EXISTING)

EXTERIOR DOORS, HARDWARE AND STOREFRONT REPLACEMENT MOBILE, ALABAMA

GMC NO. AMOB170029.004



SCHEDULE AND DETAILS STUDENT LIFE BUILDING F

A5.0F

ISSUE DATE

ISSUE FOR BID 12/19/2018

DRAWN BY: ALS/GLH

CHECKED BY: JCL

11 North Water Street, Suite 15250  
Mobile, AL 36602  
T 251.460.4006  
GMCNETWORK.COM



Order Plans @

WWW.LDMLINE.COM