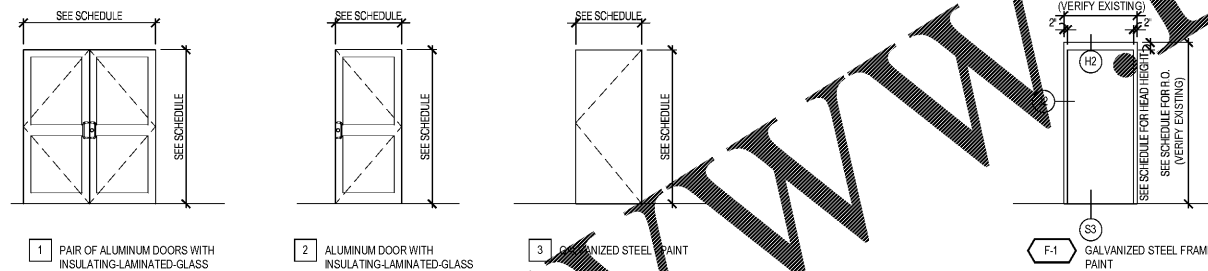


OPENING SCHEDULE

Door Number	REFERENCE	DOOR FRAME TYPE	DOOR TYPE	DOOR						FRAME		HEAD HGT.	ROUGH OPENING	DOUBLE DOOR	FIRE RATING	HEAD	JAMB	SILL	COMMENTS
				WIDTH	HEIGHT	THK	MAT'L	FINISH	MAT'L	FINISH									
D1	1/A2.0D	SF-1	(2) 1	6'-0"	7'-0"	1 3/4"	AL	--	AL	--	2 1/2"	14'-8"W x 8'-0"H	2 PAIR	--	H1/A5.0A	J1/A5.0A	H1/A5.0A		
D2	2/A2.0D	SF-2	2	3'-0"	7'-0"	1 3/4"	AL	--	AL	--	2 1/2"	6'-7"W x 8'-0"H	No	--	H1/A5.0A	J1/A5.0A	H1/A5.0A		
D3	3/A2.0D	F-1	3	3'-0"	6'-8"	1 3/4"	GHM	--	GHM	--	2"	3'-4"W x 6'-10 1/2"H	No	--	H2/A5.0B	J2/A5.0B	S3/A5.0B		
D4	4/A2.0D	SF-2	2	3'-0"	7'-0"	1 3/4"	AL	--	AL	--	2 1/2"	6'-7"W x 8'-0"H	No	--	H1/A5.0A	J1/A5.0A	H1/A5.0A		
D5	5/A2.0D	F-1	3	3'-0"	6'-8"	1 3/4"	GHM	--	GHM	--	2"	3'-4"W x 6'-10 1/2"H	No	--	H2/A5.0B	J2/A5.0B	S3/A5.0B		
D6	6/A2.0D	SF-2	2	3'-0"	7'-0"	1 3/4"	AL	--	AL	--	2 1/2"	6'-7"W x 8'-0"H	No	--	H1/A5.0A	J1/A5.0A	H1/A5.0A		
D7	7/A2.0D	F-1	3	3'-0"	6'-8"	1 3/4"	GHM	--	GHM	--	2"	3'-4"W x 6'-10 1/2"H	No	--	H2/A5.0B	J2/A5.0B	S3/A5.0B		
D8	8/A2.0D	SF-3	1	6'-0"	7'-0"	1 3/4"	AL	--	AL	--	2 1/2"	6'-3 1/2"W x 7'-11 1/4"H	Yes	--	H1/A5.0A	J1/A5.0A	H1/A5.0A		
D9	9/A2.0D	SF-3	1	6'-0"	7'-0"	1 3/4"	AL	--	AL	--	2 1/2"	6'-3 1/2"W x 7'-11 1/4"H	Yes	--	H1/A5.0A	J1/A5.0A	H1/A5.0A		
D10	10/A2.0D	F-1	3	2'-8"	6'-8"	1 3/4"	GHM	--	GHM	--	2"	3'-0 1/4"W x 6'-10 1/2"H	No	--	H2/A5.0B	J2/A5.0B	S3/A5.0B		
D11	11/A2.0D	SF-3	1	6'-0"	7'-0"	1 3/4"	AL	--	AL	--	2 1/2"	6'-4"W x 7'-11 1/4"H	Yes	--	H1/A5.0A	J1/A5.0A	H1/A5.0A		
D12	12/A2.0D	SF-3	1	6'-0"	7'-0"	1 3/4"	AL	--	AL	--	2 1/2"	6'-3 3/4"W x 7'-10 7/8"H	Yes	--	H1/A5.0A	J1/A5.0A	H1/A5.0A		
D13	13/A2.0D	SF-2	2	3'-0"	7'-0"	1 3/4"	AL	--	AL	--	2 1/2"	6'-7 1/4"W x 8'-0"H	No	--	H1/A5.0A	J1/A5.0A	H1/A5.0A		
D14	14/A2.0D	F-1	3	3'-0"	6'-8"	1 3/4"	GHM	--	GHM	--	2"	3'-4"W x 6'-10 1/4"H	No	--	H2/A5.0B	J2/A5.0B	S3/A5.0B		



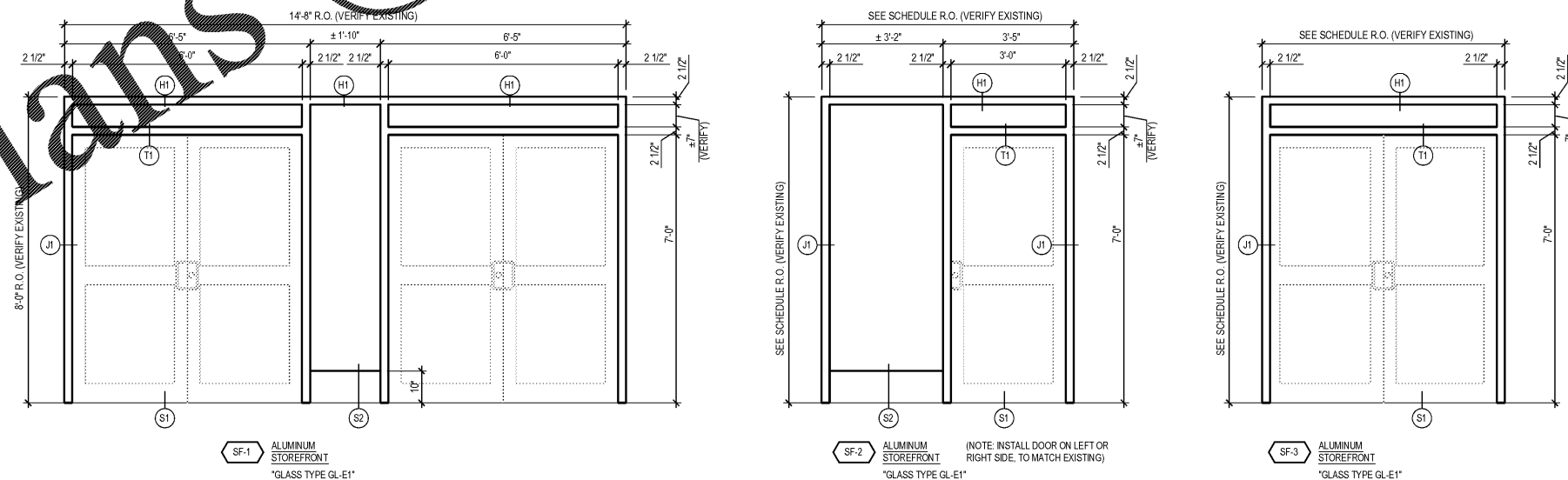
**Door Types**

SCALE: 1/4" = 1'-0"

NOTE: GLAZING FOR STOREFRONT ENTRY SYSTEM. PROVIDE INSULATED TEMPERED GLASS MATCHING STOREFRONT SYSTEMS \*GLASS TYPE GL-E1\*

**Steel Frame Type**

SCALE: 1/4" = 1'-0"



**Aluminum-Framed Storefront Elevations**

SCALE: 1/2" = 1'-0"

NOTE: PROVIDE GLASS TYPES AS SPECIFIED IN DIVISION 8 SECTION \*GLAZING\*

H  
G  
F  
E  
D  
C  
B  
A

WWW.LDILine.com

Order Plans @

**EXTERIOR DOORS, HARDWARE AND STOREFRONT REPLACEMENT**  
MOBILE, ALABAMA

**GMC NO. AMOB170029.004**



**SCHEDULE AND DETAILS GYMNASIUM BUILDING D**

**A5.0D**

Sheet of

11 North Water Street, Suite 15250  
Mobile, AL 36602  
T 251.460.4006  
GMCNETWORK.COM

**ISSUE DATE**  
ISSUE FOR BID 12/19/2018

--	--	--	--	--	--	--	--	--	--	--

**DRAWN BY:** ALS/GLH  
**CHECKED BY:** JCL

