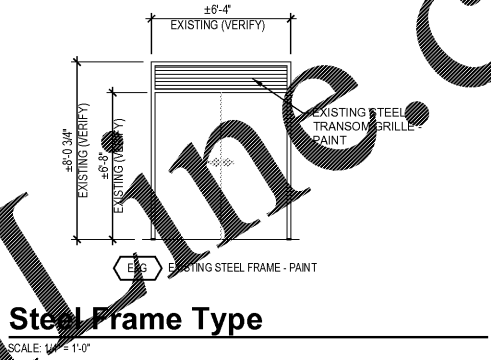
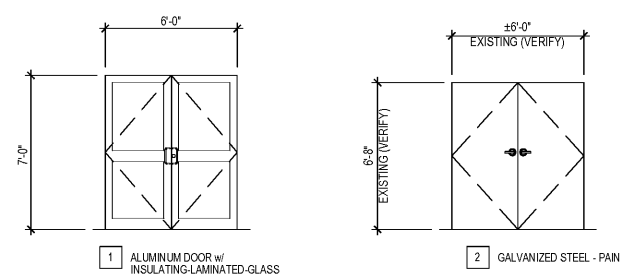
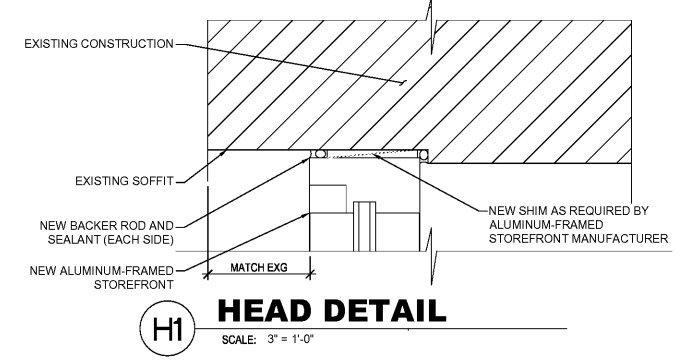


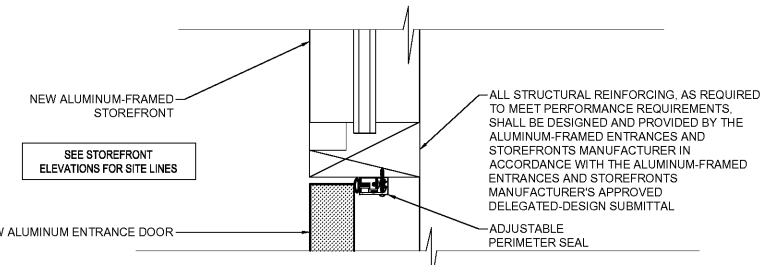
ALTERNATE NO. 2
(SEE SECTION 01030 "ALTERNATES")

Door Number	REFERENCE	DOOR FRAME TYPE	DOOR TYPE	DOOR					FRAME		HEAD HGT.	ROUGH OPENING	DOUBLE DOOR	FIRE RATING	HEAD	JAMB	SILL	COMMENTS
				WIDTH	HEIGHT	THK	MAT'L	FINISH	MAT'L	FINISH								
A1	1/A2.0A	SF-1	1	6'-0"	7'-0"	1 3/4"	AL	--	AL	--	2 1/2"	12-6 5/8"W x 7-11 1/2"H	Yes	---	H1/A5.0A	J1/A5.0A	S1/A5.0A	
A2	2/A2.0A	SF-2	1	6'-0"	7'-0"	1 3/4"	AL	--	AL	--	2 1/2"	8-3"W x 8-11 1/2"H	Yes	---	H1/A5.0A	J1/A5.0A	H1/A5.0A	
A3	3/A2.0A	SF-3	1	6'-0"	7'-0"	1 3/4"	AL	--	AL	--	2 1/2"	8-0 1/2"W x 7-10 1/2"H	Yes	---	H1/A5.0A	J1/A5.0A	H1/A5.0A	
A4	4/A2.0A	SF-4	1	6'-0"	7'-0"	1 3/4"	AL	--	AL	--	2 1/2"	8-3"W x 7-11 3/4"H	Yes	---	H1/A5.0A	J1/A5.0A	H1/A5.0A	
A5	5/A2.0A	EXG	2	6'-0"	7'-0"	1 3/4"	GHM	PNT	EXG	PNT	EXG	6-3 1/2"W x 8-0 3/4"H	Yes	---	EXG	EXG	EXG	RETROFIT DW



Door Types
SCALE: 1/4" = 1'-0"

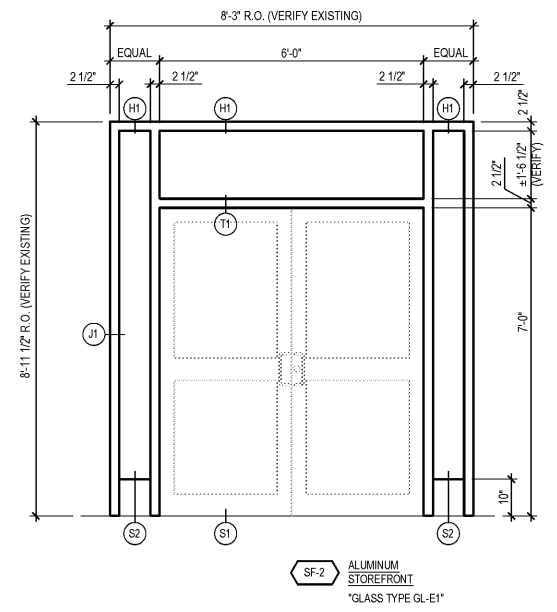
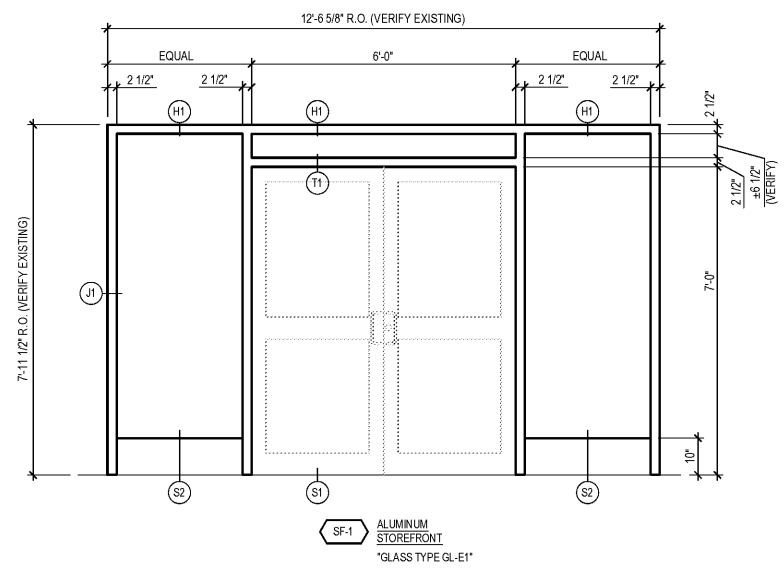
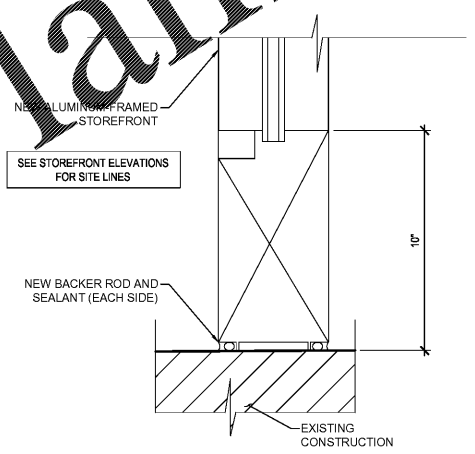
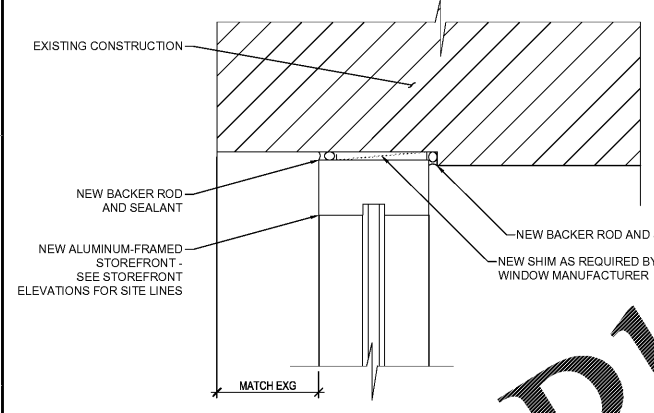
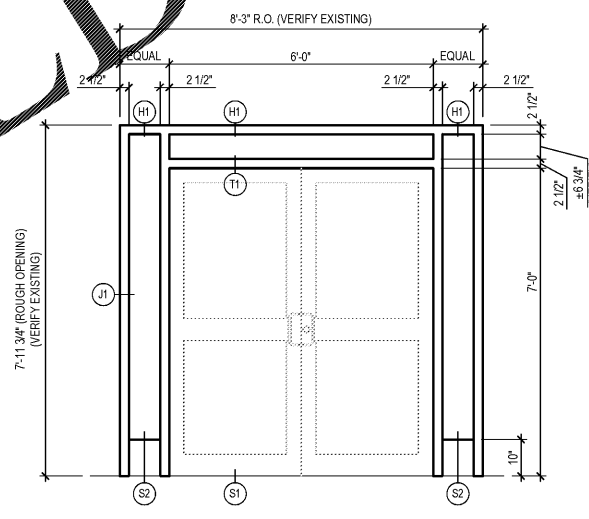
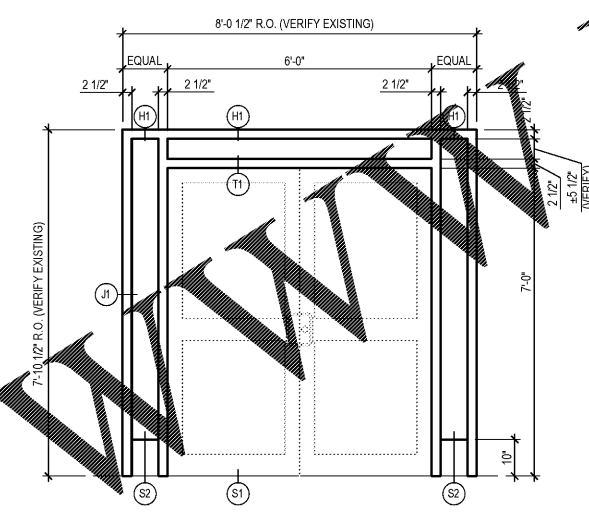
Steel Frame Type
SCALE: 1/4" = 1'-0"



Door Types
SCALE: 1/4" = 1'-0"

NOTE: GLAZING FOR STOREFRONT ENTRY SYSTEM PROVIDE INSULATED TEMPERED GLASS MATCHING STOREFRONT SYSTEMS "GLASS TYPE GL-E1."

PROVIDE MOISTURE RESISTANT DOORS



Aluminum-Framed Storefront Elevations
SCALE: 1/2" = 1'-0"

NOTE: PROVIDE GLASS TYPES AS SPECIFIED IN DIVISION 8 SECTION "GLAZING."

ALTERNATE NO. 2
(SEE SECTION 01030 "ALTERNATES")

GMC

11 North Water Street, Suite 15250
Mobile, AL 36602
T 251.460.4006
GMCNETWORK.COM

ISSUE	DATE
ISSUE FOR BID	12/19/2018

EXTERIOR DOORS, HARDWARE AND STOREFRONT REPLACEMENT
MOBILE, ALABAMA

GMC NO. AMOB170029.004



SCHEDULE AND DETAILS
ADMINISTRATION
BUILDING A

A5.0A
Sheet of