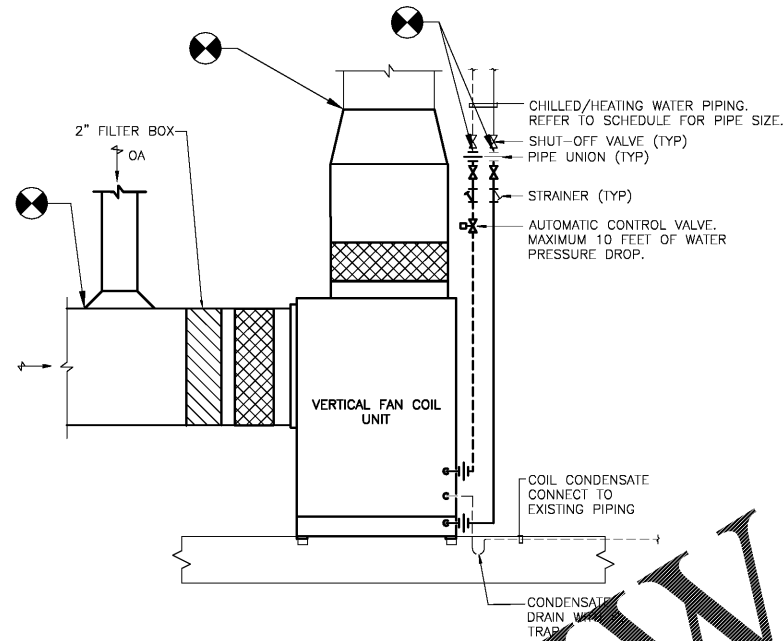


NOTES:  
1. REMOVE EXISTING VERTICAL FAN COIL UNIT.

DETAIL - VERTICAL FAN COIL UNIT - DEMO

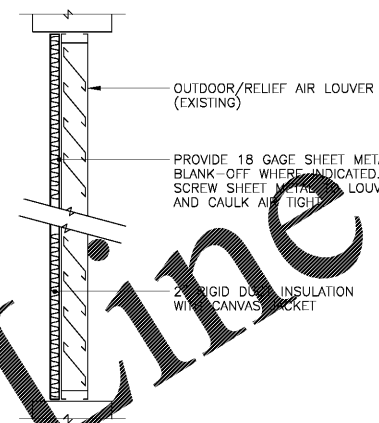
SCALE: NONE 1



NOTES:  
1. PROVIDE FLEXIBLE DUCT CONNECTIONS BEFORE INSTALLATION AS INDICATED ON THE PLANS.  
2. PROVIDE SEISMIC BRACING FOR ALL FAN COIL UNITS, DUCTWORK AND HANGERS PER THE INTERNATIONAL BUILDING CODE AND INTERNATIONAL MECHANICAL CODE.  
3. CONTRACTOR SHALL VERIFY MAXIMUM LOADS OF FAN COIL AND DUCTWORK SUPPORT ASSEMBLIES.  
4. FAN COIL UNITS SHALL BE MOUNTED ON A HOT DIPPED GALVANIZED STEEL STAND. STAND SHALL BE APPROXIMATELY 18\"/>

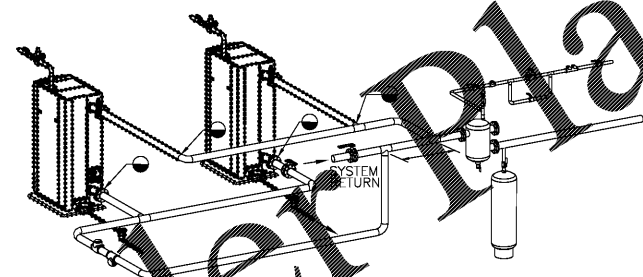
DETAIL - VERTICAL FAN COIL UNIT - NEW

SCALE: NONE 2



DETAIL - LOUVER BLANK OFF

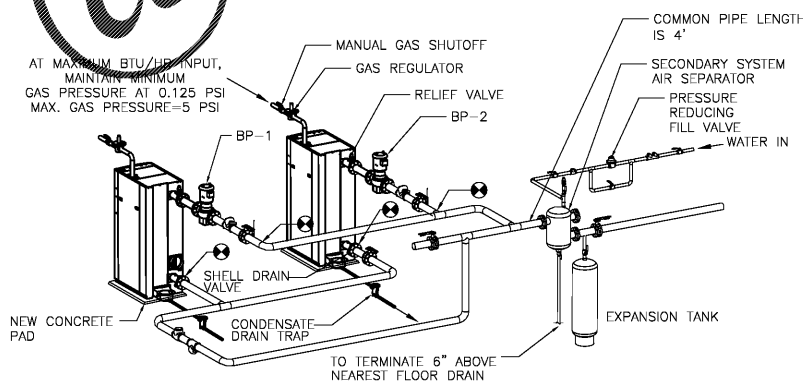
SCALE: NONE 5



NOTES:  
1. BOILERS, PUMPS, AND PIPING TO BE DEMOLISHED AT POINTS SHOWN. OTHER PIPING TO REMAIN.

DETAIL - DEMO BOILER

SCALE: NONE 3



NOTES:  
1. FOR ACTUAL SIZES AND LOCATIONS OF PIPING AND OTHER CONNECTIONS TO THE HEATER, SEE MANUFACTURERS DIMENSIONAL DRAWINGS.  
2. SHELL DRAIN VALVE AND CONDENSATE HOSE SHOULD BE ARRANGED TO PERMIT THE FLUIDS TO DRAIN FREELY, BY GRAVITY, TO A FLOOR DRAIN. RELIEF VALVE DISCHARGE SHOULD BE PIPED TO THE NEAREST FLOOR DRAIN.  
3. THIS IS A TYPICAL INSTALLATION DRAWING. LOCAL CODES AND AUTHORITIES SHOULD BE CONSULTED.  
4. LOCATE WATER INLET AND OUTLET FITTINGS (I.E. UNIONS, ELBOWS, ETC.) A MINIMUM OF 6\"/>

DETAIL - NEW BOILER

SCALE: NONE 4



1800  
3000  
770.425.1111  
WWW.CDH.COM

FULTON COUNTY SCHOOL SYSTEM  
RIVER EVES ELEMENTARY SCHOOL - RENOVATION  
8000 EVES ROAD  
ROSWELL, GA 30076

PROJECT NO: 18046.00

50% CD'S	8/07/2018
PERMIT SET	8/29/2018
95% CD'S	11/08/2018
BID SET	2/03/2018



CONTRACT DOCUMENT  
ISSUED FOR  
CONSTRUCTION

SHEET TITLE

MECHANICAL  
DETAILS

SHEET NUMBER

M403

Order Plans

WWW.LDILLINE.COM