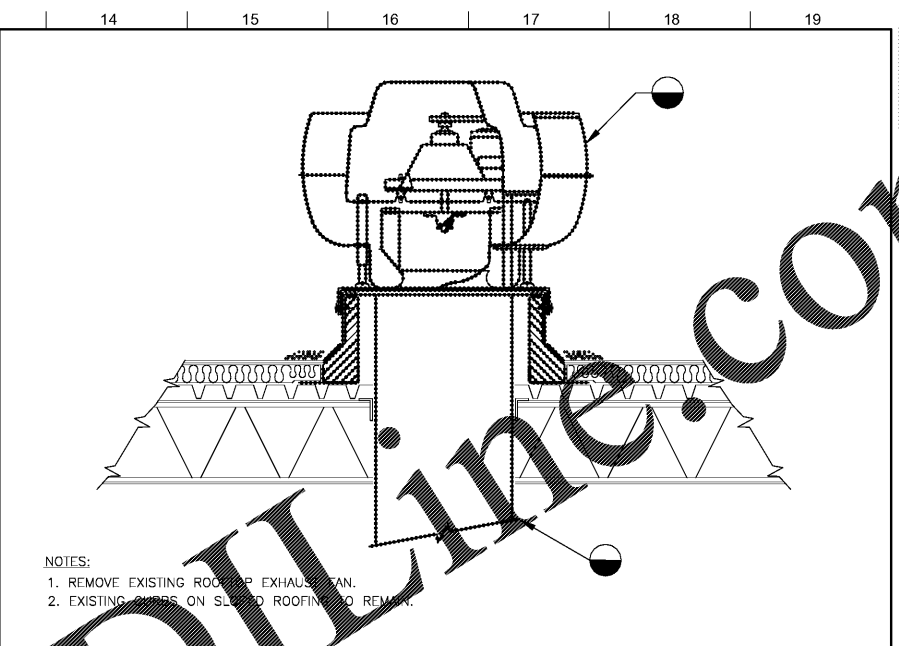


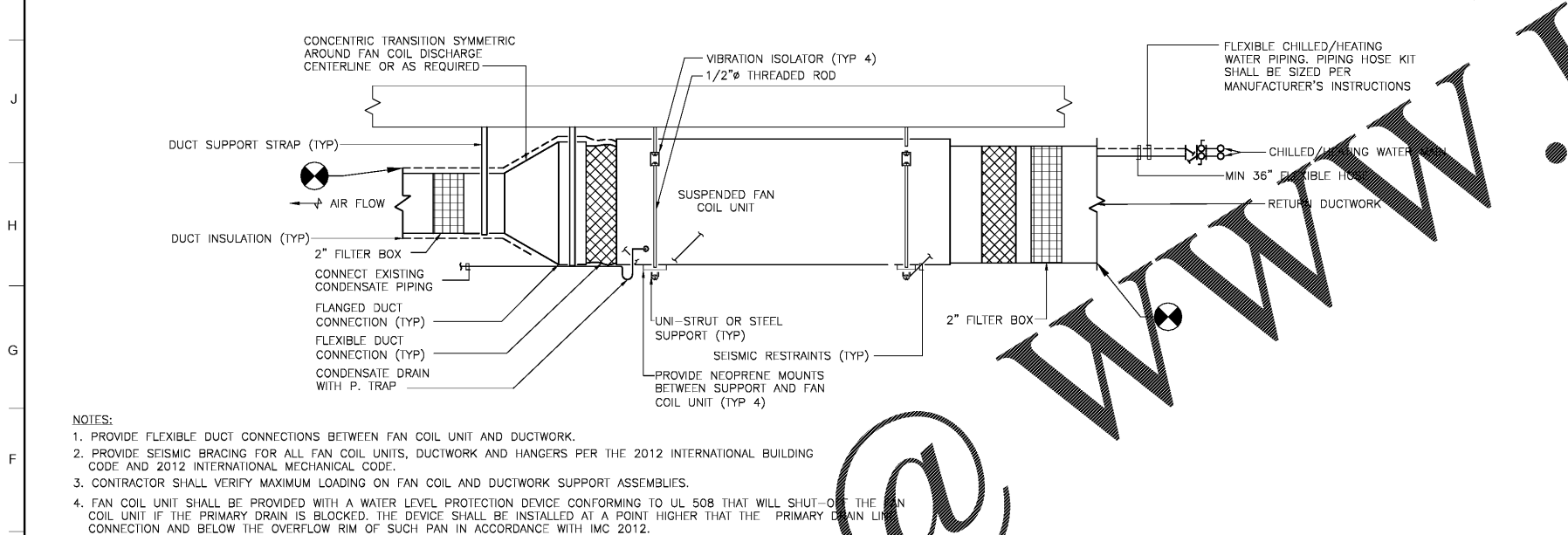
DETAIL - HORIZONTAL FAN COIL UNIT - DEMO

SCALE: NONE ①



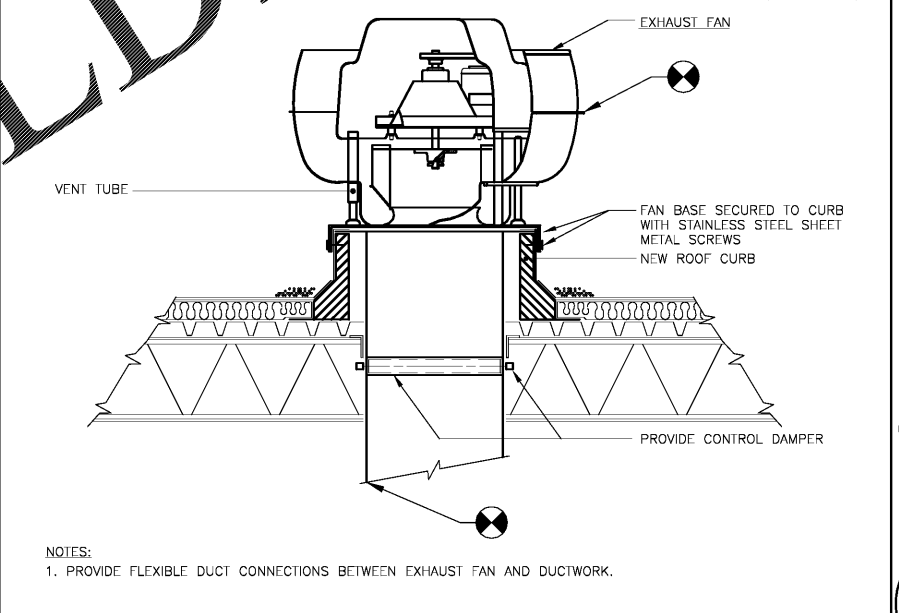
DETAIL - ROOFTOP EXHAUST FAN - DEMO

SCALE: NONE ②



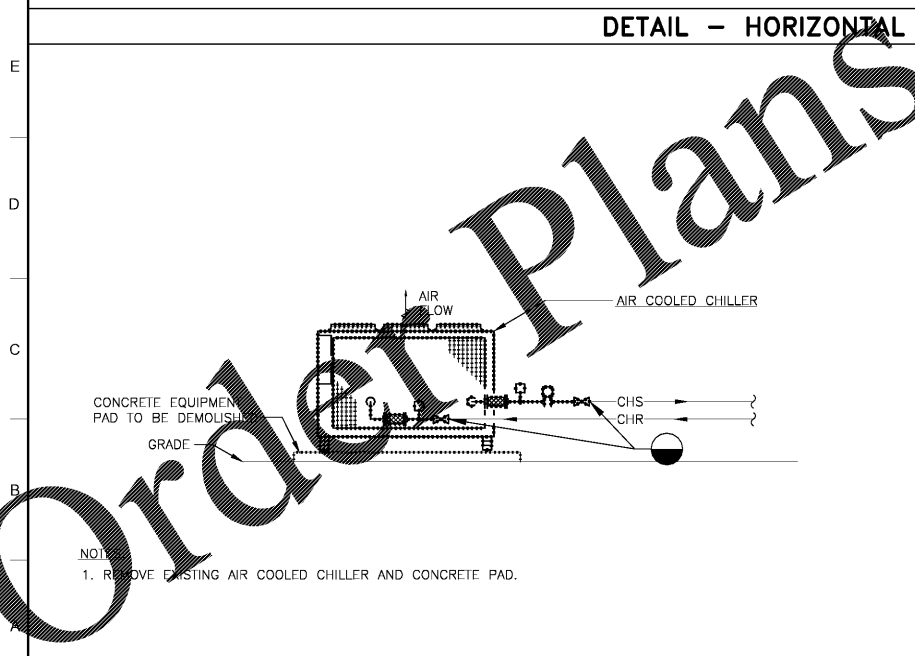
DETAIL - HORIZONTAL FAN COIL UNIT - NEW

SCALE: NONE ③



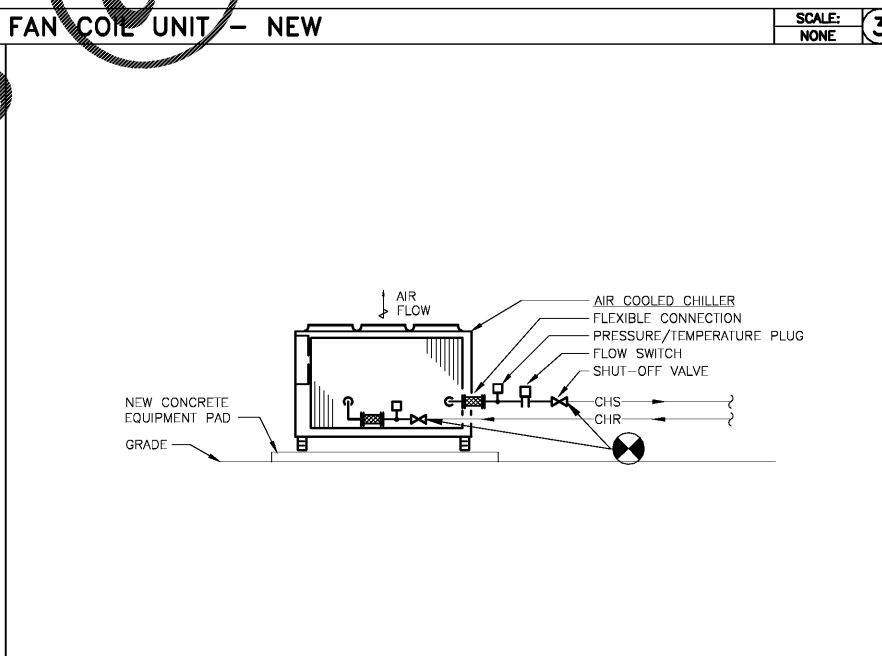
DETAIL - ROOFTOP EXHAUST FAN - NEW

SCALE: NONE ④



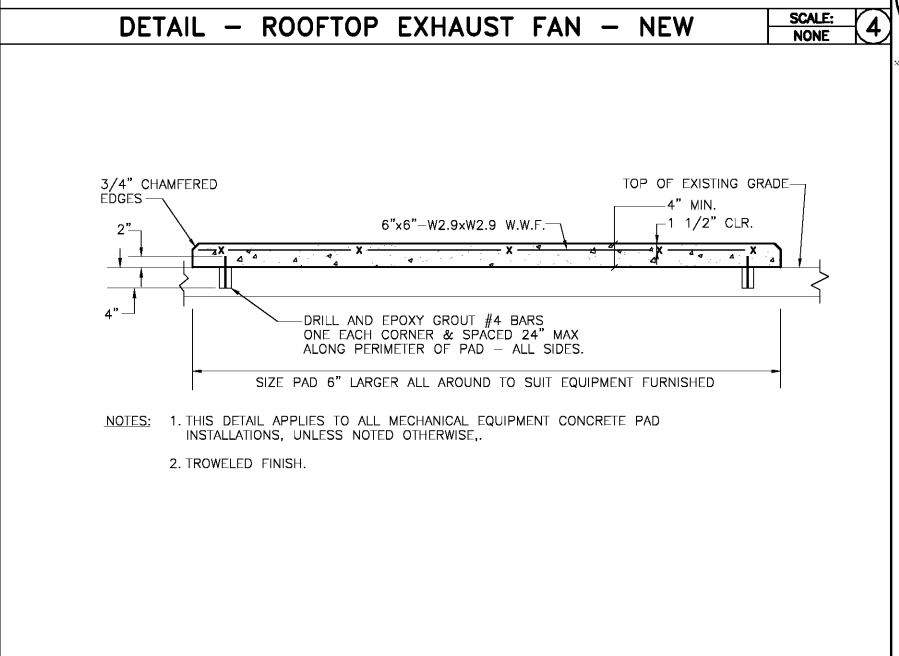
DETAIL - AIR COOLED CHILLER - DEMO

SCALE: NONE ⑤



DETAIL - AIR COOLED CHILLER - NEW

SCALE: NONE ⑥



DETAIL - CONCRETE PAD

SCALE: NONE ⑦

**CD**

FULTON COUNTY SCHOOL SYSTEM  
**RIVER EVES ELEMENTARY SCHOOL - RENOVATION**  
9000 EVES ROAD  
ROSWELL, GA 30076

PROJECT NO:	18046.00
50% CD'S:	08/07/2018
PERMIT SET:	09/20/2018
95% CD'S:	11/08/2018
BID SET:	2/03/2019

**GEORGIA**  
REGISTERED PROFESSIONAL ENGINEER  
DANIEL NOTO

CONTRACT DOCUMENT  
ISSUED FOR  
CONSTRUCTION

SHEET TITLE  
**MECHANICAL DETAILS**

SHEET NUMBER  
**M402**