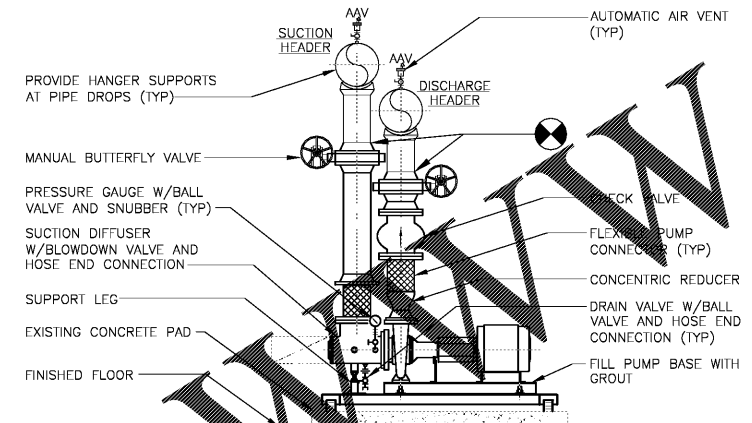
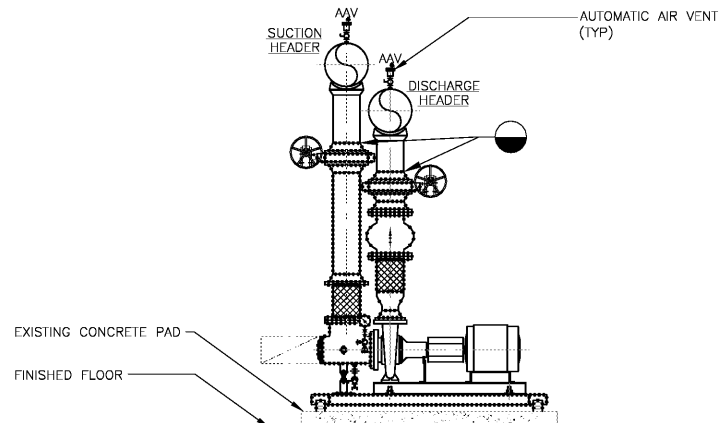


- NOTES:
- HANGER SPACING SHALL BE IN ACCORDANCE WITH THE PROJECT SPECIFICATIONS.
 - CLEVIS TYPE PIPE HANGERS SHALL BE USED FOR PIPE SIZES 10" AND SMALLER AND WHEN PIPING SYSTEMS ARE STATIONARY.
 - PROVIDE SEISMIC SWAY BRACING FOR ALL PIPE HANGERS PER THE INTERNATIONAL BUILDING CODE AND THE INTERNATIONAL MECHANICAL CODE AND THE SMACNA SEISMIC RESTRAINT MANUAL GUIDELINES FOR MECHANICAL SYSTEMS SECOND EDITION - FEBRUARY, 1998 AND ADDENDUM NO. 1 SEPTEMBER, 2000.
 - CONTRACTOR SHALL VERIFY MAXIMUM LOADING ON PIPE SUPPORT ASSEMBLIES.
 - ALL MECHANICAL PIPES AT EXPOSED CEILING STRUCTURES TO RUN DIRECTLY BELOW DECK. PIPES THAT RETURN TO A LOWER ROOM MUST TRAVEL VERTICALLY WITHIN THE WALL.

DETAIL - PIPE HANGER

SCALE: NONE



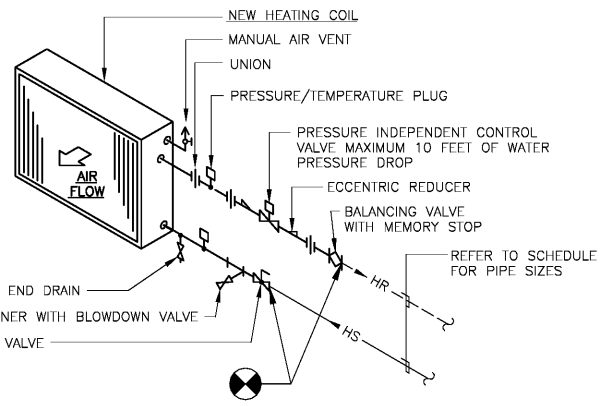
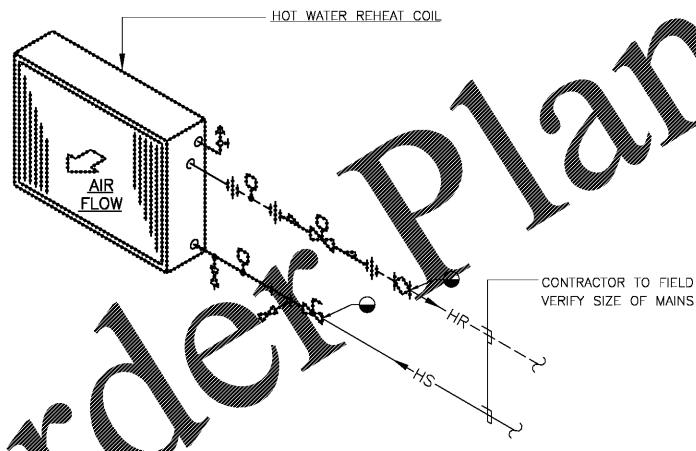
- NOTES:
- PUMP INSTALLATION DETAIL IS DIAGNOSTIC AND INTENDED TO SHOW THE MAJOR COMPONENTS REQUIRED FOR INSTALLATION. THE INSTALLED PIPING CONFIGURATION SHALL BE BASED ON THE ACTUAL PUMP PROVIDED. THE CONTRACTOR SHALL SUBMIT FOR APPROVAL A COORDINATION DRAWING SHOWING PUMP, PIPING AND ACCESSORIES AS REQUIRED BY THIS INSTALLATION DETAIL.
 - INSTALL FLEXIBLE CONNECTORS AT ALL SUCTION AND DISCHARGE PUMP CONNECTIONS. FLEXIBLE HOSE SECTION TO BE 3/4" STAINLESS STEEL, CLOSE PITCH, ANNULAR CORRUGATED HOSE WITH A TYPE 304 BRAIDED OUTER COVERING.
 - PROVIDE ALL NEW PIPING AND ACCESSORIES FROM POINT INDICATED TO NEW PUMP.

DETAIL - CHILLED/HEATING WATER PUMP - DEMO

DETAIL - CHILLED/HEATING WATER PUMP - NEW

DETAIL - COIL CONDENSATE DEEP TRAP

SCALE: NONE



- NOTES:
- CHILLED WATER COIL SHALL BE PIPED SIMILAR.
 - PROVIDE ALL NEW PIPING AND ACCESSORIES FROM POINT INDICATED TO NEW COIL.

DETAIL - 2-WAY VALVE PIPING - DEMO

DETAIL - 2-WAY VALVE PIPING - NEW

SCALE: NONE

PROJECT NO:	18046.00
50% CD'S	8/07/2018
PERMIT SET	8/29/2018
95% CD'S	11/08/2018
BID SET	2/03/2018



CONTRACT DOCUMENT
ISSUED FOR
CONSTRUCTION

SHEET TITLE	MECHANICAL DETAILS
SHEET NUMBER	

M401

Order Plans

WWW.LDLINE.COM

FULTON COUNTY SCHOOL SYSTEM
 RIVER EYES ELEMENTARY SCHOOL - RENOVATION
 9000 EYES ROAD
 ROSWELL, GA 30076