

2 Thickened Slab
Scale: 3/4" = 1'-0"

#5 REBAR CONT. FROM FOOTING TO UNTEL COURSE, 10" MIN. BEND TOP & BOTTOM. PLACE BARS @ 8'-0" O.C. & ADJACENT TO EACH SIDE OF OPENINGS. SEE FOUNDATION PLAN

8" BOND BEAM POURED SOLID W/ ONE - #5 BAR CONTINUOUS

WHERE STEMWALL IS GREATER THAN 4'-0" USE 12" CMU W/ #5 VERTICAL @ 16" O.C.

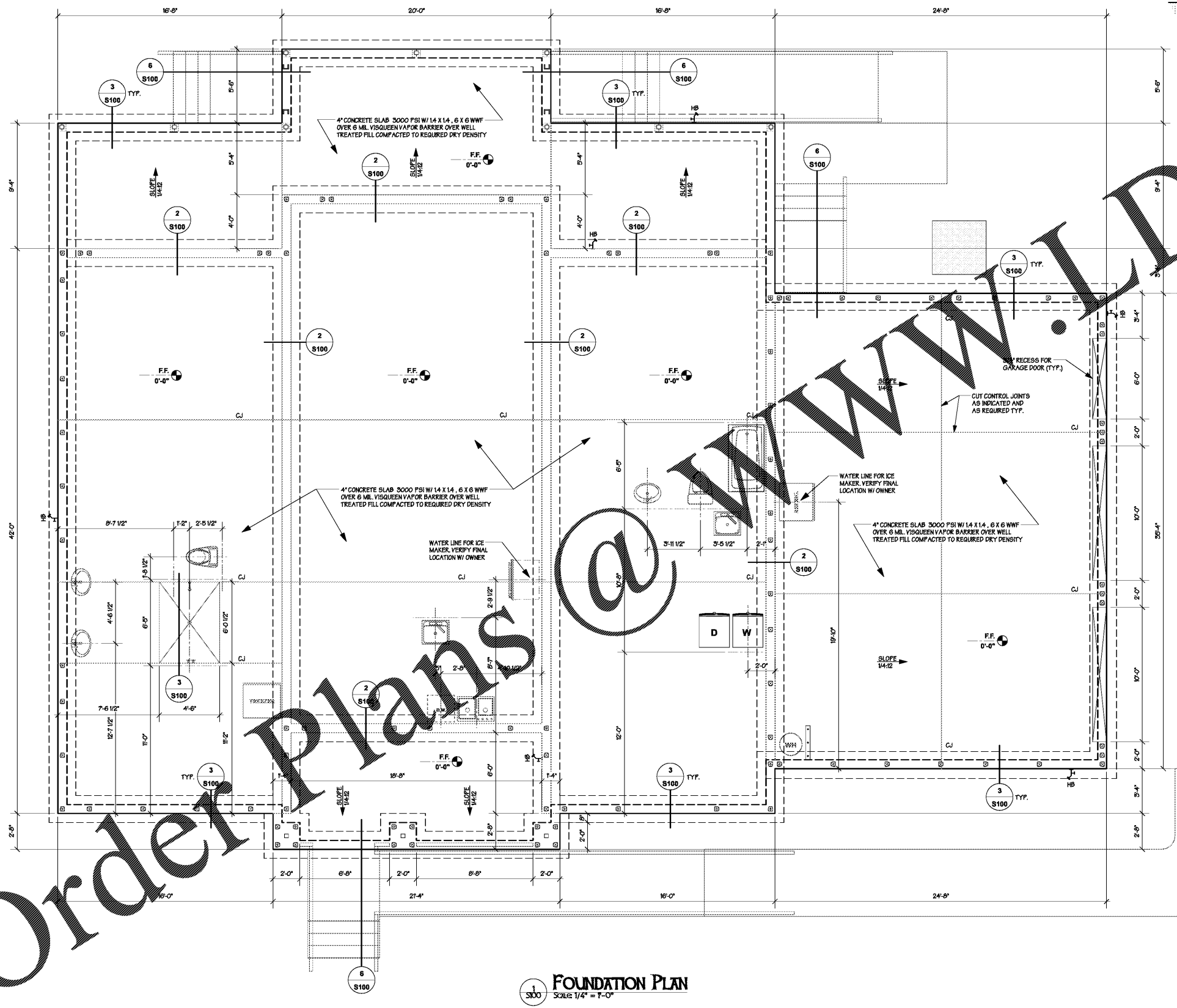
WHERE STEMWALL IS LESS THAN 4'-0" USE #5 VERT @ 48" O.C.

4" CONCRETE SLAB 3000 PSI W/ 14 X 14, 6 X 6 WWF OVER 6 MIL VISQUEEN VAPOR BARRIER OVER TERMITRE TREATED FILL COMPACTED TO (95%) DRY DENSITY

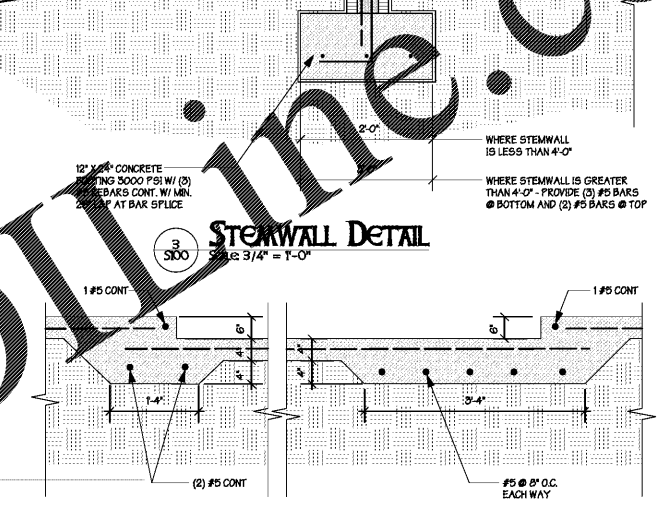
NOTE: GROUT FILL ALL CELLS @ STEMWALLS PRIOR TO BACKFILL. STEMWALLS OVER 48" FILL ALL CELLS BELOW SLAB.

WHERE STEMWALL IS GREATER THAN 4'-0" PROVIDE (1) - #5 BAR CONTINUOUS @ 16" O.C. VERT.

WHERE STEMWALL IS GREATER THAN 4'-0" PROVIDE (2) - #5 BARS @ TOP & BOTTOM AND (2) - #5 BARS @ TOP



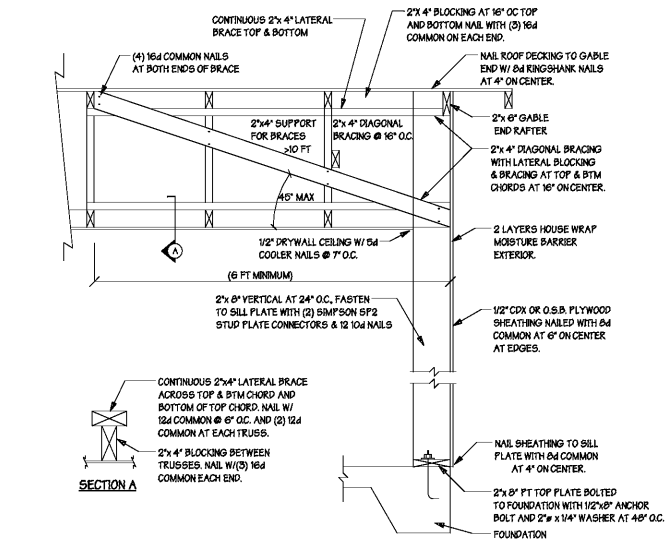
300 FOUNDATION PLAN
Scale: 1/4" = 1'-0"



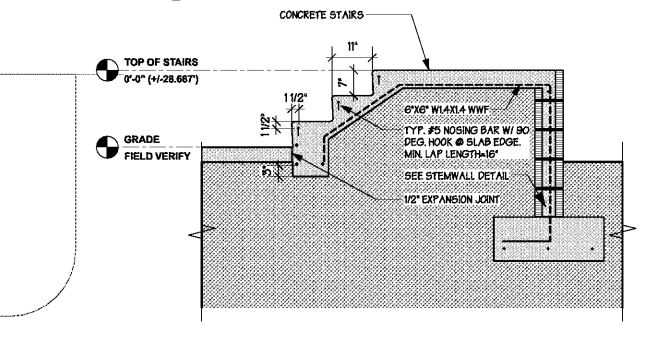
3 Stemwall Detail
Scale: 3/4" = 1'-0"



4 Slab Edge @ Shower
Scale: 3/4" = 1'-0"



5 Vaulted Gable End Detail
Scale: N.T.S.



6 Step Detail
Scale: 1/2" = 1'-0"

REVISIONS DATE: 12/18/18 JOB: D_18017 DRAWN BY: JG JAD	
FOUNDATION PLAN FOUNDATION PLAN / STRUCTURAL DETAILS	
FOUNDATION PLAN FOUNDATION PLAN / STRUCTURAL DETAILS	
Order Plans @ WWW.DLINE.COM	
A New Residence for Harper / Adkins 14720 NE 248th Ave. Fort McCoy, FL 32134	
S100	OF 8
Permit Set	

DONAHUE ARCHITECTURE, INC.
 1202 SW 17th Street, Ste. 201-165
 Ocala, FL 34471
 T 352.867.5148
 E john@donahue-arch.com
 FL # AC30000933, CA # R4012363
 FL Engineering CA # 22147, ID # 162600646

DA
 COPYRIGHT © 2018
 ALL RIGHTS RESERVED. ANY REUSE OR
 PRODUCTION OF THESE PLANS WITHOUT
 THE WRITTEN PERMISSION OF DONAHUE ARCHITECTURE, INC. IS
 STRICTLY PROHIBITED AND WILL BE PUNISHED BY LEGAL ACTION.