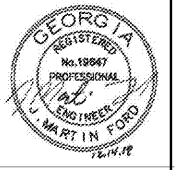


HVAC & LIGHTING REPLACEMENT AT  
**TAYLORSVILLE ELEMENTARY SCHOOL**

1502 OLD ALABAMA ROAD, TAYLORSVILLE, GA 30078  
 FOR THE BARTOW COUNTY SCHOOL SYSTEM - DR. PHILLIP D. PAGE, SUPERINTENDENT  
 CARTERSVILLE, GEORGIA



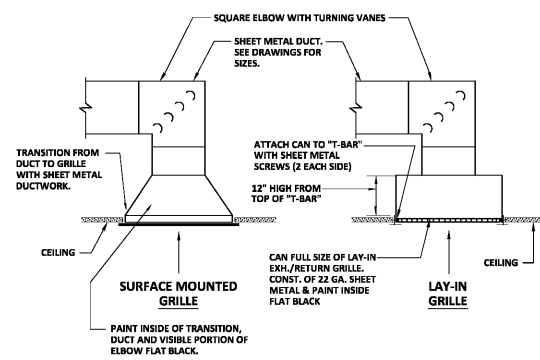
**FRUIT, FORD & ASSOCIATES, INC.**  
 CONSULTING ENGINEERS  
 100 BROAD STREET, SUITE 3A  
 ATLANTA, GEORGIA 30309  
 770-259-1100 FAX 770-259-1107

THESE DOCUMENTS OF SERVICE, REMAIN THE PROPERTY OF FRUIT, FORD & ASSOCIATES, INC. PART THEREOF MAY BE USED OR REPRODUCED IN ANY FORM WITHOUT WRITTEN PERMISSION

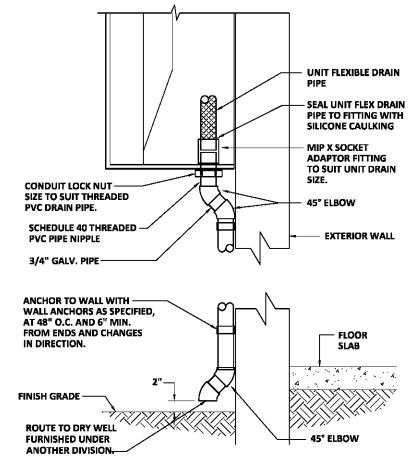
DATE	
REVISIONS	
NO.	

CONSTRUCTION DOCUMENTS

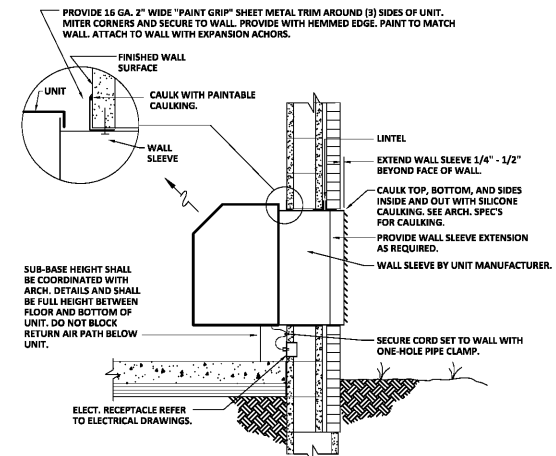
HVAC PLAN  
 SCALE: 1/8" = 1'-0"  
 SHEET  
**M3.01**  
 16 OF 32  
 FILE: 18.04  
 DATE: 12/14/18



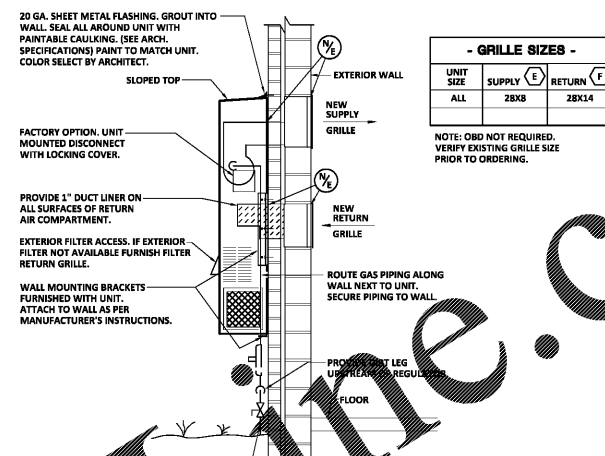
**1 EXHAUST/RETURN GRILLE CONNECTION DETAILS**  
 M3.01 NOT TO SCALE



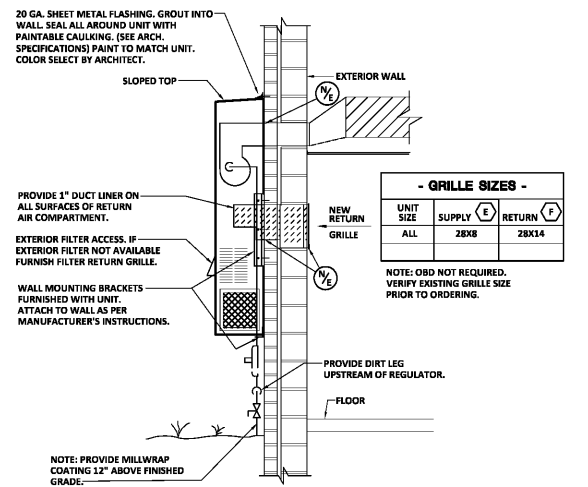
**2 WGU DRAIN DETAIL**  
 M3.01 NOT TO SCALE



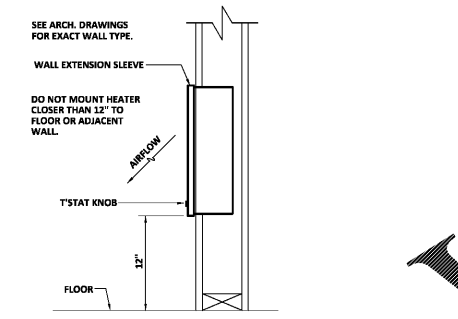
**3 THRU-THE-WALL UNIT DETAILS**  
 M3.01 NOT TO SCALE



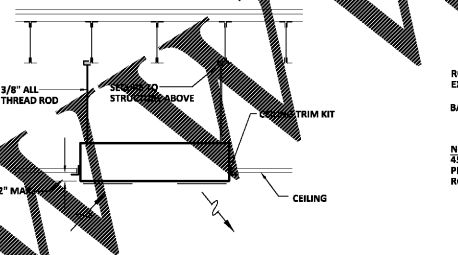
**4 WALL MOUNTED GAS-FIRED UNIT DETAIL**  
 M3.01 NOT TO SCALE



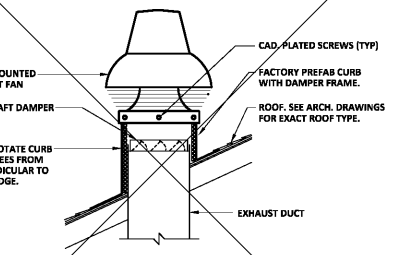
**5 WALL MOUNTED HEAT PUMP DETAIL**  
 M3.01 NOT TO SCALE



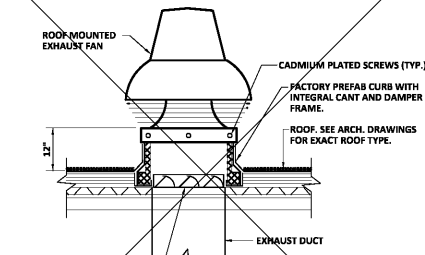
**6 ELECTRIC WALL HEATER DETAIL**  
 M3.01 NOT TO SCALE



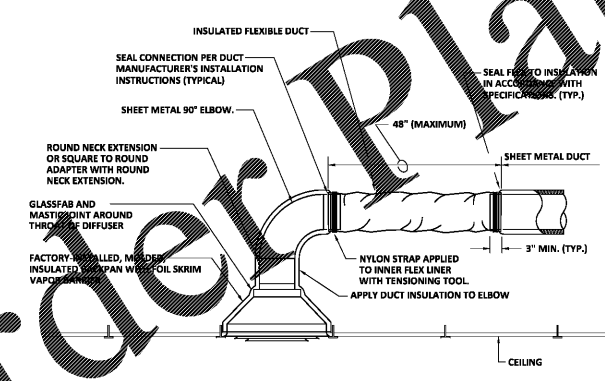
**7 CABINET HEATER DETAIL**  
 M3.01 NOT TO SCALE



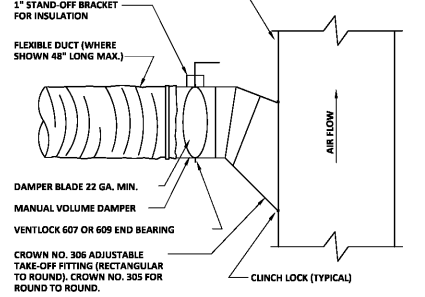
**8 NOT USED**  
 M3.01 NOT TO SCALE



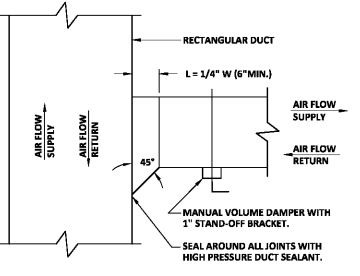
**9 NOT USED**  
 M3.01 NOT TO SCALE



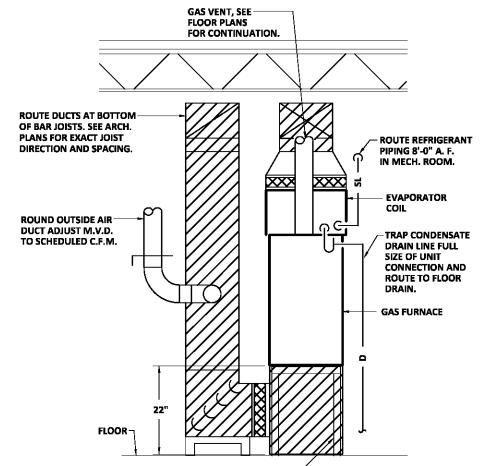
**10 FLEXIBLE ROUND DUCT CONNECTION DETAIL**  
 M3.01 NOT TO SCALE



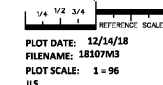
**11 SUPPLY DUCT TAKE-OFF FITTING DETAIL**  
 M3.01 NOT TO SCALE



**12 RECTANGULAR SUPPLY AND RETURN DUCT TAKE-OFF DETAIL**  
 M3.01 NOT TO SCALE



**13 SECTION OF GAS FURNACE**  
 M3.01 NOT TO SCALE



REFERENCE SCALE  
 PLOT DATE: 12/14/18  
 FILENAME: 18107M3  
 PLOT SCALE: 1 = 96  
 JS

Order Plans @

WWW.LDOnline.COM