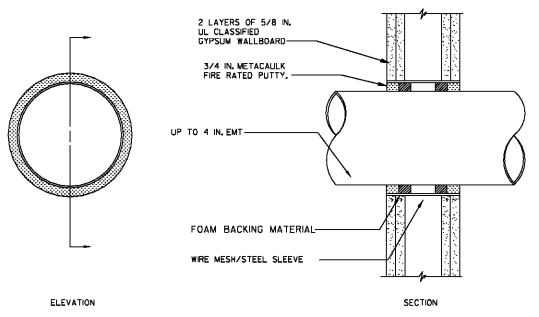
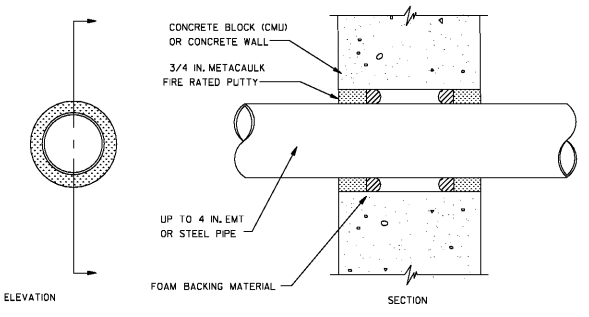


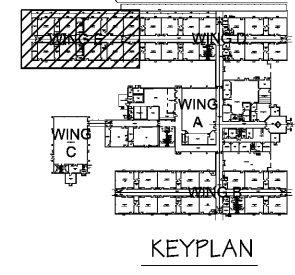
FLOOR PLAN WING E - HVAC
 SCALE: 1/8"=1'-0"



2 DETAIL - GYPSUM WALLBOARD PENETRATION
 E3.5 NOT TO SCALE



3 DETAIL - CONCRETE WALL PENETRATION
 E3.5 NOT TO SCALE



THESE DOCUMENTS, AS INSTRUMENTS OF SERVICE, REMAIN THE PROPERTY OF ELECTRICAL DESIGN CONSULTANTS, INC. PART THEREOF MAY BE USED OR REPRODUCED IN ANY FORM WITHOUT WRITTEN PERMISSION.

DATE	REVISIONS	NO.

Order Plans @ www.LDOnline.com