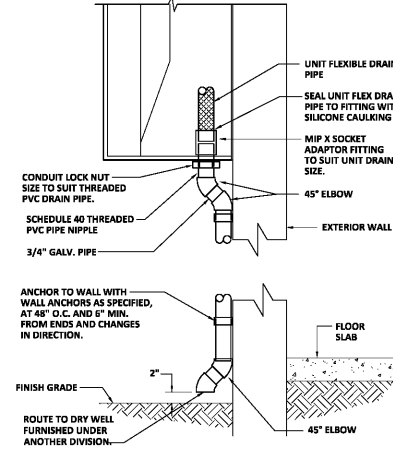
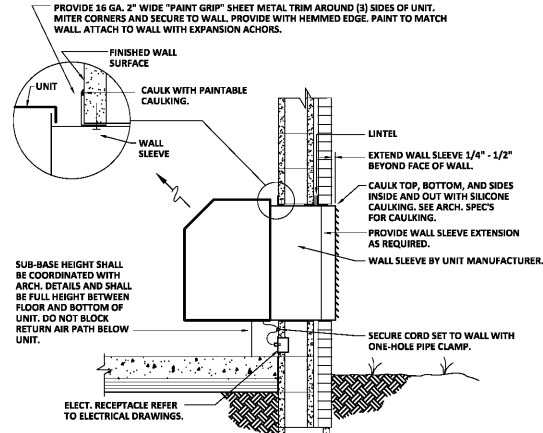


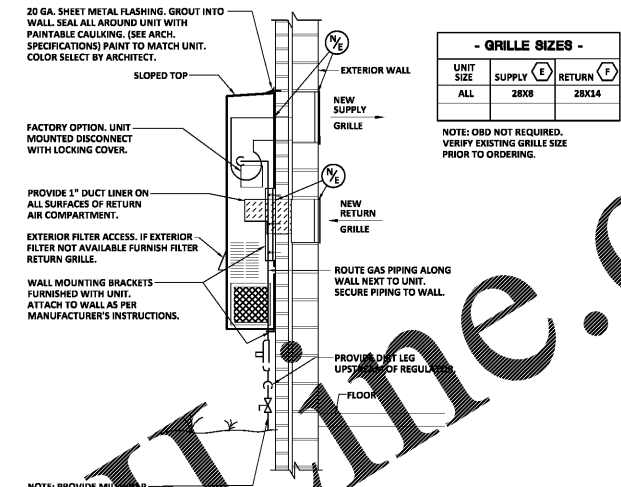
1 EXHAUST/RETURN GRILLE CONNECTION DETAILS
NOT TO SCALE



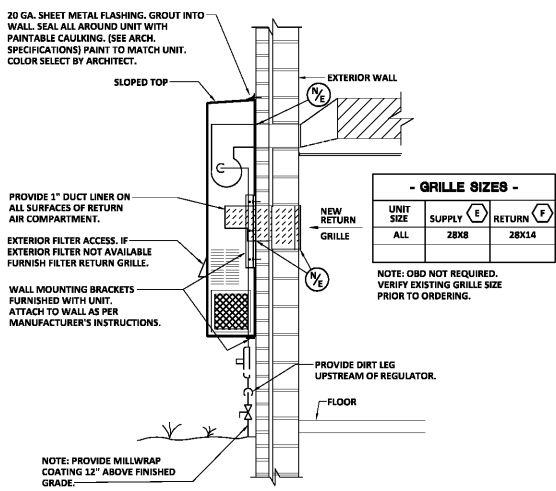
2 WGU DRAIN DETAIL
NOT TO SCALE



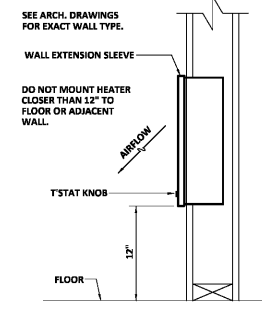
3 THRU-THE-WALL UNIT DETAILS
NOT TO SCALE



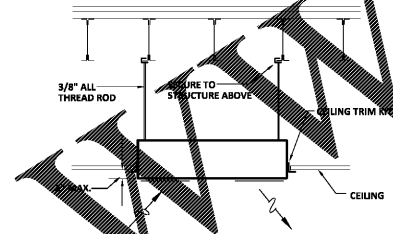
4 WALL MOUNTED GAS-FIRED UNIT DETAIL
NOT TO SCALE



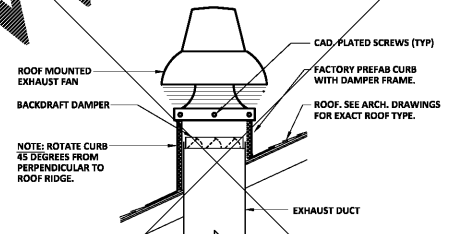
5 WALL MOUNTED HEAT PUMP DETAIL
NOT TO SCALE



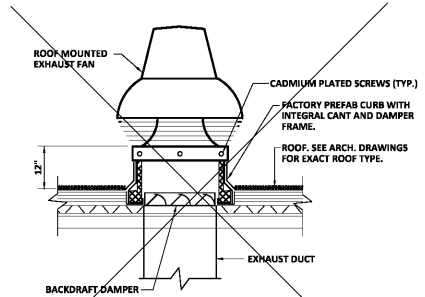
6 ELECTRIC WALL HEATER DETAIL
NOT TO SCALE



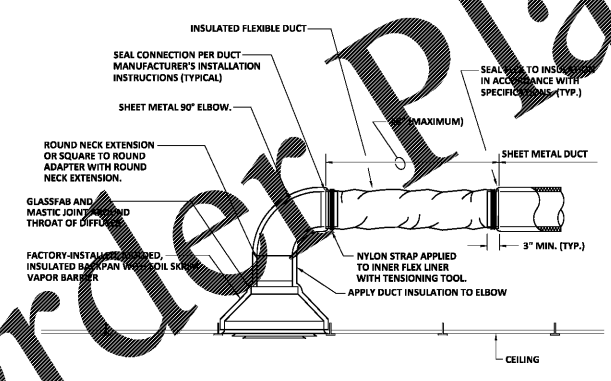
7 CABINET HEATER DETAIL
NOT TO SCALE



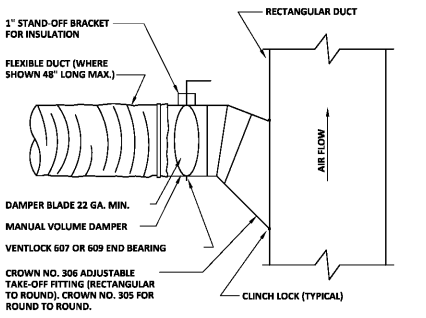
8 NOT USED
NOT TO SCALE



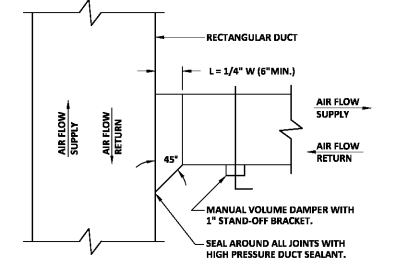
9 NOT USED
NOT TO SCALE



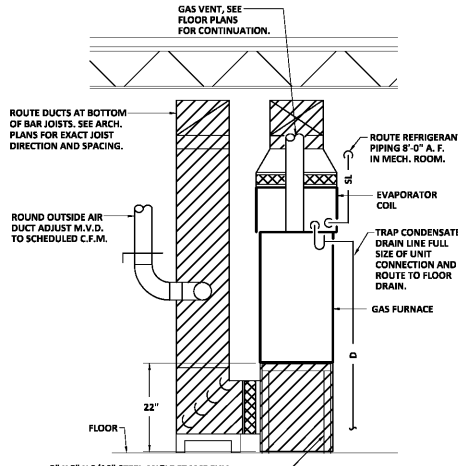
10 FLEXIBLE ROUND DUCT CONNECTION DETAIL
NOT TO SCALE



11 SUPPLY DUCT TAKE-OFF FITTING DETAIL
NOT TO SCALE



12 RECTANGULAR SUPPLY AND RETURN DUCT TAKE-OFF DETAIL
NOT TO SCALE



13 SECTION - GAS FURNACE
NOT TO SCALE



FRUETT, RORD & ASSOCIATES, INC.
CONSULTING ENGINEERS
200 BROAD STREET, SUITE 3A
ALBANY, GEORGIA 31706
707-228-8800 • FAX 707-228-5207

THESE DOCUMENTS, AS INSTRUMENTS OF SERVICE, REMAIN THE PROPERTY OF THE ARCHITECT AND NO PART OF THESE DOCUMENTS ARE TO BE REPRODUCED IN ANY FORM WITHOUT WRITTEN PERMISSION.

Table with columns: NO., DATE, REVISIONS.

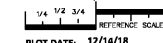
CONSTRUCTION DOCUMENTS

HVAC PLAN
SCALE: 1/8" = 1'-0"

SHEET
M3.01

16 OF 32

FILE: 18.04
DATE: 12/14/18



REFERENCE SCALE
PLOT DATE: 12/14/18
FILENAME: 18106M3
PLOT SCALE: 1 = 96
JLS

Order Plans @

WWW.LDOnline.com