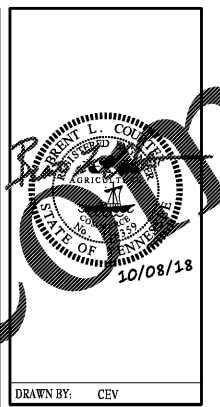


NATIONAL ACCOUNT - ROOFTOP UNIT SCHEDULE - 7.5 TON - GAS (3-PHASE) - BY O'REILLY																							
RTU - RESPONSIBILITIES 1.) ALL CARRIER HVAC UNITS ARE OWNER SUPPLIED BY O'REILLY AUTOMOTIVE. 2.) MECHANICAL CONTRACTOR IS RESPONSIBLE FOR THE INSTALLATION OF ALL CARRIER HVAC UNITS. 3.) MECHANICAL CONTRACTOR IS RESPONSIBLE FOR THE FIRST YEAR LABOR WARRANTY ON ALL OWNER SUPPLIED EQUIPMENT. 4.) MECHANICAL CONTRACTORS WORKING ON O'REILLY PROJECTS MUST CALL "CARRIER CORPORATION'S NATIONAL ACCOUNTS" DEPARTMENT FOR CONFIRMATION OF ORDERS ONLY! 5.) MECHANICAL CONTRACTOR IS RESPONSIBLE FOR SCHEDULING, SHIPPING & RECEIVING OF ALL CARRIER UNITS FROM CARRIER NATIONAL ACCOUNTS. CONTACT CUSTOMER SERVICE REP. LISTED TO THE RIGHT.										CALL THE CARRIER CUSTOMER SERVICE REP. BELOW FOR CONFIRMATION OF ORDERS. DO NOT CALL CARRIER FOR QUOTES! CARRIER CORPORATION, STRATEGIC ACCOUNTS, CARRIER PARKWAY, SYRACUSE, NEW YORK 13221 CUSTOMER SERVICE REPS: MARIA CAMPANELLO 315-432-3946, Maria.campanello@carrier.utc.com ACCOUNT MANAGER: PAUL WITZ, CELL 315-317-2481, paul.witz@carrier.utc.com													
MARK	DESCRIPTION	MFR.	CATALOG NUMBER	HTG. MBH STAGE 1 IN/OUT	HTG. MBH STAGE 2 IN/OUT	TTL. HTG. IN/OUT	THERM. EFF.	CLG. MBH STAGE 1 TOT./SENS.	CLG. MBH STAGE 2 TOT./SENS.	TTL. COOL. TOT./SENS.	IEER	EER	CFM	O.A.	ESP	HP	ELECTRICAL MCA	MOCP	WI. (lbs.)	ACCESSORIES	REMARKS	REF. DTL.	
RTU-1	WEATHERMASTER PACKAGED ROOFTOP UNIT 7.5-TON	CARRIER	48HCRD08K2M5-0F1D0	120/98	60/50	180/148	82%	46.5/36	46.5/36	93/72	13.00	12.00	3000	△	0.6	1.50	208V/230V/3P	41	50*	1172	SEE BELOW	△△△	1/2, 2/M2
ACCESSORIES - FACTORY SUPPLIED AND INSTALLED HE - STAINLESS STEEL GAS HEAT EXCHANGER, (MEDIUM HEAT) (15 YR. WARRANTY). SD - RETURN AIR SMOKE DETECTOR. COF - CONDENSATE OVERFLOW SWITCH (CAN'T BE USED WITH HORIZONTAL RETURN UNITS). MB - MEDIUM STATIC BLOWER, (SINGLE SPEED). HG - LOUVERED HAIL GUARDS. UPO - UN-POWERED CONVENIENCE OUTLET (FIELD POWERED), 15AMP, 120V, GROUND FAULT CIRCUIT INTERRUPTER (GFCI) TYPE. TBEG - THRU-THE-BOTTOM-ELECTRIC & GAS SERVICES. (SEE ROOF TOP UNIT DETAILS). SS - HI & LOW REFRIGERANT SAFETY SWITCHES, (STANDARD ON EVERY UNIT) AF - 2" RETURN AIR FILTERS, (STANDARD ON EVERY UNIT) EC - ENTHALPY ECONOMIZER IV, W/BAROMETRIC RELIEF.										ACCESSORIES - FACTORY SUPPLIED & FIELD INSTALLED CO2 - CO2 SENSOR, WALL MOUNT, #33ZCSPTCO2LCD-01 CO2/SPACE TEMPERATURE SENSOR WITH LCD DISPLAY & NO OVERRIDE. RTRS - REMOTE TEST/RESET STATION, CARRIER #SD-TRM4(CRSDTST001400) FOR REMOTE TESTING/RESETTING OF DUCT SMOKE DETECTOR. SEE HVAC PLAN FOR MOUNTING LOCATIONS. HSA - ALARM/STROBE, CARRIER #6536-GS(CRSOHNSB001A00), AUDIBLE/VISUAL SIGNAL DEVICE FOR SIGNALING ALARM OF DUCT SMOKE DETECTOR. SEE HVAC PLAN FOR MOUNTING LOCATIONS.													
ACCESSORIES - O'REILLY SUPPLIED & FIELD INSTALLED TS1 - GRIDPOINT THERMOSTAT, (NO SUBSTITUTIONS). REFER TO EM SHEETS. DS - NON-FUSED DISCONNECT SWITCH, (GRAYBAR/O'REILLY) SUPPLIED W/ ELECTRICAL BILL OF MATERIALS.										ACCESSORIES - O'REILLY SUPPLIED & FIELD INSTALLED RC1 - ROOF CURB, (12" STANDARD, 14" IN EXTREME SNOW DRIFT AREA'S) ON NEW BUILDING, ROOF CURB IS BY BUILDING MANUFACTURER, ON EXISTING BUILDING, ROOF CURB IS BY GENERAL CONTRACTOR. WEIGHT OF ROOF CURB IS NOT INCLUDED IN THE WEIGHT ABOVE.													
REMARKS △ COOLING CAPACITY BASED ON 80°F EDB AND 67°F EWB. △ CAPACITY BASED ON 95°F AMBIENT TEMPERATURE. △ NOTE HVAC COMPLETION, AT CONSTRUCTION COMPLETION: 1. CONTRACTOR SHALL REPLACE ALL RETURN AIR FILTERS INSIDE ALL HVAC UNITS W/CLEAN NEW AIR FILTERS. 2. CONTRACTOR SHALL SUPPLY AN ADDITIONAL CLEAN SET OF FILTERS TO THE OWNER AT JOB COMPLETION. 3. CONTRACTOR SHALL SHOW THE STORE MANAGER THE LOCATION OF & INSTRUCT HIM/HER HOW TO CHANGE ALL AIR FILTERS.																							

NATIONAL ACCOUNT ROOFTOP UNIT SCHEDULE - 5 TON - GAS (3-PHASE) - BY O'REILLY																						
RTU - RESPONSIBILITIES 1.) ALL CARRIER HVAC UNITS ARE OWNER SUPPLIED BY O'REILLY AUTOMOTIVE. 2.) MECHANICAL CONTRACTOR IS RESPONSIBLE FOR THE INSTALLATION OF ALL CARRIER HVAC UNITS. 3.) MECHANICAL CONTRACTOR IS RESPONSIBLE FOR THE FIRST YEAR LABOR WARRANTY ON ALL OWNER SUPPLIED EQUIPMENT. 4.) MECHANICAL CONTRACTORS WORKING ON O'REILLY PROJECTS MUST CALL "CARRIER CORPORATION'S NATIONAL ACCOUNTS" DEPARTMENT FOR CONFIRMATION OF ORDERS ONLY! 5.) MECHANICAL CONTRACTOR IS RESPONSIBLE FOR SCHEDULING, SHIPPING & RECEIVING OF ALL CARRIER UNITS FROM CARRIER NATIONAL ACCOUNTS. CONTACT CUSTOMER SERVICE REP. LISTED TO THE RIGHT.										CALL THE CARRIER CUSTOMER SERVICE REP. BELOW FOR CONFIRMATION OF ORDERS. DO NOT CALL CARRIER FOR QUOTES! CARRIER CORPORATION, STRATEGIC ACCOUNTS, CARRIER PARKWAY, SYRACUSE, NEW YORK 13221 CUSTOMER SERVICE REPS: MARIA CAMPANELLO 315-432-3946, Maria.campanello@carrier.utc.com ACCOUNT MANAGER: PAUL WITZ, CELL 315-317-2481, paul.witz@carrier.utc.com												
MARK	DESCRIPTION	MFR.	CATALOG NUMBER	HTG. MBH STAGE 1 IN/OUT	HTG. MBH STAGE 2 IN/OUT	TTL. HTG. IN/OUT	THERM. EFF.	CLG. MBH STAGE 1 TOT./SENS.	CLG. MBH STAGE 2 TOT./SENS.	TTL. COOL. TOT./SENS.	IEER	EER	CFM	O.A.	ESP	HP	ELECTRICAL MCA	MOCP	WI. (lbs.)	ACCESSORIES	REMARKS	REF. DTL.
RTU-2	WEATHERMASTER PACKAGED ROOFTOP UNIT 5-TON	CARRIER	48HCTA08K2M5-0F1D0	120/96	30/24	150/120	80%	60.4	48.0	15.20	12.45	2000	△	0.6	1.50	208/3P	30	45*	750	SEE BELOW	△△△	1/2, 2/M2
ACCESSORIES - FACTORY SUPPLIED AND INSTALLED HE - STAINLESS STEEL GAS HEAT EXCHANGER, (HIGH HEAT) (15 YR. WARRANTY). SD - RETURN AIR SMOKE DETECTOR. COF - CONDENSATE OVERFLOW SWITCH (CAN'T BE USED WITH HORIZONTAL RETURN UNITS). MB - MEDIUM STATIC BLOWER, (SINGLE SPEED). HG - LOUVERED HAIL GUARDS. UPO - UN-POWERED CONVENIENCE OUTLET (FIELD POWERED), 15AMP, 120V, GROUND FAULT CIRCUIT INTERRUPTER (GFCI) TYPE. TBEG - THRU-THE-BOTTOM-ELECTRIC & GAS SERVICES. (SEE ROOF TOP UNIT DETAILS). SS - HI & LOW REFRIGERANT SAFETY SWITCHES, (STANDARD ON EVERY UNIT) AF - 2" RETURN AIR FILTERS, (STANDARD ON EVERY UNIT) EC - ENTHALPY ECONOMIZER IV, W/BAROMETRIC RELIEF.										ACCESSORIES - FACTORY SUPPLIED & FIELD INSTALLED CO2 - CO2 SENSOR, WALL MOUNT, #33ZCSPTCO2LCD-01 CO2/SPACE TEMPERATURE SENSOR WITH LCD DISPLAY & NO OVERRIDE. RTRS - REMOTE TEST/RESET STATION, CARRIER #SD-TRM4(CRSDTST001400) FOR REMOTE TESTING/RESETTING OF DUCT SMOKE DETECTOR. SEE HVAC PLAN FOR MOUNTING LOCATIONS. HSA - ALARM/STROBE, CARRIER #6536-GS(CRSOHNSB001A00), AUDIBLE/VISUAL SIGNAL DEVICE FOR SIGNALING ALARM OF DUCT SMOKE DETECTOR. SEE HVAC PLAN FOR MOUNTING LOCATIONS.												
ACCESSORIES - O'REILLY SUPPLIED & FIELD INSTALLED TS1 - GRIDPOINT THERMOSTAT, (NO SUBSTITUTIONS). REFER TO EM SHEETS. DS - NON-FUSED DISCONNECT SWITCH, (GRAYBAR/O'REILLY) SUPPLIED W/ ELECTRICAL BILL OF MATERIALS.										ACCESSORIES - O'REILLY SUPPLIED & FIELD INSTALLED RC1 - ROOF CURB, (12" STANDARD, 14" IN EXTREME SNOW DRIFT AREA'S) ON NEW BUILDING, ROOF CURB IS BY BUILDING MANUFACTURER, ON EXISTING BUILDING, ROOF CURB IS BY GENERAL CONTRACTOR. WEIGHT OF ROOF CURB IS NOT INCLUDED IN THE WEIGHT ABOVE.												
REMARKS △ COOLING CAPACITY BASED ON 80°F EDB AND 67°F EWB. △ CAPACITY BASED ON 95°F AMBIENT TEMPERATURE. △ NOTE HVAC COMPLETION, AT CONSTRUCTION COMPLETION: 1. CONTRACTOR SHALL REPLACE ALL RETURN AIR FILTERS INSIDE ALL HVAC UNITS W/CLEAN NEW AIR FILTERS. 2. CONTRACTOR SHALL SUPPLY AN ADDITIONAL CLEAN SET OF FILTERS TO THE OWNER AT JOB COMPLETION. 3. CONTRACTOR SHALL SHOW THE STORE MANAGER THE LOCATION OF & INSTRUCT HIM/HER HOW TO CHANGE ALL AIR FILTERS.																						



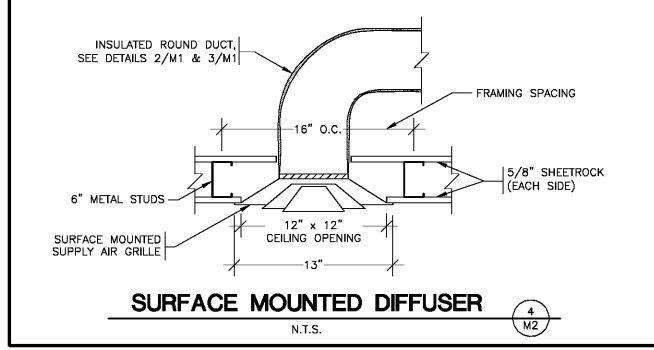
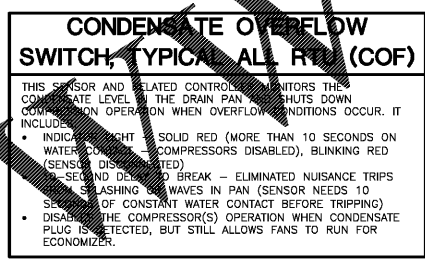
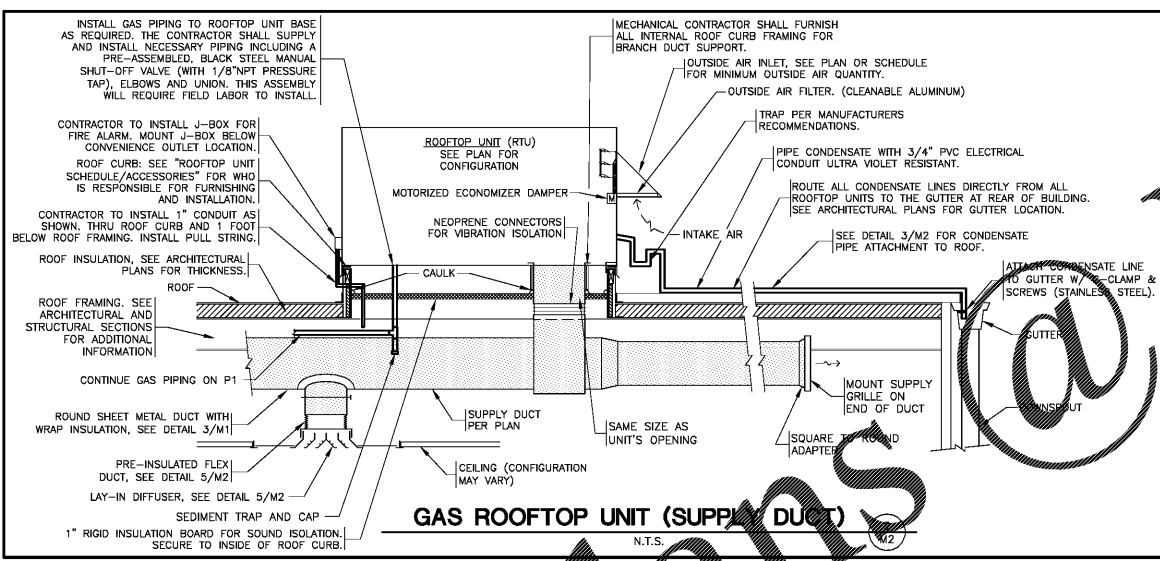
1736 East Sunshine, Suite 417
Springfield, Missouri 65814
417.862.0558
Fax: 417.862.3265
e-mail: architect@esterly.com

ESTERLY SCHNEIDER & ASSOCIATES, INC.
architects & planners APC
AIA

PROJECT: **O'REILLY AUTO PARTS STORE**
U.S. HWY 231
MURFREESBORO, TN #5
HVAC SCHEDULES

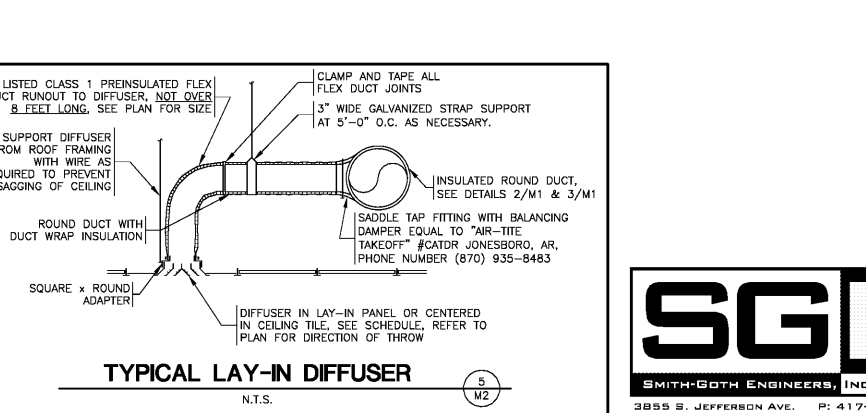
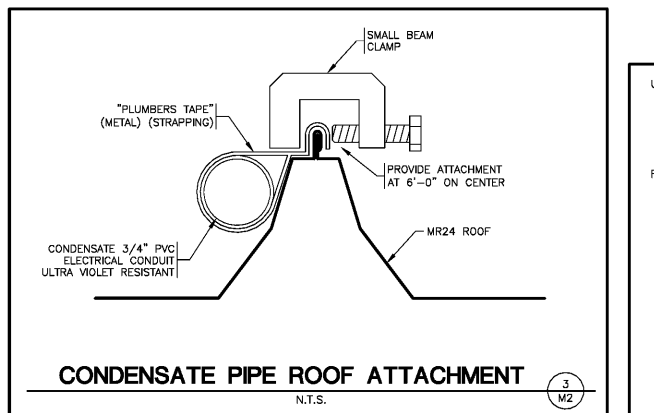
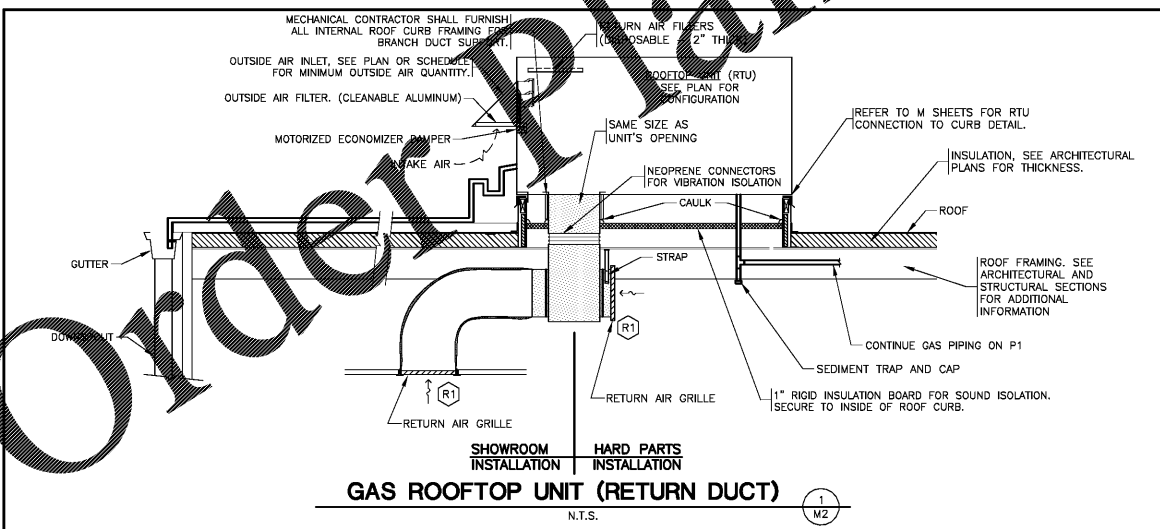
O'Reilly AUTO PARTS
CORPORATE OFFICES
233 SOUTH PATTERSON
SPRINGFIELD, MISSOURI 65802
(417) 862-2674 TELEPHONE

COMM # 4219
DATE: 08-17-18
REVISION DATE: 10-08-18



FAN SCHEDULE												
MARK	DESCRIPTION	MFR.	CATALOG NUMBER	CFM	STATIC PRESS.	MOTOR H.P.	ELECTRICAL V/PH	MCA	MOCP	ACCESSORIES	REMARKS	REF. DETAIL
EF-1	INLINE EXHAUST FAN	COOK	GN-842	500	0.1	195W	120/1	-	-	BD,DS,WC	△△	-
EF-2	INLINE FAN	COOK	GN-842	500	0.1	195W	120/1	-	-	BD,DS,SS	△	-
ACCESSORIES												
BD	GRAVITY BACK DRAFT DAMPER											
DS	DISCONNECT SWITCH											
WC	WALL CAP, "COOK" #WCA-6, ALUMINUM											
SS	FAN SPEED SWITCH "COOK" #FSC (OFFICE ONLY)											
APPROVED ALTERNATE MANUFACTURER'S												
FANS:	*GREENHECK	*CARNES										
REMARKS												
△ ADJUST FOR CFM REQUIRED.												
△ EXHAUST FAN SHALL BE WIRED BY THE ELECTRICAL CONTRACTOR TO OPERATE WITH EITHER RESTROOM'S LIGHT SWITCH.												
△ FAN IN OFFICE TO BE CONTROLLED BY FAN SPEED SWITCH.												

GRILLE AND DIFFUSER SCHEDULE											
MARK	DESCRIPTION	MFR.	CATALOG NUMBER	SIZE (in.)	FINISH	MOUNTING	BRANCH DUCT SIZE	ACCESSORIES	REMARKS	REF. DETAIL	
G1	SUPPLY GRILLE	ANEMOSTAT	S2HO	14x14	WHITE	DUCT	SEE PLAN	OB	△	-	
S1	SUPPLY DIFFUSER	ANEMOSTAT	E-1-D	12x12	WHITE	SURFACE	SEE PLAN	DT	△△	4/M2	
S2	SUPPLY DIFFUSER	ANEMOSTAT	EPL	24x24	WHITE	DUCT/LAY-IN	SEE PLAN	-	△	5/M2	
R1	RETURN GRILLE	ANEMOSTAT	GC5	24x24	WHITE	LAY-IN/EXPOSED	SEE PLAN	-	NON-FILTERED GRILLE	5/M2	
R2	RETURN GRILLE	ANEMOSTAT	GC5	12x12	WHITE	SURFACE	SEE PLAN	-	NON-FILTERED GRILLE	4/M2	
X1	EXHAUST GRILLE	ANEMOSTAT	S3HS	12x12	WHITE	CEILING	SEE PLAN	OB	-	-	
ACCESSORIES											
OB	OPPOSED BLADE DAMPER										
DT	DIRECTIONAL TABS										
REMARKS											
△ 1-WAY											
△ 4-WAY											
△ DIRECTIONAL TABS, ADJUST TO PROVIDE THROW AS INDICATED ON PLANS.											
APPROVED ALTERNATE MANUFACTURER'S											
GRILLES, DIFFUSERS & DAMPERS:	*TUTTLE & BAILEY	*NAILOR	*ARROW	*CARNES							
	*PRICE INDUSTRIES	*TITUS	*KRUEGER								



Order Plans @