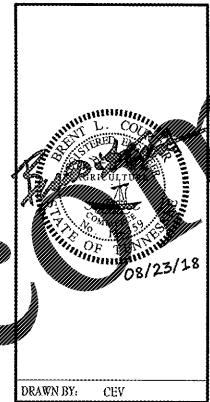
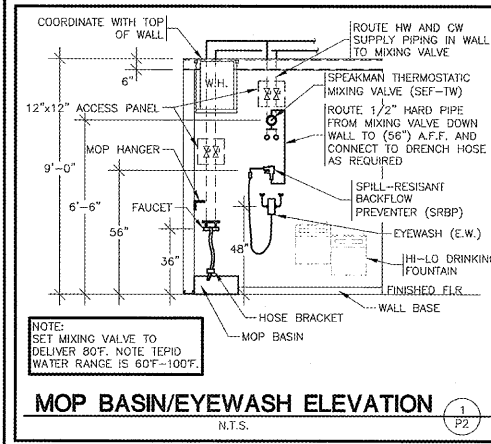
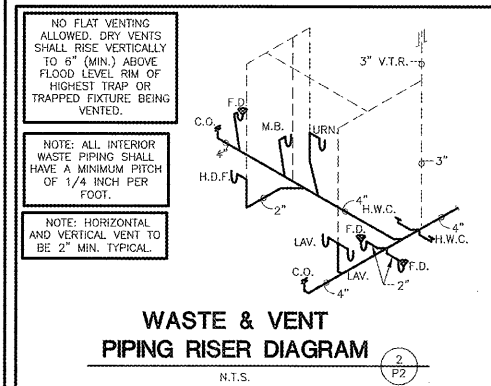
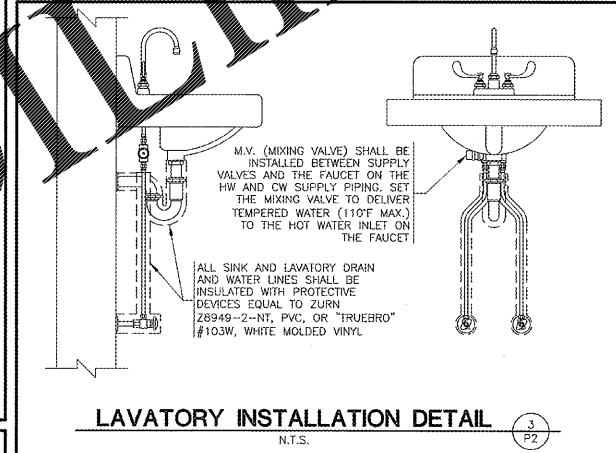
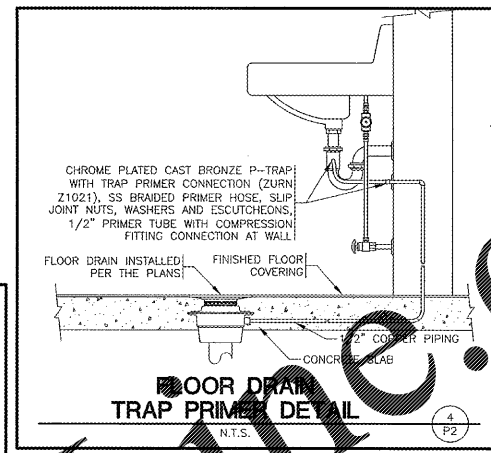
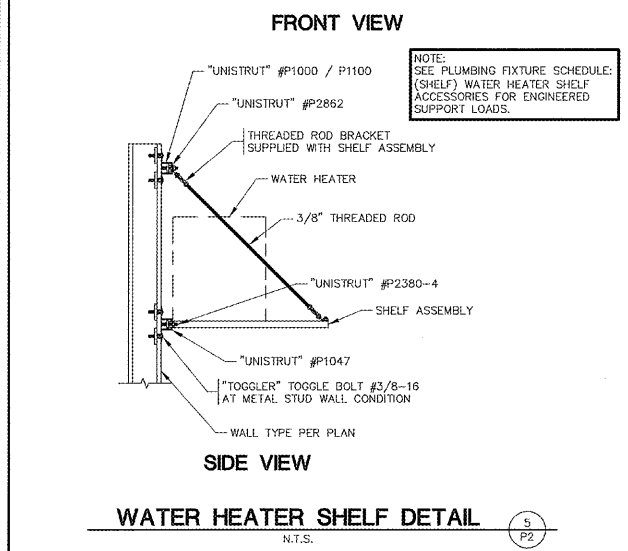
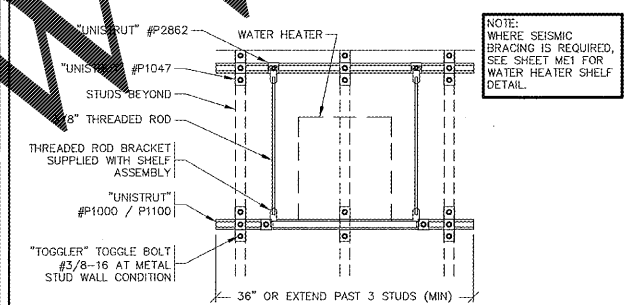
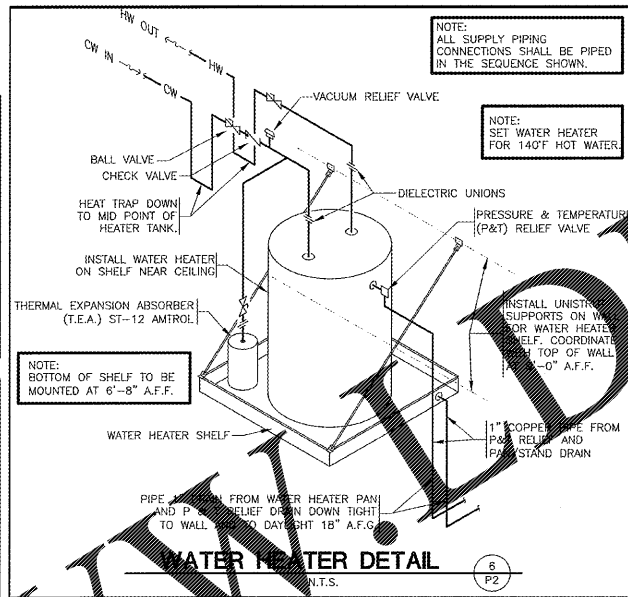
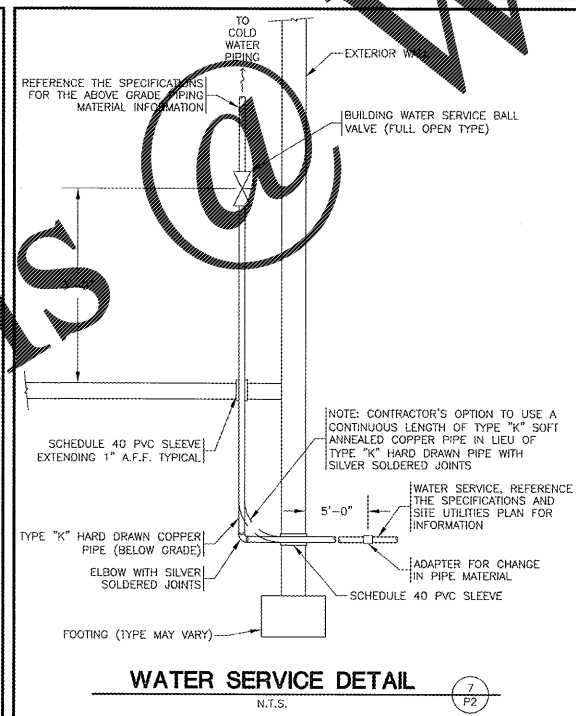
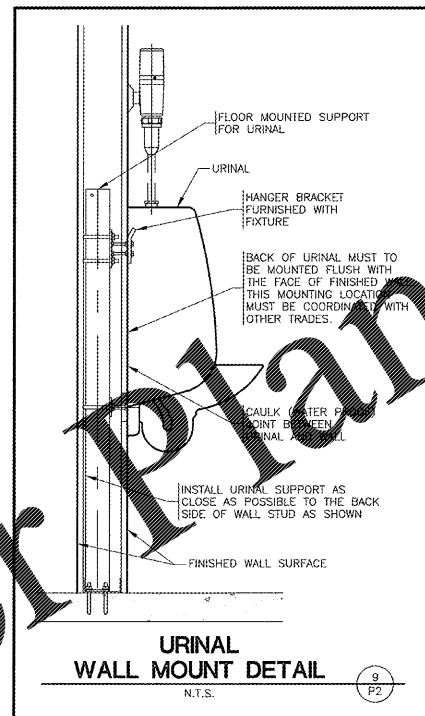
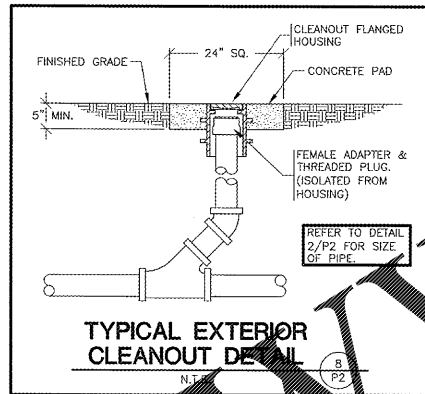


PLUMBING CALCULATIONS

FIXTURE	QUANTITY	TOTAL-SFU	TOTAL	TOTAL-HW	TOTAL	DFU	TOTAL
W.C. (TANK)	2	5	10	0	0	4	8
URN. (URINAL)	1	5	5	0	0	4	4
LAV. (LAVATORY)	2	2	4	1.5	3.00	2	4
M.B. (MOP BASIN)	1	3	3	1.5	1.50	2	2
H.D.F. (FOUNTAIN)	1	0.25	0.25	0	0	0.5	0.50
H.B. (HOSE BIBB)	2	3	6	0	0	0	0
TOTAL		28.25	TOTAL	4.50	TOTAL	16.50	
TOTAL CW GPM	20	AVERAGE DAILY FLOW = 125 gal/DAY					
COLD WATER SERVICE SIZE	1"						



1736 East Sunshine, Suite 417
Springfield, Missouri 65804
417.862.9646

ESTERLY & SCHNIDER ASSOCIATES, INC.
AIA architects & planners APC
e-mail: architect@esterlyandschneider.com

PROJECT: NEW O'REILLY AUTO PARTS STORE
U.S. HWY 231
MURFREESBORO, TN #5
PLUMBING DETAILS

O'Reilly AUTO PARTS
CORPORATE OFFICES
233 SOUTH PATTERSON
SPRINGFIELD, MISSOURI 65802
(417) 862-2874 TELEPHONE

COMM # 4219
DATE: 08-17-18
REVISION
DATE:



Order Plans