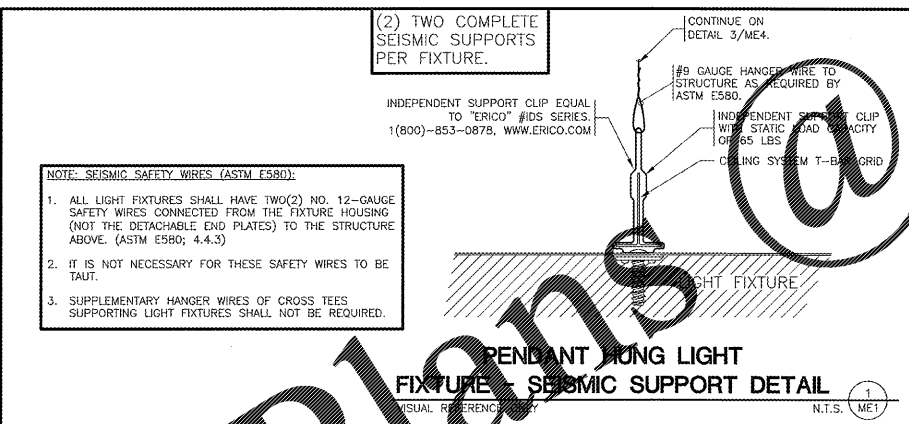
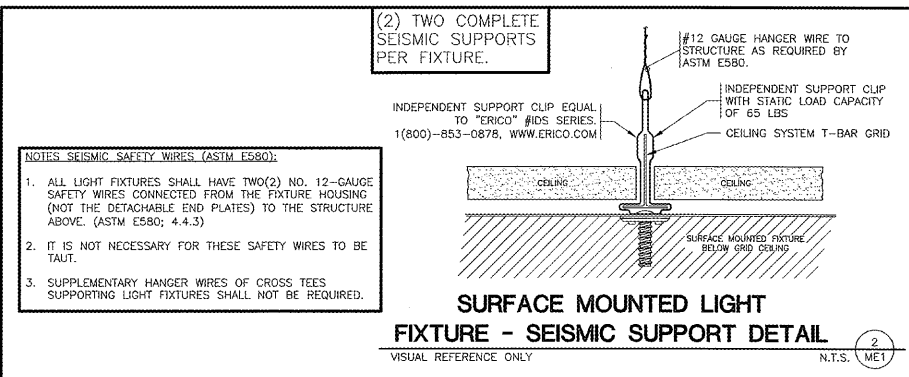
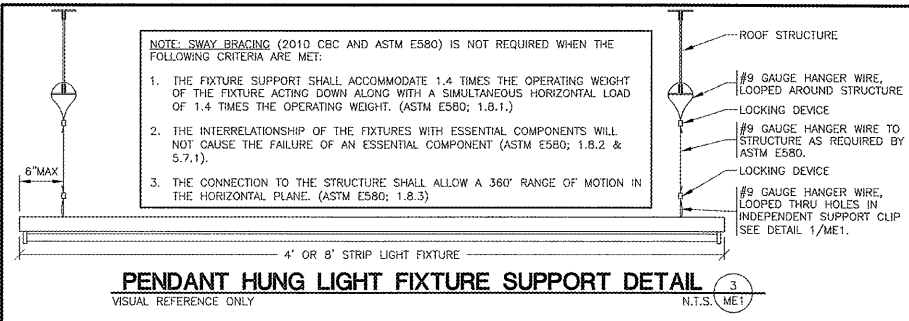


# ELECTRICAL

**CONTRACTOR TO REFER TO ARCHITECTURAL SHEET G1.1 FOR SEISMIC DESIGN CATEGORY. SEISMIC RESTRAINTS (ONLY REQUIRED FOR SEISMIC DESIGN CATEGORIES C,D,E,F)**

CONTRACTOR TO PROVIDE SEISMIC BRACING AS REQUIRED BY CODE. IF SEISMIC BRACING IS REQUIRED SEE BRACING DETAILS THIS SHEET.

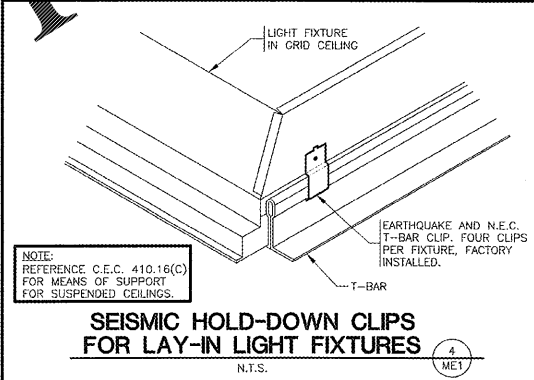


**SEISMIC RESTRAINT ELECTRICAL CONDUITS**

TRANSVERSE BRACING WITH CONCRETE ATTACHMENTS OR STRUCTURAL STEEL ATTACHMENTS AS REQUIRED, SHALL BE USED FOR THE FOLLOWING:

- ALL PIPE 1" INSIDE DIAMETER AND LARGER SUSPENDED MORE THAN 12" BELOW STRUCTURE.
- ALL PIPING IN THE MECHANICAL ROOM 1-1/4" INSIDE DIAMETER AND LARGER SUSPENDED MORE THAN 12" BELOW STRUCTURE.
- ALL OTHER CONDUIT 2-1/2" INSIDE DIAMETER AND LARGER SUSPENDED MORE THAN 12" BELOW STRUCTURE.

SEE DETAILS "TRAPEZE TRANSVERSE AND LONGITUDINAL BRACING FOR PIPE & CONDUIT" AND "SINGLE PIPE & CONDUIT BRACING".



# HVAC

**CONTRACTOR TO REFER TO ARCHITECTURAL SHEET G1.1 FOR SEISMIC DESIGN CATEGORY. SEISMIC RESTRAINTS (ONLY REQUIRED FOR SEISMIC DESIGN CATEGORIES C,D,E,F)**

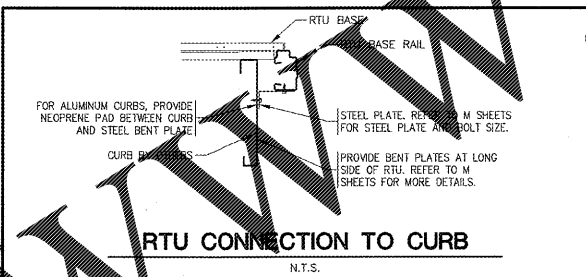
CONTRACTOR TO PROVIDE SEISMIC BRACING AS REQUIRED BY CODE. IF SEISMIC BRACING IS REQUIRED SEE BRACING DETAILS THIS SHEET.

- ALL PIPING WHICH REQUIRES RESTRAINT SHALL BE PROVIDED WITH SEISMIC EXPANSION DEVICES.
- BRANCH OR MAIN PIPE BRACING SHALL BE ATTACHED TO WEB OF ROOF PURLIN WITHIN 1-1/2" OF TOP FLANGE.
- SEE DETAILS "TRAPEZE TRANSVERSE AND LONGITUDINAL BRACING FOR PIPE & CONDUIT" AND "SINGLE PIPE & CONDUIT BRACING".

## SEISMIC RESTRAINT

TRANSVERSE BRACING WITH CONCRETE ATTACHMENTS OR STRUCTURAL STEEL ATTACHMENTS AS REQUIRED, SHALL BE USED FOR THE FOLLOWING:

- ALL PIPE 1" INSIDE DIAMETER AND LARGER SUSPENDED MORE THAN 12" BELOW STRUCTURE.
- ALL PIPING IN THE MECHANICAL ROOM 1-1/4" INSIDE DIAMETER AND LARGER SUSPENDED MORE THAN 12" BELOW STRUCTURE.
- ALL OTHER PIPING 2-1/2" INSIDE DIAMETER AND LARGER SUSPENDED MORE THAN 12" BELOW STRUCTURE.
- ALL RECTANGULAR AIR DUCTS WITH CROSS SECTIONAL AREA OF 6 SQUARE FEET OR LARGER SUSPENDED MORE THAN 12" BELOW STRUCTURE.
- ALL PIPING WHICH REQUIRES RESTRAINT PER THE ABOVE SHALL BE PROVIDED WITH SEISMIC EXPANSION DEVICES.

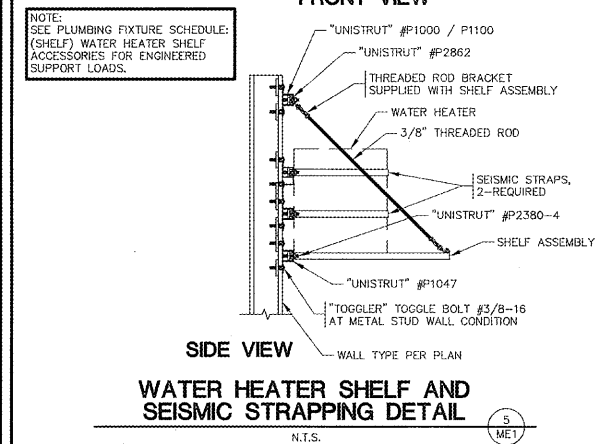
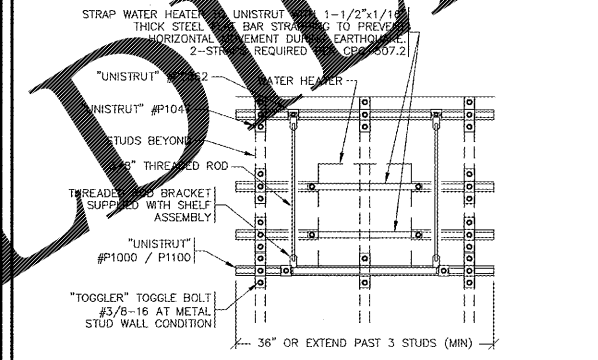


# PLUMBING

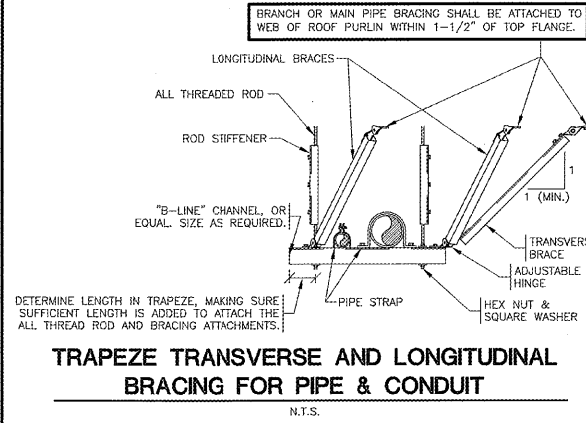
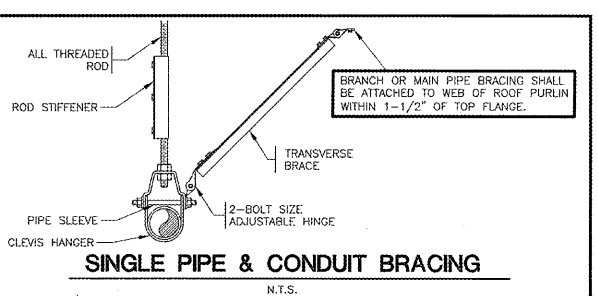
**CONTRACTOR TO REFER TO ARCHITECTURAL SHEET G1.1 FOR SEISMIC DESIGN CATEGORY. SEISMIC RESTRAINTS (ONLY REQUIRED FOR SEISMIC DESIGN CATEGORIES C,D,E,F)**

CONTRACTOR TO PROVIDE SEISMIC BRACING AS REQUIRED BY CODE. IF SEISMIC BRACING IS REQUIRED SEE BRACING DETAILS THIS SHEET.

- ALL PIPING WHICH REQUIRES RESTRAINT SHALL BE PROVIDED WITH SEISMIC EXPANSION DEVICES.
- BRANCH OR MAIN PIPE BRACING SHALL BE ATTACHED TO WEB OF ROOF PURLIN WITHIN 1-1/2" OF TOP FLANGE.
- SEE DETAILS "TRAPEZE TRANSVERSE AND LONGITUDINAL BRACING FOR PIPE & CONDUIT" AND "SINGLE PIPE & CONDUIT BRACING".



## PIPE & CONDUIT BRACING DETAILS



1736 East Sunshine, Suite 417  
Springfield, Missouri 65802  
417.862.0548  
Fax: 417.862.3265  
e-mail: architect@esterlyschneider.com

**ESTERLY SCHNEIDER & ASSOCIATES, INC.**  
AIA architects & planners APC

PROJECT:  
NEW O'REILLY AUTO PARTS STORE  
U.S. HWY 231  
MURFREESBORO, TN #5  
SEISMIC DETAILS

**O'Reilly AUTO PARTS**  
CORPORATE OFFICES  
1000 S. MAIN ST.  
SPRINGFIELD, MISSOURI 65802  
(417) 862-2674 TELEPHONE

COMM # 4219  
DATE: 08-17-18  
REVISION  
DATE:

