

RECEIVED  
AUG 23 2017  
1736 EAST SUNSHINE, SUITE 417  
SPRINGFIELD, MISSOURI 65802

STEEL SQUARE POLES

Use ONLY with "Wind Speed Map for ASCE7-10"

STEEL SQUARE POLES - ASCE7-10	110 MPH	115 MPH	120 MPH	125 MPH	130 MPH	135 MPH	140 MPH	145 MPH	150 MPH	155 MPH	160 MPH	165 MPH	170 MPH	175 MPH	180 MPH	185 MPH	190 MPH	195 MPH	200 MPH	Wind Class
2" HGA 14"	12.5	11.3	10.2	9.5	8.8	8.2	7.6	7.1	6.6	6.1	5.7	5.3	4.9	4.5	4.2	3.9	3.6	3.3	3.0	B
2" HGA 16"	9.8	8.6	7.9	7.3	6.7	6.2	5.7	5.3	4.9	4.5	4.2	3.9	3.6	3.3	3.0	2.8	2.5	2.2	2.0	B
2" HGA 18"	8.1	7.4	6.7	6.2	5.7	5.3	4.9	4.5	4.2	3.9	3.6	3.3	3.0	2.8	2.5	2.2	2.0	1.7	1.5	B
2" HGA 20"	7.1	6.5	5.9	5.4	5.0	4.6	4.3	4.0	3.7	3.4	3.1	2.8	2.6	2.3	2.1	1.9	1.7	1.5	1.3	B
2" HGA 22"	6.1	5.6	5.1	4.7	4.3	4.0	3.7	3.4	3.1	2.8	2.6	2.3	2.1	1.9	1.7	1.5	1.3	1.1	0.9	B
2" HGA 24"	5.1	4.7	4.3	3.9	3.6	3.3	3.0	2.8	2.5	2.2	2.0	1.7	1.5	1.3	1.1	0.9	0.8	0.6	0.5	B
2" HGA 26"	4.1	3.8	3.5	3.2	2.9	2.7	2.4	2.2	2.0	1.7	1.5	1.3	1.1	0.9	0.8	0.6	0.5	0.4	0.3	B
2" HGA 28"	3.1	2.9	2.7	2.5	2.3	2.1	1.9	1.7	1.5	1.3	1.1	0.9	0.8	0.6	0.5	0.4	0.3	0.2	0.2	B
2" HGA 30"	2.1	2.0	1.8	1.7	1.5	1.4	1.2	1.1	0.9	0.8	0.6	0.5	0.4	0.3	0.2	0.2	0.1	0.1	0.1	B
2" HGA 32"	1.1	1.0	0.9	0.8	0.7	0.6	0.5	0.4	0.3	0.2	0.2	0.1	0.1	0.1	0.0	0.0	0.0	0.0	0.0	B
2" HGA 34"	0.1	0.1	0.1	0.1	0.1	0.1	0.1	0.1	0.1	0.1	0.1	0.1	0.1	0.1	0.1	0.1	0.1	0.1	0.1	B
2" HGA 36"	0.1	0.1	0.1	0.1	0.1	0.1	0.1	0.1	0.1	0.1	0.1	0.1	0.1	0.1	0.1	0.1	0.1	0.1	0.1	B
2" HGA 38"	0.1	0.1	0.1	0.1	0.1	0.1	0.1	0.1	0.1	0.1	0.1	0.1	0.1	0.1	0.1	0.1	0.1	0.1	0.1	B
2" HGA 40"	0.1	0.1	0.1	0.1	0.1	0.1	0.1	0.1	0.1	0.1	0.1	0.1	0.1	0.1	0.1	0.1	0.1	0.1	0.1	B
2" HGA 42"	0.1	0.1	0.1	0.1	0.1	0.1	0.1	0.1	0.1	0.1	0.1	0.1	0.1	0.1	0.1	0.1	0.1	0.1	0.1	B
2" HGA 44"	0.1	0.1	0.1	0.1	0.1	0.1	0.1	0.1	0.1	0.1	0.1	0.1	0.1	0.1	0.1	0.1	0.1	0.1	0.1	B
2" HGA 46"	0.1	0.1	0.1	0.1	0.1	0.1	0.1	0.1	0.1	0.1	0.1	0.1	0.1	0.1	0.1	0.1	0.1	0.1	0.1	B
2" HGA 48"	0.1	0.1	0.1	0.1	0.1	0.1	0.1	0.1	0.1	0.1	0.1	0.1	0.1	0.1	0.1	0.1	0.1	0.1	0.1	B
2" HGA 50"	0.1	0.1	0.1	0.1	0.1	0.1	0.1	0.1	0.1	0.1	0.1	0.1	0.1	0.1	0.1	0.1	0.1	0.1	0.1	B
2" HGA 52"	0.1	0.1	0.1	0.1	0.1	0.1	0.1	0.1	0.1	0.1	0.1	0.1	0.1	0.1	0.1	0.1	0.1	0.1	0.1	B
2" HGA 54"	0.1	0.1	0.1	0.1	0.1	0.1	0.1	0.1	0.1	0.1	0.1	0.1	0.1	0.1	0.1	0.1	0.1	0.1	0.1	B
2" HGA 56"	0.1	0.1	0.1	0.1	0.1	0.1	0.1	0.1	0.1	0.1	0.1	0.1	0.1	0.1	0.1	0.1	0.1	0.1	0.1	B
2" HGA 58"	0.1	0.1	0.1	0.1	0.1	0.1	0.1	0.1	0.1	0.1	0.1	0.1	0.1	0.1	0.1	0.1	0.1	0.1	0.1	B
2" HGA 60"	0.1	0.1	0.1	0.1	0.1	0.1	0.1	0.1	0.1	0.1	0.1	0.1	0.1	0.1	0.1	0.1	0.1	0.1	0.1	B

At LSI Industries' poles are guaranteed to meet the EPA requirements listed. LSI Industries is not responsible if a pole order has a lower EPA rating than the bracket/fixture combination used to support other items such as flags, pennants, or signs, which would add stress to the pole. LSI Industries cannot accept responsibility for harm or damage caused in these situations.

STEEL SQUARE POLES

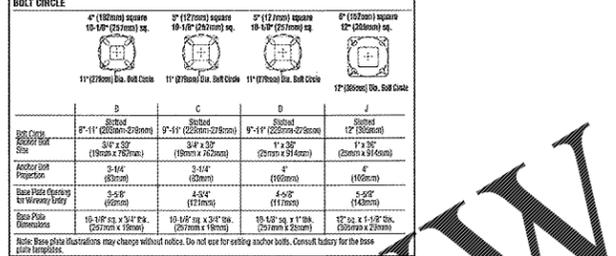
POLE ORDERING INFORMATION

TYPICAL ORDER EXAMPLE: 5SQB5 S07G 24 S P L P SF DGP

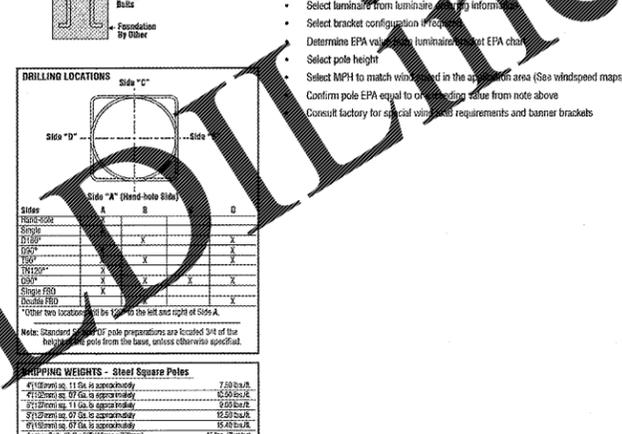
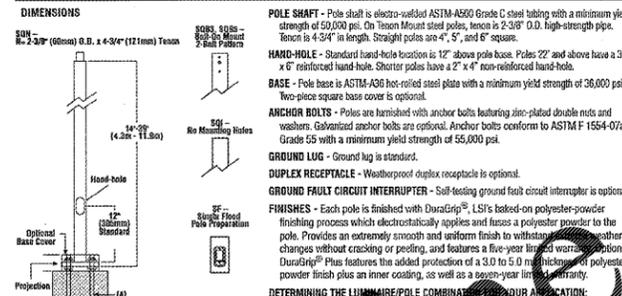
Pole Series	Material	Height	Roosting Configuration	Pole Finish	Options
5SQB5	S110 - 11 Gal. Steel	14'	S - Single/Pole	BK - Bronze	CA - Galvanized Anchor Bolt
S07G	S07G - 07 Gal. Steel	16'	D150 - Double	BL - Black	SF - Square Footing
24		18'	D90 - Double	PL - Polished	DF - Double Flange
S		20'	D60 - Double	WH - White	DGP - Double Grip Plus
PLP		22'	D30 - Triple	SG - Galvanized Green	LAD - Lamin Anchor Bolt
SF		24'	D150 - Triple	SL - Galvanized Silver	OSK - Pole Preparation for PMS Occupancy Sensor
DGP		26'	D90 - Quad	GP - Graphite	
DGP		28'	D60 - Quad	MSV - Metallic Silver	
DGP		30'			
DGP		32'			
DGP		34'			
DGP		36'			

ACCESSORY ORDERING INFORMATION (Accessories are field installed)

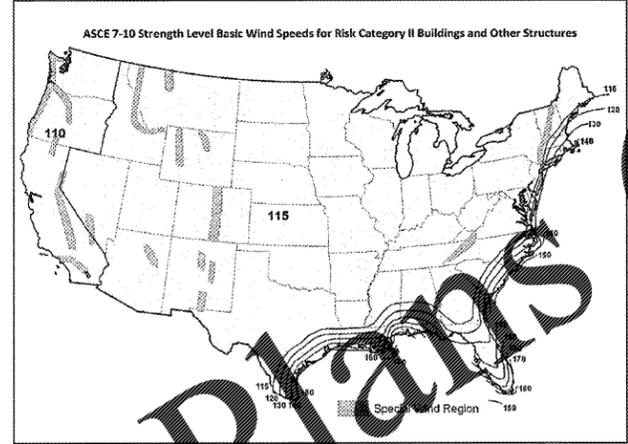
Description	Order Number	Order Number
800 - 6" Square Base Coat	1225401.0	Anchor Bracket - 6" Square Pole (on request only)
800 - 6" Square Base Coat	1225401.0	Anchor Bracket - 8" Square Pole (on request only)
800 - 6" Square Base Coat	1225401.0	Anchor Bracket - 10" Square Pole (on request only)
800 - 6" Square Base Coat	1225401.0	Anchor Bracket - 12" Square Pole (on request only)
800 - 6" Square Base Coat	1225401.0	Anchor Bracket - 14" Square Pole (on request only)
800 - 6" Square Base Coat	1225401.0	Anchor Bracket - 16" Square Pole (on request only)
800 - 6" Square Base Coat	1225401.0	Anchor Bracket - 18" Square Pole (on request only)
800 - 6" Square Base Coat	1225401.0	Anchor Bracket - 20" Square Pole (on request only)
800 - 6" Square Base Coat	1225401.0	Anchor Bracket - 22" Square Pole (on request only)
800 - 6" Square Base Coat	1225401.0	Anchor Bracket - 24" Square Pole (on request only)
800 - 6" Square Base Coat	1225401.0	Anchor Bracket - 26" Square Pole (on request only)
800 - 6" Square Base Coat	1225401.0	Anchor Bracket - 28" Square Pole (on request only)
800 - 6" Square Base Coat	1225401.0	Anchor Bracket - 30" Square Pole (on request only)
800 - 6" Square Base Coat	1225401.0	Anchor Bracket - 32" Square Pole (on request only)
800 - 6" Square Base Coat	1225401.0	Anchor Bracket - 34" Square Pole (on request only)
800 - 6" Square Base Coat	1225401.0	Anchor Bracket - 36" Square Pole (on request only)



STEEL SQUARE POLES



WINDSPEED MAP FOR ASCE7-10

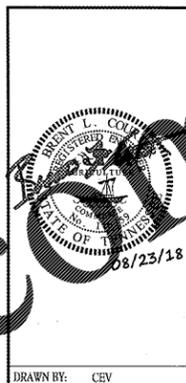
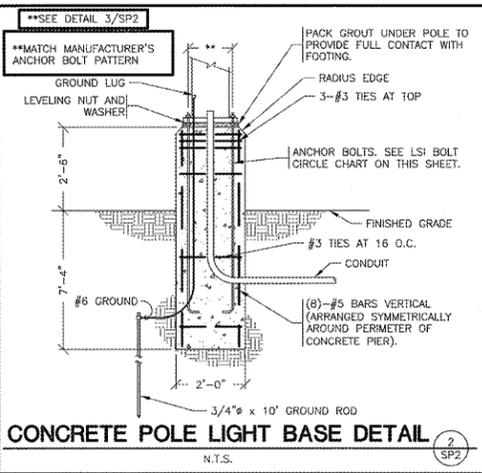
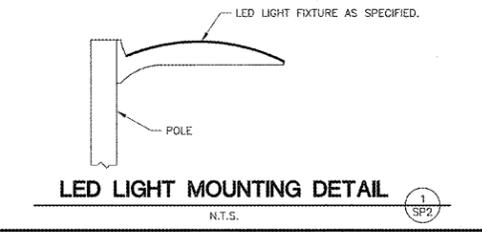
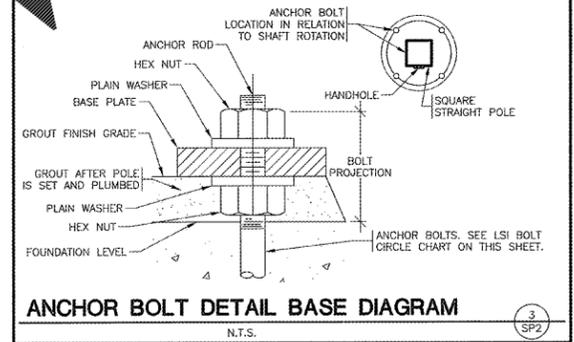


Wind Speed Map and Pole EPA's are based on ANSI/ASCE 7-10. Please inform LSI if your local code requirements differ; LSI can supply calculations to your code requirements.

NOTES:

- Values are the basic wind speeds at 33 ft. (10 m) above ground for exposure Category 2.
- Linear interpolation between wind speed contours is acceptable.
- When using the map to determine EPA readings, always use high end of range.
- Wind speed and pressure values are based on wind pressures and forces specified in ANSI/ASCE 7-10.
- Linear interpolation between wind speeds other than those shown on map.

At LSI Industries' poles are guaranteed to meet the EPA requirements listed. Pole manufacturer is not responsible if a pole order has a lower EPA rating than the bracket/fixture combination used to support other items such as flags, pennants, or signs, which would add stress to the pole. LSI Industries cannot accept responsibility for harm or damage caused in these situations.



1736 East Sunshine, Suite 417  
Springfield, Missouri 65802  
417.862.0488  
Fax: 417.862.2265  
e-mail: architect@esterlyscnieder.com

ESTERLY  
SCHNEIDER  
&  
ASSOCIATES, INC.  
AIA  
architects & planners APC

PROJECT:  
NEW O'REILLY AUTO PARTS STORE  
U.S. HWY 231  
MURFREESBORO, TN #5  
SITE LIGHTING DETAILS

O'Reilly AUTO PARTS  
CORPORATE OFFICES  
233 SOUTH PATTERSON  
SPRINGFIELD, MISSOURI 65802  
(417) 862-2674 TELEPHONE

COMM # 4219  
DATE: 08-17-18  
REVISION  
DATE:



SP2 of 3

Order Plans

Project Name \_\_\_\_\_ Fixture Type \_\_\_\_\_ 46297  
Catalog # \_\_\_\_\_ LSI INDUSTRIES INC. 092017