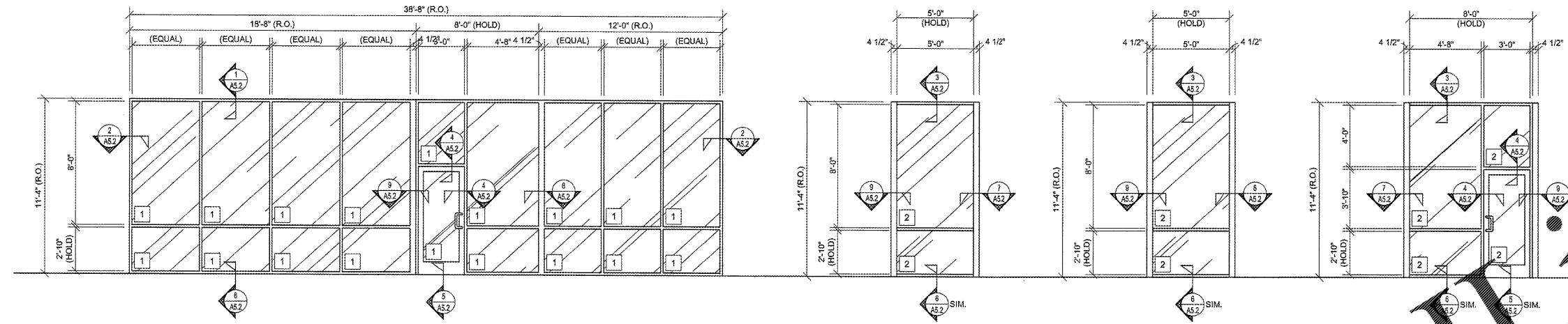


WINDOW TYPES



A ALUMINUM STOREFRONT FRAMING (2" X 4 1/2") SYSTEM, THERMALLY BROKEN, FIXED UNIT.
B1 ALUMINUM STOREFRONT FRAMING (2" X 4 1/2") SYSTEM, THERMALLY BROKEN, FIXED UNIT.
B2 ALUMINUM STOREFRONT FRAMING (2" X 4 1/2") SYSTEM, THERMALLY BROKEN, FIXED UNIT.
C ALUMINUM STOREFRONT FRAMING (2" X 4 1/2") SYSTEM, THERMALLY BROKEN, FIXED UNIT.

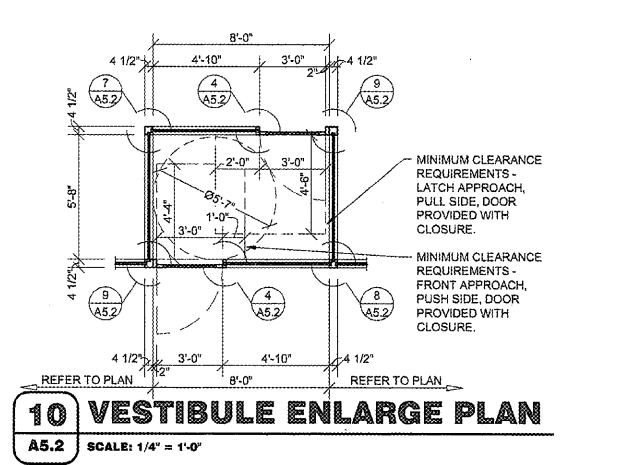
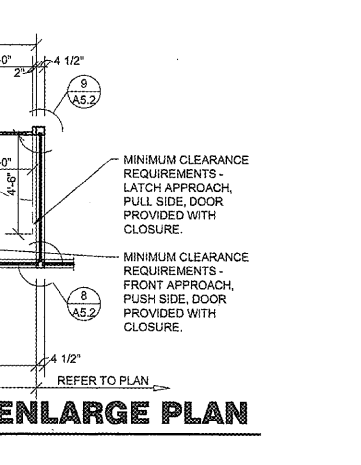
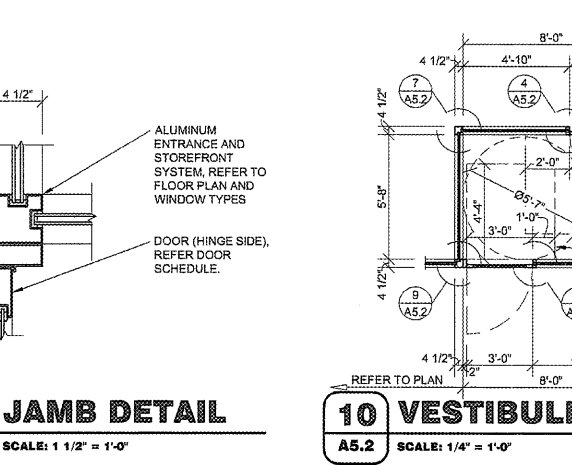
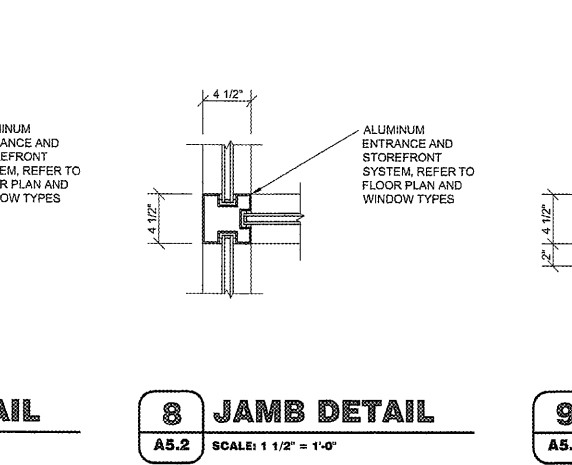
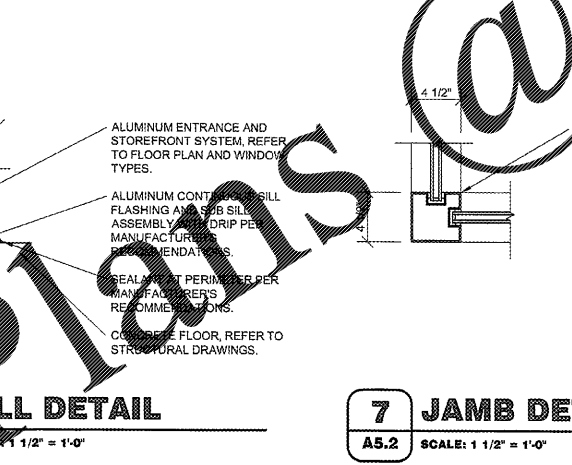
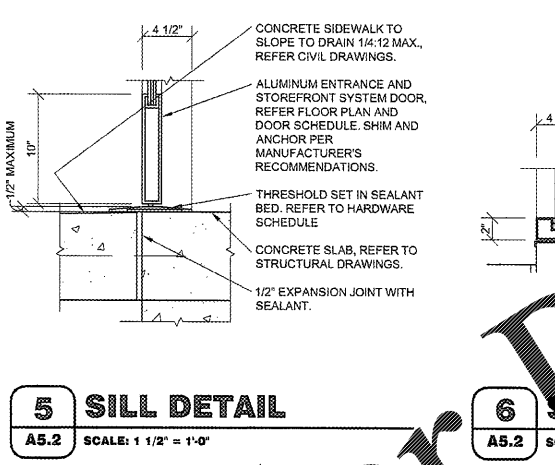
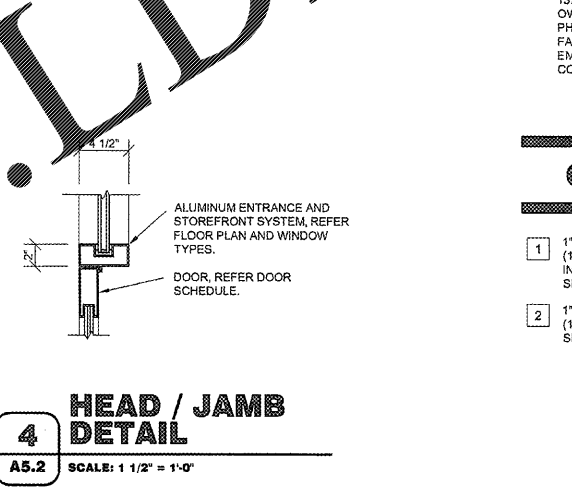
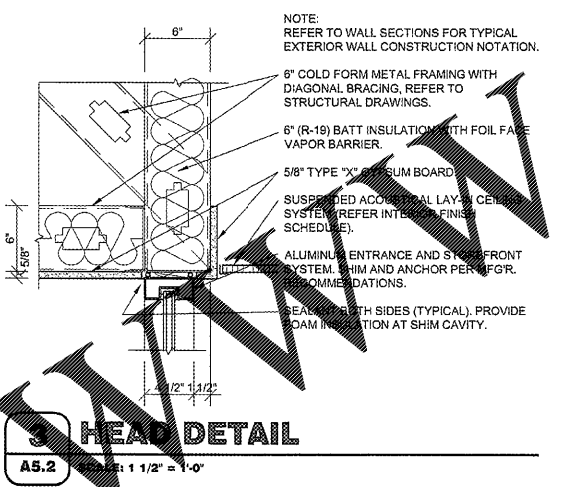
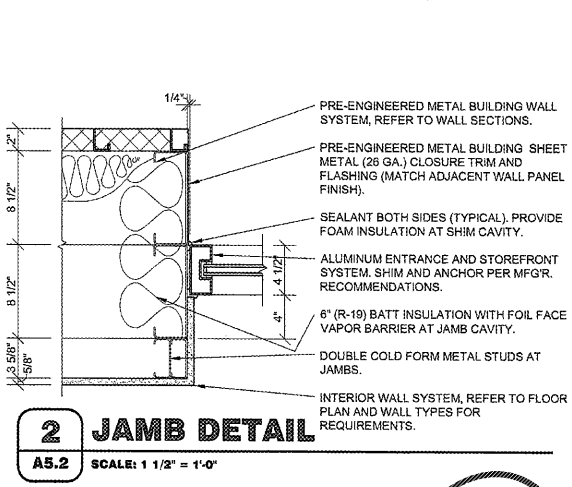
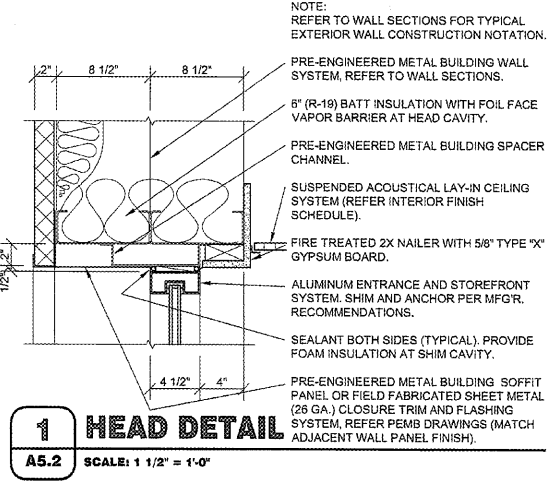
GENERAL NOTES

- A REFER TO PROJECT MANUAL FOR ADDITIONAL REQUIREMENTS.
- B REFER TO BUILDING CODE SUMMARY FOR PROJECT STRUCTURAL DESIGN CRITERIA. WINDOW FRAMING AND ANCHORING SYSTEMS SHALL BE DESIGNED BY MANUFACTURER TO CONFORM TO PERFORMANCE AND TESTING REQUIREMENTS SPECIFIED.
- C REFER TO FLOOR PLAN, ELEVATIONS, AND SECTION FOR ADDITIONAL REQUIREMENTS.
- D WINDOW TYPE ELEVATIONS SHOWN VIEWED FROM EXTERIOR SIDE.
- E REFER TO EXTERIOR FINISH SCHEDULES FOR ALUMINUM WINDOW FRAMING COLORS. PERIMETER SEALANT COLOR TO MATCH WINDOW FRAMING COLOR UNLESS OTHERWISE INDICATED.
- F ALL DIMENSIONS TO ROUGH FACE UNLESS OTHERWISE NOTED. FIELD VERIFY THROUGH OPENINGS PRIOR TO FABRICATION.
- G REFER TO DOOR AND HARDWARE SCHEDULES FOR ADDITIONAL REQUIREMENTS.
- H SECURITY SHEETS MAY BE REQUIRED. CONTACT PROJECT ADMINISTRATOR FOR VERIFICATION. (REFER TO SCOPE OF WORK SCHEDULE). PROVIDE ADDITIONAL SUPPORT FRAMING SYSTEM AS REQUIRED.
- I WHEN WIND SPEED IS EQUAL TO OR GREATER THAN 120 MPH, A STORM PANEL SYSTEM SHALL BE OWNER FURNISHED AND INSTALLED. CONTACT PROJECT ADMINISTRATOR TO VERIFY AND COORDINATE WITH SYSTEM PROVIDED BY OTHERS. (REFER TO SCOPE OF WORK SCHEDULE). PROVIDE ADDITIONAL SUPPORT FRAMING SYSTEM AS REQUIRED.
- J CONTRACTOR'S OPTION TO DIRECT ORDER AND PURCHASE WINDOW FRAMING SYSTEM AND GLAZING FROM THE FOLLOWING SUPPLIER (REFER TO SCOPE OF WORK SCHEDULE):

COULTER & COMPANY
 13711 E. 66TH ST. N.
 OWASSO, OK 74055
 PHONE: (918) 272-4494
 FAX: (918) 272-7908
 EMAIL: carl@coulterglass.com
 CONTACT: Carl Yorlan

GLAZING SCHEDULE

- 1 1" INSULATED SAFETY GLAZING (1/4" VITRO-SOLAR-COOL (2) AZURIA" EXTERIOR PANE / 1/4" CLEAR INTERIOR PANE) SHADING COEFFICIENT 0.29
- 2 1" INSULATED SAFETY GLAZING (1/4" CLEAR EXTERIOR PANE / 1/4" CLEAR INTERIOR PANE) SHADING COEFFICIENT 0.81



Order Plans @



1736 East Sunshine, Suite 404
 Springfield, Missouri 65804
 417.862.9558
 Fax: 417.862.3265
 e-mail: architect@esterlyschneider.com

ESTERLY SCHNEIDER & ASSOCIATES, INC.
 architects & planners
AIA

PROJECT:
NEW O'REILLY AUTO PARTS STORE
 U.S. HWY 231
 MURFREESBORO, TN #5
WINDOW SCHEDULE

O'Reilly AUTO PARTS
 CORPORATE OFFICES
 233 SOUTH PATTERSON
 SPRINGFIELD, MISSOURI 65802
 (417) 862-2674 TELEPHONE

COMM # 4219
 DATE: 8-17-18
 REVISION
 DATE: