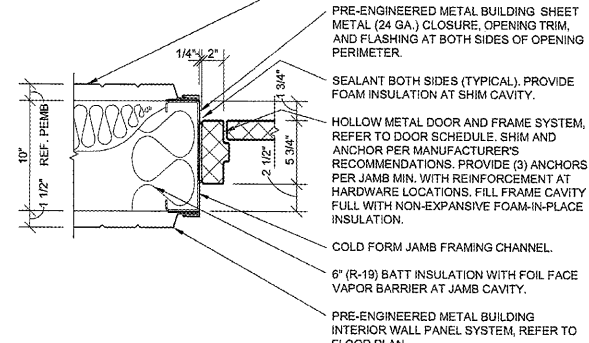
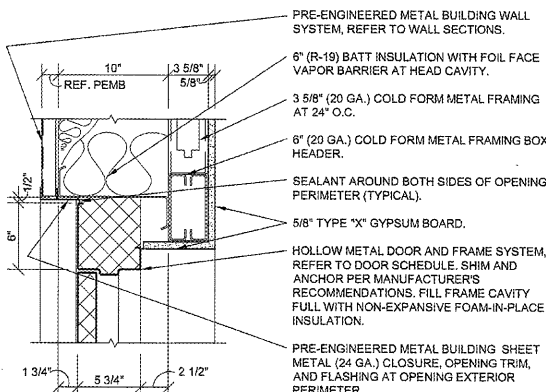


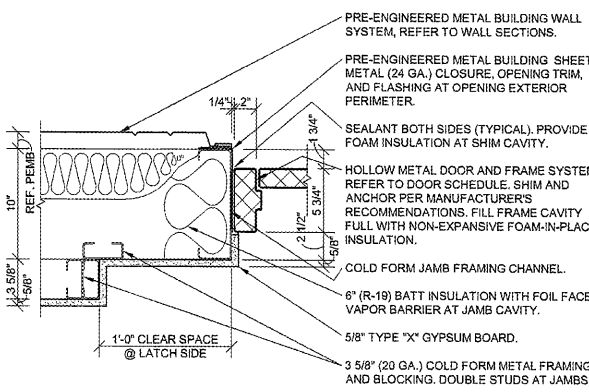
**1 HEAD DETAIL**  
A5.1 SCALE: 1/2" = 1'-0"



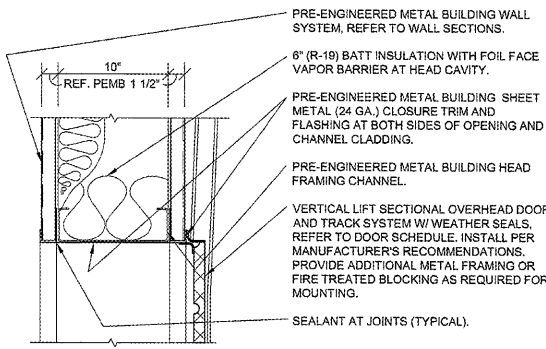
**2 JAMB DETAIL**  
A5.1 SCALE: 1/2" = 1'-0"



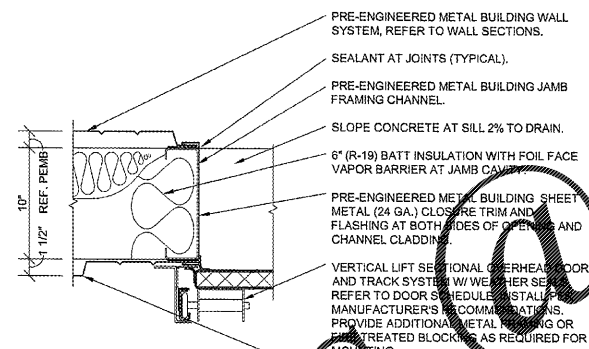
**3 HEAD DETAIL**  
A5.1 SCALE: 1/2" = 1'-0"



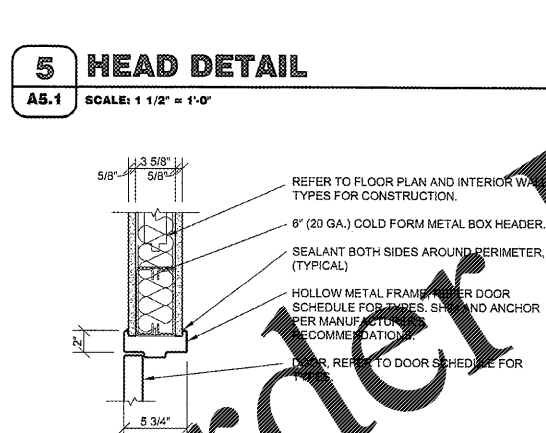
**4 JAMB DETAIL**  
A5.1 SCALE: 1/2" = 1'-0"



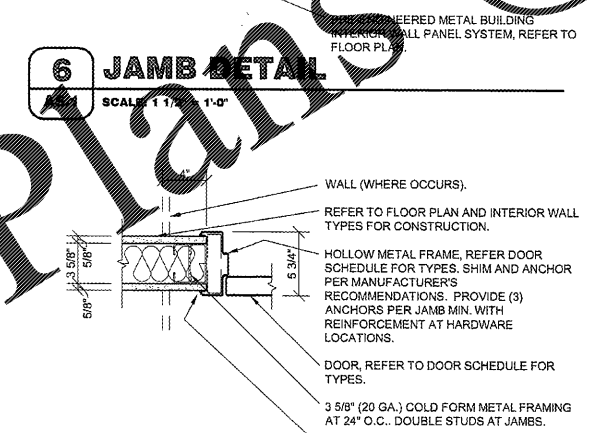
**5 HEAD DETAIL**  
A5.1 SCALE: 1/2" = 1'-0"



**6 JAMB DETAIL**  
A5.1 SCALE: 1/2" = 1'-0"



**7 HEAD DETAIL**  
A5.1 SCALE: 1/2" = 1'-0"



**8 JAMB DETAIL**  
A5.1 SCALE: 1/2" = 1'-0"

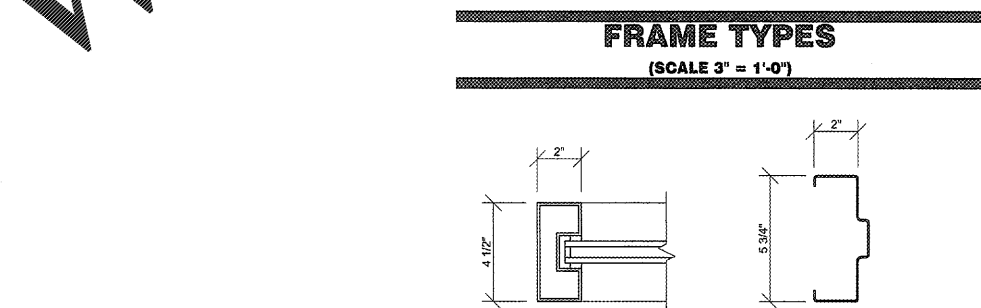
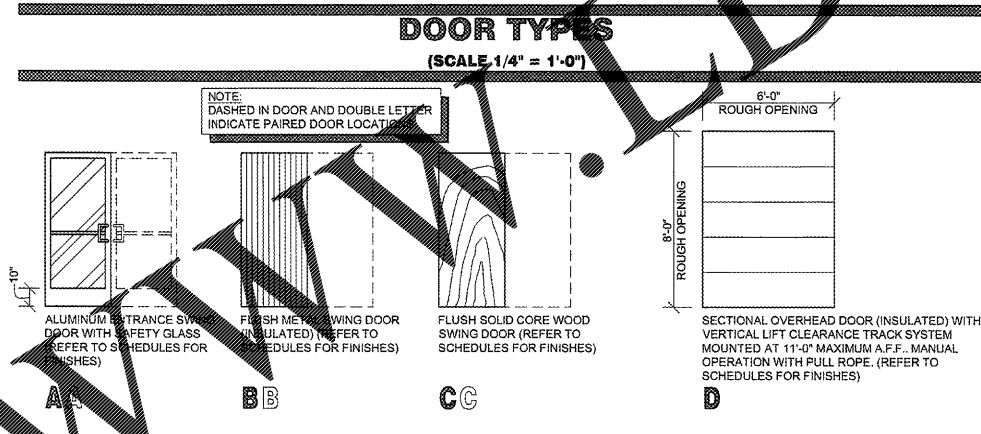
### DOOR SCHEDULE

| MK | DOOR                   |      |                     | DOOR HARDWARE   |           | FRAME |       |      | DETAILS                  |            |        | REMARKS (REFER NOTES) |         |
|----|------------------------|------|---------------------|-----------------|-----------|-------|-------|------|--------------------------|------------|--------|-----------------------|---------|
|    | SIZE (W x H x D)       | TYPE | SWING               | MATERIAL        | GLAZ TYPE | SET # | KEYED | TYPE | MATERIAL                 | HEAD WIDTH | HEAD   |                       | JAMB    |
| 1  | 3'-0" X 7'-0" X 1-3/4" | A    | REFER TO FLOOR PLAN | ALUMINUM        | 1         | 1     | A     | 1    | ALUMINUM                 | 4/A5.2     | 4/A5.2 | 5/A5.2                | 1, 2    |
| 2  | 3'-0" X 7'-0" X 1-3/4" | B    | REFER TO FLOOR PLAN | INSULATED METAL |           | 2     | A     | 2    | INSULATED METAL          | 1/A5.1     | 2/A5.1 | 5/A5.2 SIM.           | 1, 2, 3 |
| 3  | 6'-0" X 8'-0"          | D    | SECTIONAL OVERHEAD  | INSULATED METAL |           | 3     |       |      | MANUFACTURER'S STANDARDS | 5/A5.1     | 6/A5.1 |                       | 1       |
| 4  | 3'-0" X 7'-0" X 1-3/4" | C    | REFER TO FLOOR PLAN | SOLID WOOD      |           | 4     |       | 2    | HOLLOW METAL             | 7/A5.1     | 8/A5.1 |                       | 1, 4    |
| 5  | 3'-0" X 7'-0" X 1-3/4" | C    | REFER TO FLOOR PLAN | SOLID WOOD      |           | 5     |       | 2    | HOLLOW METAL             | 7/A5.1     | 8/A5.1 |                       | 1, 4    |
| 6  | 3'-0" X 7'-0" X 1-3/4" | C    | REFER TO FLOOR PLAN | SOLID WOOD      |           | 5     |       | 2    | HOLLOW METAL             | 7/A5.1     | 8/A5.1 |                       | 1, 4    |
| 7  | 3'-0" X 7'-0" X 1-3/4" | B    | REFER TO FLOOR PLAN | INSULATED METAL |           | 6     |       | 2    | INSULATED METAL          | 3/A5.1     | 4/A5.1 | 5/A5.2 SIM.           | 1, 3    |
| 8  | 3'-0" X 7'-0" X 1-3/4" | A    | REFER TO FLOOR PLAN | ALUMINUM        | 2         | 7     |       | 1    | ALUMINUM                 | 4/A5.2     | 4/A5.2 | 5/A5.2 SIM.           | 1       |

NOTES:  
 1. ALL DOORS SHALL BE SHOP PREPARED FOR HARDWARE.  
 2. ALL EXTERIOR DOORS TO BE KEYPED ALIKE. CONTRACTOR TO FIELD VERIFY AND MATCH CORE OF DOOR MARKED "2".  
 3. EXTERIOR DOOR, FRAME AND HARDWARE OWNER FURNISHED AND CONTRACTOR INSTALLED. REFER TO SCOPE OF WORK SCHEDULE.  
 4. CONTRACTOR'S OPTION TO PURCHASE INTERIOR DOORS, FRAMES, AND HARDWARE THROUGH PREFERRED VENDOR. REFER TO SCOPE OF WORK SCHEDULE.

LOCKNET  
 100 COURCELLE DRIVE  
 NICHOLASVILLE, KY 40356  
 CONTACT: PAM PEEL  
 PHONE 860-987-4307 EXT 133  
 FAX 859-881-5499  
 EMAIL: construction@locknet.com

SPECIAL NOTE:  
 UNLESS OTHERWISE INDICATED, KNOCK DOWN (KD) TYPE DOOR FRAMES ARE NOT PERMITTED.



### DOOR HARDWARE SCHEDULE

HARDWARE NOTES:  
 1. ALL HARDWARE TO BE ADA AND ANSI COMPLIANT.  
 2. VERIFY COMPATIBILITY OF HARDWARE SPECIFIED. NOTIFY ARCHITECT OF INCOMPATIBILITY ISSUES PRIOR TO ORDERING AND INSTALLATION.

SET NO. 1 (DR. 1)  
 1 CYLINDER: 20-062 X 626 - "E" KEYWAY (REMOVABLE CORE)..... SCHLAGE  
 1 PAIR OFFSET PIVOTS: 195/188 X 626..... RIXON  
 1 DEADLOCK: MS18605 X 628..... ADAMS RITE  
 1 DEADLOCK LEVER: 4550 X 628..... ADAMS RITE  
 1 STRIKE: MS4002 X 628..... ADAMS RITE  
 1 SET PUSH/PULLS: 86-151 ULTRALINE W/OFFSET PULL X 626..... EFCO  
 1 CLOSER: 4041-3077-18TJ-TB X 689 (ADJ. TO 5 LBS.)..... LCN  
 1 SET PERIMETER GASKETS: POLYMERIC BULB X LENGTH REQUIRED..... PEMKO  
 1 SWEEP: 345AP X LENGTH REQUIRED..... PEMKO  
 1 THRESHOLD: 270A X LENGTH REQUIRED (OFFSET PIVOT)..... PEMKO (ANSI & ADA COMPLIANT).

SET NO. 2 (DR. 2)  
 1 CONTINUOUS HINGE: 780-1110 X LENGTH REQUIRED X 628..... HAGER  
 1 CYLINDER: 20-062 X 626 - "E" KEYWAY (REMOVABLE CORE)..... SCHLAGE  
 1 PROVIDE SECURITY KEYS, 1 BOTTLE..... SCHLAGE  
 1 EXIT PULL: 800-500-466 X 626 (R103 X 630)..... RIXON  
 1 DOOR VIBRATOR: 888 - 190 X 626..... HAGER  
 1 LATCH GUARD: LG100Z/SF X 626 (STRAIGHT W/PIN W/SEX BOLTS)..... LATCHGUARD  
 1 SET PERIMETER GASKETS: QEBD-500 X LENGTH REQUIRED..... SCHLEGEL  
 1 LATCH GUARD: LG100Z/SF X 626 (STRAIGHT W/PIN W/SEX BOLTS)..... LATCHGUARD  
 1 DOOR VIBRATOR: 888 - 190 X 626..... HAGER  
 1 KICK PLATE: 190S X 8" X 34" X 630..... HAGER  
 1 DOOR BOTTOM SEAL: 31321 X LENGTH REQUIRED..... GLOBAL  
 1 THRESHOLD: 31206 X LENGTH REQUIRED..... GLOBAL

SET NO. 3 (DR. 3)  
 REQUIRED HARDWARE FURNISHED WITH OVERHEAD DOOR SYSTEM (LOCKING FROM INSIDE ONLY)

SET NO. 4 (DR. 4)  
 3 HINGES: 8B1279 X 4 1/2" X 4 1/2" X 626..... HAGER  
 1 OFFICE LOCK: AU5307LN X 626..... YALE  
 1 WALL BUMPER: 409 X 626..... ROCKWOOD

SET NO. 5 (DR. 5, 6)  
 3 HINGES: 8B1279 X 4 1/2" X 4 1/2" X 626..... HAGER  
 1 PRIVACY LOCK: AU5302LN X 626..... YALE  
 1 WALL BUMPER: 409 X 626..... ROCKWOOD

SET NO. 6 (DR. 7)  
 3 HINGES: ECBB1100 X 4 1/2" X 4 1/2" X 626 X NRP..... HAGER  
 1 EXIT ONLY PANIC LOCK: 8300B X 488 X 689..... DORMA  
 1 CLOSER: 5300MLT X 689 (ADJ. TO 5 LBS.)..... HAGER (THROUGH SEX BOLT MOUNTING)  
 1 SET PERIMETER GASKETS: QEBD-500 X LENGTH REQUIRED..... SCHLEGEL  
 1 LATCH GUARD: LG100Z/SF X 626 (STRAIGHT W/PIN W/SEX BOLTS)..... LATCHGUARD  
 1 DOOR BOTTOM SEAL: 31321 X LENGTH REQUIRED..... GLOBAL  
 1 THRESHOLD: 31206 X LENGTH REQUIRED..... GLOBAL

SET NO. 7 (DR. 8)  
 (FOLLOWING REQUIRED HARDWARE FURNISHED WITH WINDOW FRAMING DOOR SYSTEM)  
 1 PAIR OFFSET PIVOTS: 195/188 X US26D..... RIXON  
 1 SET PUSH/PULLS: 86-151 ULTRALINE W/OFFSET PULL X US26D..... EFCO  
 1 CLOSER: 4041-3077-18TJ-TB X AL (ADJ. TO 5 LBS.)..... LCN  
 1 SET PERIMETER GASKETS: POLYMERIC BULB X LENGTH REQUIRED..... PEMKO

### GENERAL NOTES

(A) REFER TO PROJECT MANUAL FOR ADDITIONAL REQUIREMENTS.  
 (B) REFER TO BUILDING CODE SUMMARY FOR PROJECT STRUCTURAL DESIGN CRITERIA. DOOR FRAMING AND ANCHORING SYSTEMS SHALL BE DESIGNED BY MANUFACTURER TO CONFORM TO PERFORMANCE AND TESTING REQUIREMENTS SPECIFIED.  
 (C) REFER TO FLOOR PLAN, ELEVATIONS, AND SECTIONS FOR ADDITIONAL REQUIREMENTS.  
 (D) REFER TO EXTERIOR AND INTERIOR FINISH SCHEDULES FOR COLORS. PERIMETER SEALANT COLOR TO MATCH FRAME COLOR UNLESS OTHERWISE INDICATED.

**ESTERLY SCHNEIDER ASSOCIATES, INC.**  
 architects & planners

**O'Reilly AUTO PARTS**  
 CORPORATE OFFICES  
 233 SOUTH PATTERSON  
 MEMPHIS, TN 38102  
 (417) 862-2674 TELEPHONE

PROJECT:  
**NEW O'REILLY AUTO PARTS STORE**  
 U.S. HWY 231  
 MURFREESBORO, TN #5  
**DOOR SCHEDULE**

1736 East Sunshine Suite 400  
 Springfield, Missouri 65804  
 417.862.2658  
 Fax: 417.862.3263  
 e-mail: architect@esterlyschneider.com

COMM # 4219  
 DATE: 8-17-18  
 REVISION  
 DATE:

Order Plans