

GENERAL NOTES

- A REFER TO PROJECT MANUAL FOR ADDITIONAL REQUIREMENTS.
- B LAYOUT DIMENSIONS OF PLUMBING FIXTURES AND ACCESSORIES ARE TO FACE OF GYPSUM BOARD OR CENTER LINE OF FIXTURE. LAYOUT DIMENSIONS OF WALLS AND CEILINGS ARE TO ROUGH FACE OF FRAMING, MASONRY, OR CENTER LINE OF STRUCTURE. ALL GYPSUM BOARD IS 5/8" THICK, UNLESS OTHERWISE INDICATED. DIMENSIONS NOT SHOWN FOR CLARITY.
- C REFER TO PLUMBING DRAWINGS FOR FIXTURE TYPES AND ADDITIONAL REQUIREMENTS. PROVIDE ADDITIONAL COLD FORM METAL FRAMING OR FIRE TREATED BLOCKING AS REQUIRED FOR PROPER SUPPORT.
- D REFER TO INTERIOR FINISH SCHEDULES FOR MATERIAL FINISH TYPES AND LOCATIONS.
- E ALL EXPOSED PIPING BELOW SINKS TO BE COVERED WITH INSULATION.

KEY NOTES

- 6 EYE WASH STATION. INSTALL WITH TOP AT 48" ABOVE FINISH FLOOR.
- 7 BASE, REFER TO FINISH SCHEDULE.
- 8 SANITARY WALL PANEL SYSTEM. REFER TO FINISH SCHEDULE. PROVIDE TRIM AND EDGE MOLDING AROUND PERIMETER. ATTACH TO SUBSTRATE AS REQUIRED.
- 9 PAINT, REFER TO FINISH SCHEDULE.
- 10 DOOR, REFER TO FINISH SCHEDULE.
- 11 WOOD TRIM, PAINT.
- 12 WALL CONSTRUCTION. REFER TO FLOOR PLAN FOR TYPES.
- 13 FIRE TREATED 2X WOOD BLOCKING.
- 14 WALL OPENING BEYOND, REFER TO FLOOR PLAN. OWNER FURNISHED AND INSTALLED FURNISHING, INCLUDING, OR FURNITURE. FOR REFERENCE ONLY (N.I.C.)
- 15 OWNER FURNISHED AND INSTALLED ACCESSIBLE CUSTOMER SERVICE COUNTER TO COMPLY WITH ACCESSIBILITY REQUIREMENTS. FOR REFERENCE ONLY (N.I.C.)
- 17 WALL MOUNTED WATER HEATER AND SUPPORT PLATFORM. REFER TO PLUMBING DRAWINGS. PROVIDE FIRE TREATED BLOCKING OR ADDITIONAL COLD FORM FRAMING AS REQUIRED FOR INSTALLATION.

KEY NOTES

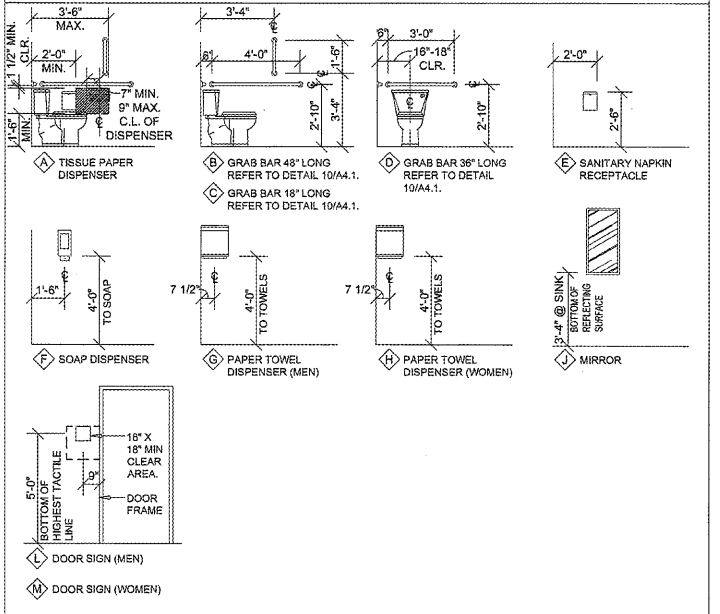
- 1 WATER CLOSURE. ACCESSIBLE FIXTURES MUST TO TOP OF SEAT TO 17" MINIMUM AND 19" MAXIMUM A.F.F. ACCESSIBLE TOILET FLUSH CONTROLS TO BE ON THE SIDE OF SEAT.
- 2 WALL MOUNTING LAVATORY.
- 3 WALL MOUNTING URINAL. MOUNT RIM 1'-5" MAXIMUM ABOVE FINISH FLOOR.
- 4 HIGH AND LOW DRINKING FOUNTAIN. REFER TO DETAIL 16/A4.1.
- 5 FLOOR MOUNTED MOP BASIN.

ACCESSORY SCHEDULE

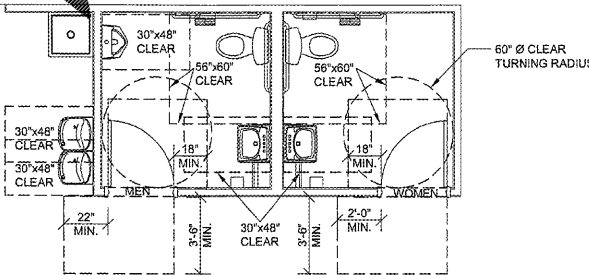
MK	DESCRIPTION	MANUFACTURER	SERIES / MODEL	MOUNTING LOCATION	ACCESSORY NOTES
⊠	TISSUE PAPER DISPENSER	GEORGIA PACIFIC	56783A	REFER TO PLANS, ELEVATIONS, LEGEND	NOTE 2
⊡	GRAB BAR	BOBRICK	B6806 x 48"	REFER TO PLANS, ELEVATIONS, LEGEND	
⊢	GRAB BAR	BOBRICK	B6806 x 18"	REFER TO PLANS, ELEVATIONS, LEGEND	
⊣	GRAB BAR	BOBRICK	B6806 x 36"	REFER TO PLANS, ELEVATIONS, LEGEND	
⊤	SANITARY NAPKIN RECEPTACLE	BOBRICK	B-270	REFER TO PLANS, ELEVATIONS, LEGEND	WOMEN'S RESTROOM ONLY
⊥	SOAP DISPENSER	GOJO	PRO 2000	REFER TO PLANS, ELEVATIONS, LEGEND	NOTE 2
⊦	PAPER TOWEL DISPENSER (MEN)	GEORGIA PACIFIC	59460A	REFER TO PLANS, ELEVATIONS, LEGEND	NOTE 2
⊧	PAPER TOWEL DISPENSER (WOMEN)	GEORGIA PACIFIC	59460A	REFER TO PLANS, ELEVATIONS, LEGEND	NOTE 2
⊨	MIRROR	BOBRICK	B-165-1836 18" W X 36" H	REFER TO PLANS, ELEVATIONS, LEGEND	
⊩	MOP HANGER	REFER TO PLUMBING DRAWINGS	REFER TO PLUMBING DRAWINGS	48" A.F.F. TO CENTER	
⊪	DOOR SIGN (MEN)	ROCKWOOD	BF687	REFER TO PLANS, ELEVATIONS, LEGEND	WHITE TEXT ON BLACK BACKGROUND
⊫	DOOR SIGN (WOMEN)	ROCKWOOD	BF688	REFER TO PLANS, ELEVATIONS, LEGEND	WHITE TEXT ON BLACK BACKGROUND

ACCESSORY GENERAL NOTES:
 1. CONTRACTOR TO PROVIDE FIRE TREATED WOOD BLOCKING FOR INSTALLATION OF TOILET ACCESSORIES, INCLUDING OWNER FURNISHED AND CONTRACTOR INSTALLED ACCESSORIES. COORDINATE REQUIREMENTS WITH OWNER.
 2. ACCESSORY OWNER FURNISHED AND CONTRACTOR INSTALLED. REFER TO SCOPE OF WORK SCHEDULE FOR ADDITIONAL REQUIREMENTS.

ACCESSORY MOUNTING LEGEND



NOTE: ALL DIMENSIONS SHOWN ON THIS PLAN ARE CLEAR DIMENSIONS FROM THE FACE OF THE FINISH.



15 FLOOR SPACE CLEARANCES DIAGRAM

SPECIAL NOTE: DRINKING FOUNTAIN UNIT TO BE PROVIDED WITH CANE GUARD, REFER TO PLUMBING DRAWINGS. REFER TO ELEVATIONS FOR REQUIRED LEVEL CONFIGURATIONS.



1 DRINKING FOUNTAIN CLEARANCES

1736 East Sunshine, Suite 100
 Springfield, Missouri 65804
 417.862.9558
 Fax: 417.862.9265
 e-mail: architect@esterjschneider.com

ESTER JSCHNEIDER ASSOCIATES, INC.
 architects & planners
 AIA

PROJECT: NEW O'REILLY AUTO PARTS STORE
 U.S. HWY 231
 MURFREESBORO, TN #5
INTERIOR ELEVATIONS

O'Reilly AUTO PARTS
 CORPORATE OFFICES
 233 SOUTH PATTERSON
 SPRINGFIELD, MISSOURI 65802
 (417) 862-2674 TELEPHONE

COMM #	4319
DATE:	8-17-18
REVISION	
DATE:	