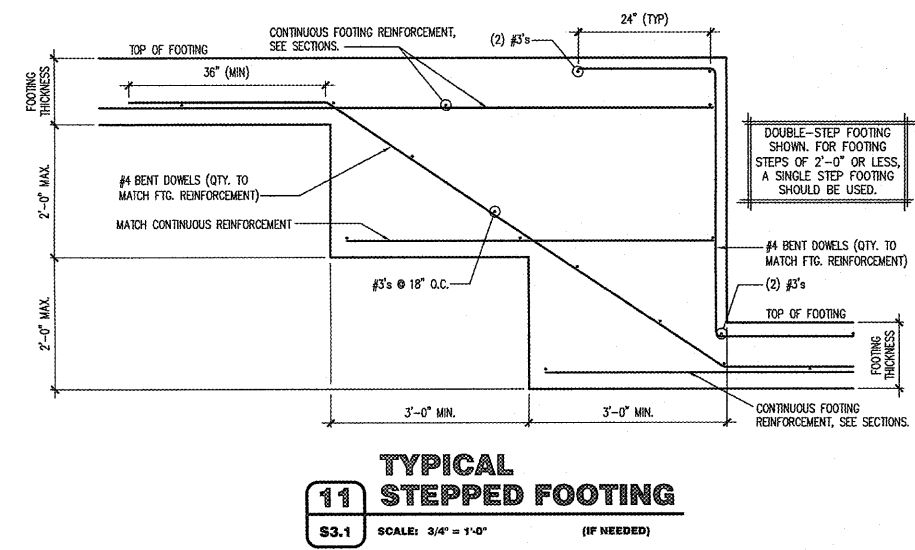
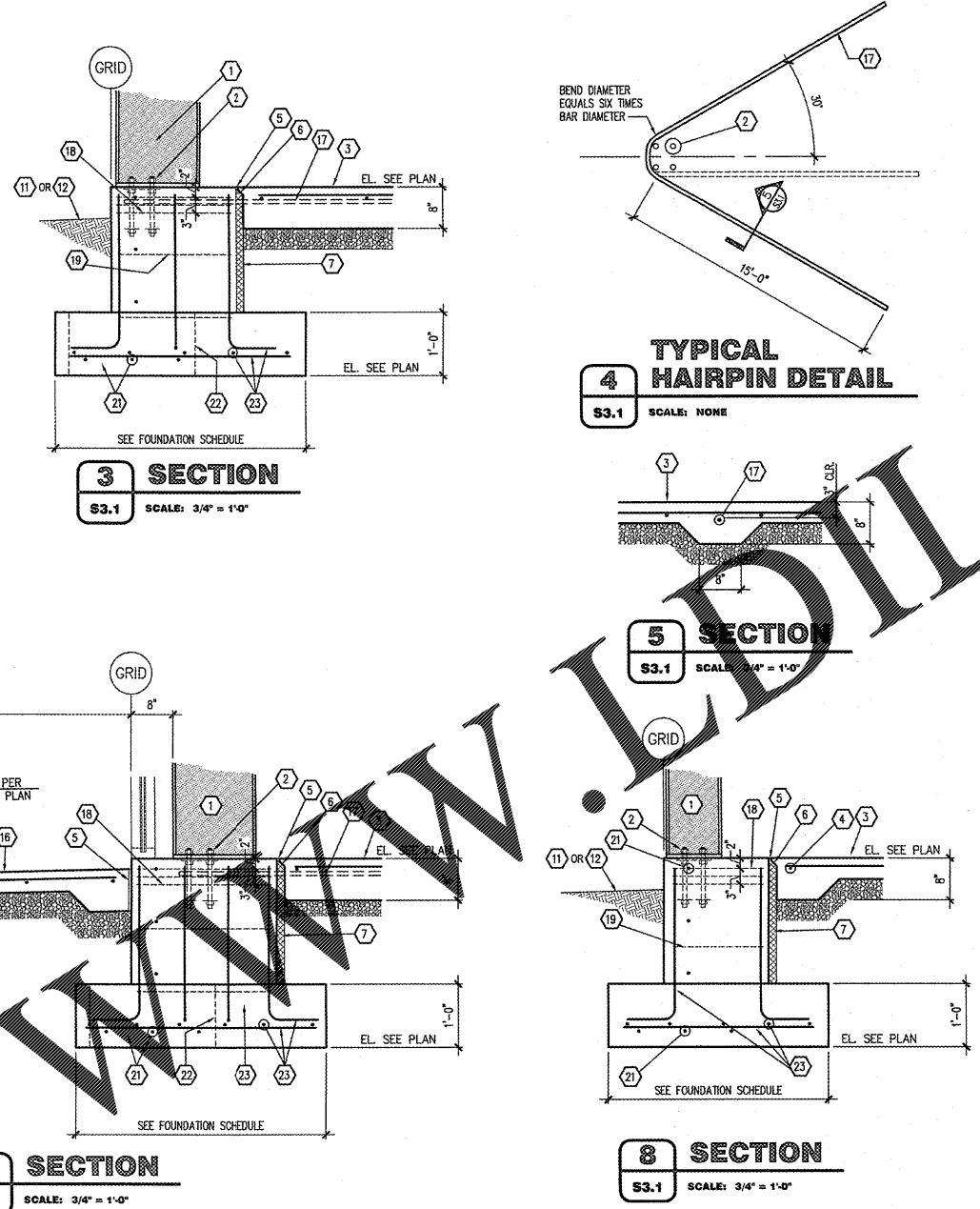
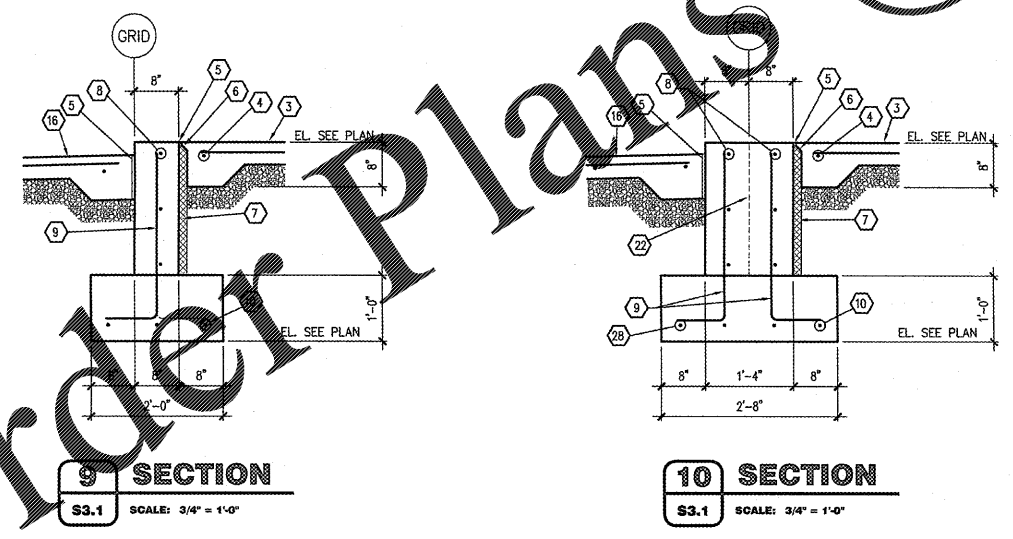
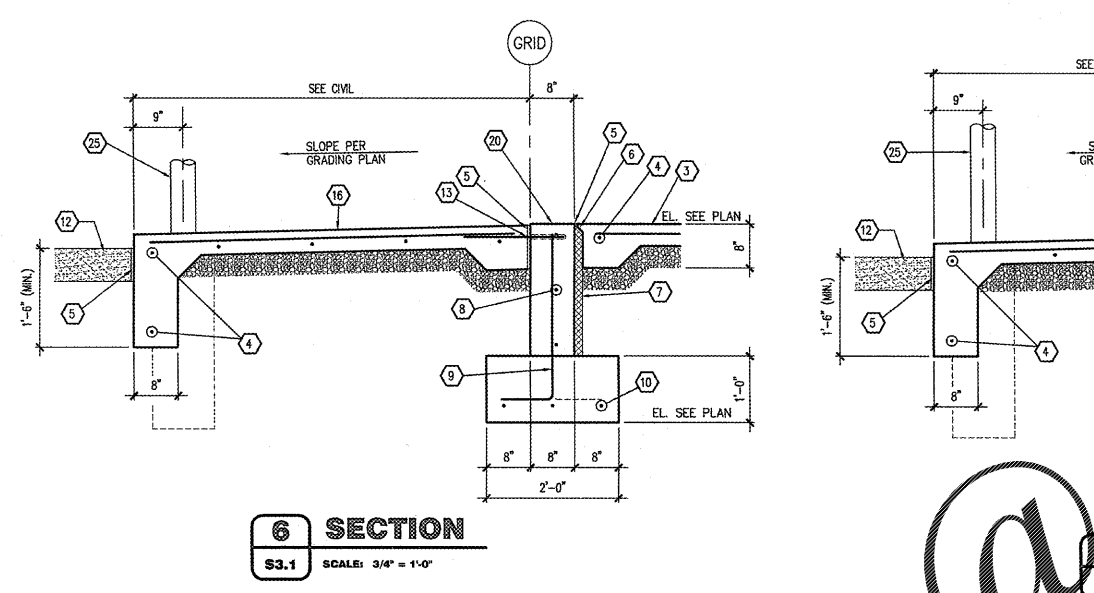
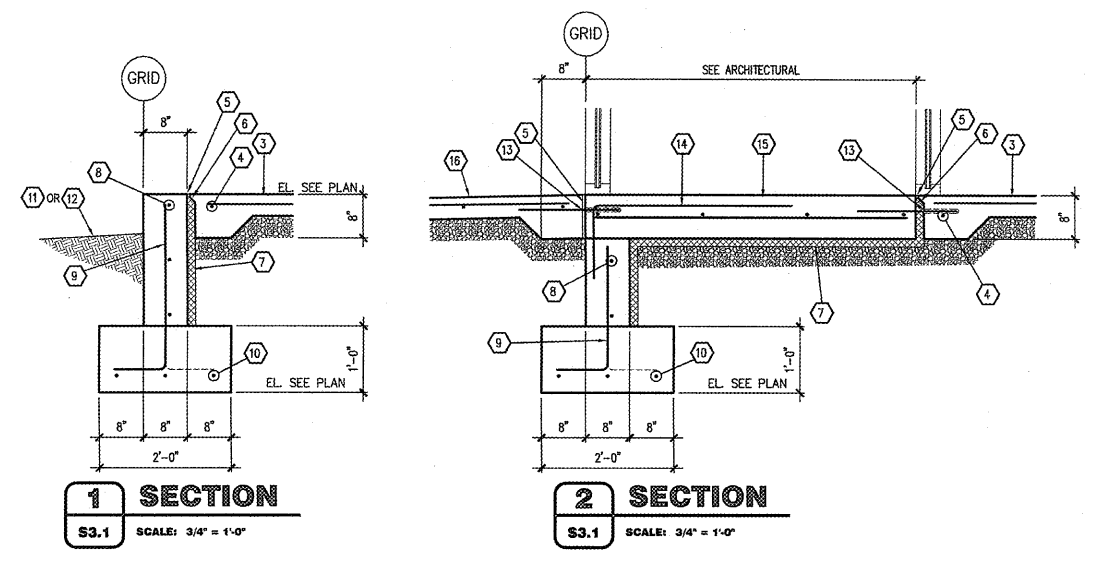


RECEIVED
AUG 18 2018
1736 EAST SUNSHINE AVENUE
SPRINGFIELD, MISSOURI 65804



- ### KEYNOTES
- PRE-ENGINEERED METAL BUILDING STRUCTURAL SYSTEM. SEE P.E.M.B. SHOP DRAWINGS FOR ADDITIONAL INFORMATION.
 - ANCHOR BOLTS. SEE FOUNDATION SCHEDULE AND PRE-ENGINEERED METAL BUILDING DRAWINGS FOR SIZE, QUANTITY AND PLAN LOCATION. SEE 1/S3.2 FOR TYPICAL SHOP FABRICATED ANCHOR ASSEMBLY.
 - INTERIOR CONCRETE SLAB SEE FOUNDATION PLAN.
 - #4 CONTINUOUS
 - 1/2" ISOLATION JOINT WITH ASPHALTIC FILLER & SEALANT
 - TAPER TOP OF RIGID INSULATION 45 DEGREES AS SHOWN. POUR SLAB OVER INSULATION.
 - RIGID INSULATION BOARD LOCATED AS SHOWN AND PERIMETER OF BUILDING. (R-10 MINIMUM REQUIRED).
 - #4's CONTINUOUS AT 10" O.C.
 - #4 BENT DOWELS @ 18" O.C. STAGGER HOODS TO SLAB.
 - (3) #4's CONTINUOUS
 - SEE GRADING PLAN FOR FINISHED GRADE.
 - DRAWING, SEE SITE DRAWINGS FOR ADDITIONAL INFORMATION.
 - DRILL 6" DIA HOLES FOR #4x1'-6" DOWELS @ 24" O.C. DRILL AND PLACE INTO FOUNDATION. FOLLOW ADHESIVE INSTRUCTIONS SPECIFIED BY MANUFACTURER.
 - #3x1'-0" DOWEL @ 18" O.C. FIELD BEND AS SHOWN.
 - ENTRY SLAB, SEE PLAN.
 - EXTERIOR CONCRETE SLAB OR SIDEWALK SEE FOUNDATION PLAN. REFER TO SITE DEVELOPMENT DRAWINGS FOR ALL EXTERIOR TOP OF CONCRETE ELEVATIONS.
 - #5 SLAB HAIRPIN. SEE DETAIL 4/S3.1
 - (3) #3 TIES @ 12" O.C.
 - #3 TIES @ 12" O.C.
 - PROVIDE EXTERIOR FINISH AT TOP OF STEMWALL (SLOPE AS NECESSARY) WITH SMOOTH TRANSITION BETWEEN TOP OF STEMWALL AND TOP OF SLAB.
 - STEM WALL AND FOOTING REINFORCEMENT TO RUN CONTINUOUS THROUGH COLUMN PILASTERS AND SPREAD FOOTINGS.
 - LINE OF STEM WALL AND FOOTING BEYOND
 - SEE FOUNDATION SCHEDULE FOR FOOTING & PILASTER REINFORCEMENT.
 - #4x4'-0" DOWEL CENTERED IN SLAB. TURN 45 DEGREES AS SHOWN
 - STEEL BOLLARD SEE SITE PLAN.
 - REFER TO SECTIONS FOR REBAR TIE SIZE AND SPACING.
 - #4 CORNER REINFORCEMENT TO MATCH STEM WALL BAR SPACING.
 - ADDITIONAL #4

Order Plans @



1736 East Sunshine, Suite 417
Springfield, Missouri 65804
417.862.2664
Fax: 417.862.3266
e-mail: architect@esterlytschneider.com

**ESTERLY
SCHNEIDER &
ASSOCIATES, INC.**
AIA architects & planners

PROJECT:
NEW O'REILLY AUTO PARTS STORE
U.S HWY 231
MURFREESBORO, TN #5
FOUNDATION DETAILS

O'Reilly AUTO PARTS
CORPORATE OFFICES
1000 W. MAIN ST.
SPRINGFIELD, MISSOURI 65802
(417) 862-2674 TELEPHONE

COMM #	4219
DATE:	8-17-18
REVISION	
DATE:	

J.S. Smith Consulting
Aaron D. Smith P.E. 00107193
1801 W 32nd St Bldg B Ste 104 * JOPLIN, MISSOURI 64804
P.O. Box 8102 * JOPLIN, MISSOURI 64802
PHONE: 417-624-0444 * FAX: 417-624-0430