



1736 East Sunnyside, Suite 417
Springfield, Missouri 65802
417.862.3265
FAX: 417.862.3265
e-mail: architect@esterysneider.com

**ESTERY
SNEIDER &
ASSOCIATES, INC.**
architects & planners
AIA

PROJECT:
NEW O'REILLY AUTO PARTS STORE
U.S. HWY 231
MURFREESBORO, TN #5
SITE SIGNAGE DETAILS

O'Reilly AUTO PARTS
CORPORATE OFFICES
233 SOUTH PATTERSON
SPRINGFIELD, MISSOURI 65802
(417) 862-2674 TELEPHONE

COMM # 4219
DATE: 8-17-18
REVISION
DATE:

GENERAL NOTES

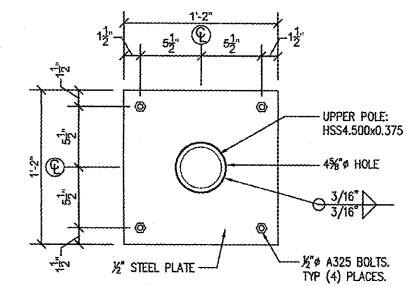
- A. REFER TO PROJECT MANUAL FOR ADDITIONAL REQUIREMENTS.
- B. CONTACT OWNER'S OR TENANT'S DESIGNATED PROJECT ADMINISTRATOR FOR QUESTIONS OR CLARIFICATIONS.
- C. SITE SIGN FOUNDATIONS AND ROUGH-IN ELECTRICAL TO BE PROVIDED BY CONTRACTOR.
- D. REQUIRED GOVERNMENTAL PERMITS FOR PERMANENT TYPE SIGNAGE TO BE PROVIDED BY OWNER OR OTHERS (N.I.C.).

DESIGN CRITERIA

- A. GOVERNING BUILDING CODE
2012 INTERNATIONAL BUILDING CODE
- B. WIND CRITERIA:
B.1. RISK CATEGORY II
B.2. $V_{100} = 115$ mph
B.3. $V_{50} = 89.1$ mph
B.4. EXPOSURE "C"
- C. SEISMIC CRITERIA:
C.1. SITE CLASS = C
C.2. $SD_{1.0} = 0.22$
C.4. $SD_{0.2} = 0.125$
C.5. $SD_{0.05} = 0.202$
C.6. $SD_{0.01} = 0.143$

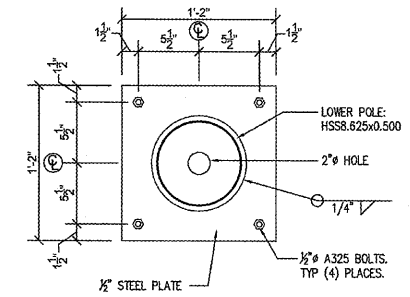
STRUCTURAL NOTES

- A. A GEOTECHNICAL ANALYSIS HAS BEEN PERFORMED ON THIS SITE. SEE PROJECT MANUAL FOR GEOTECHNICAL INFORMATION. APPROPRIATE RECOMMENDATIONS STATED IN THE GEOTECHNICAL REPORT ISSUED BY BACON FARMER WORKMAN ENGINEERING & TESTING, INC DATED JUNE 4, 2018 SHALL BE FOLLOWED.
- B. THESE FOUNDATIONS HAVE BEEN DESIGNED FOR A VERTICAL SOIL BEARING OF 2500 psf AND LATERAL BEARING OF 275 psf/ft. (NOTE: LATERAL EARTH PRESSURE INCREASED IN ACCORDANCE WITH DESIGN PROVISIONS FOR ISOLATED POLE FOUNDATIONS SUBJECT TO TRANSIENT LATERAL LOADS)
- C. ALL READY MIX CONCRETE SHALL BE 4000 psi FOR ALL CONCRETE PLACEMENT. DO NOT ADD WATER TO THE MIX DESIGN AFTER DELIVERY TO THE PROJECT SITE.
- D. EXPOSED EXTERIOR CONCRETE SHALL BE AIR-ENTRAINED (TOTAL AIR CONTENT = 5%).
- E. HOT OR COLD WEATHER CONCRETING SHALL BE IN ACCORDANCE WITH ACI 305-89 AND ACI 308-1-90, RESPECTIVELY.
- F. ANY CONCRETE PLACED BY MEANS OF PUMPING SHALL BE DONE IN ACCORDANCE WITH ACI 304.2R (82).
- G. CEMENT SHALL CONFORM TO A.S.T.M. C-150 TYPE III.
- H. AGGREGATES SHALL CONFORM TO A.S.T.M. C-33 FOR NORMAL WEIGHT CONCRETE.
- I. READY MIX CONCRETE SHALL BE MIXED AND DELIVERED IN ACCORDANCE WITH A.S.T.M. C-94.
- J. ADMIXTURES MAY BE USED WITH THE APPROVAL OF THE STRUCTURAL ENGINEER. ADMIXTURES USED TO INCREASE THE WORKABILITY OF THE CONCRETE SHALL NOT BE CONSIDERED TO REDUCE THE CEMENT CONTENT. NO CALCIUM CHLORIDE ADMIXTURES ALLOWED.
- K. FABRICATOR QUALIFICATIONS: FABRICATOR MUST PARTICIPATE IN THE AISC QUALITY CONTROL PROGRAM AND BE DESIGNATED AN AISC-CERTIFIED PLANT.
- L. MATERIALS:
• STRUCTURAL STEEL..... ASTM A992, GRADE 50ksi
• PLATES, ANGLES, AND MISC STEEL..... ASTM A36ksi
• ANCHOR RODS..... ASTM F1554, GRADE 36
• HIGH STRENGTH BOLTS..... ASTM A325
(OF NORTH AMERICAN MANUFACTURE)
• WELDING ELECTRODES..... AWS A5.1 (E70XX)
• PIPE..... ASTM A53, GRADE B
• ROUND HSS..... ASTM A500, GRADE B, $F_y = 42$ ksi



2 SIGN MATCH PLATE

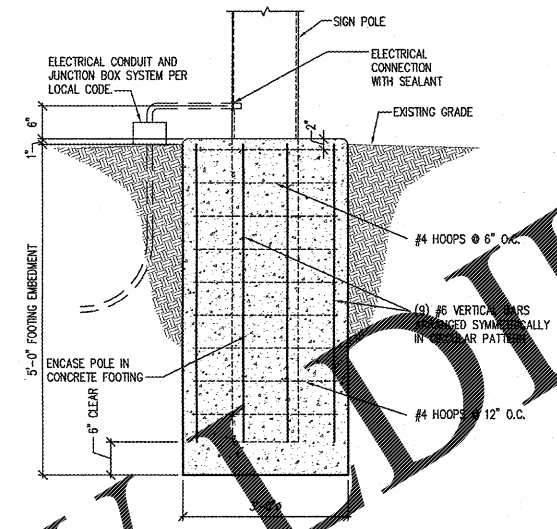
S1.2 SCALE: 1 1/2" = 1'-0"



3 POLE CAP PLATE

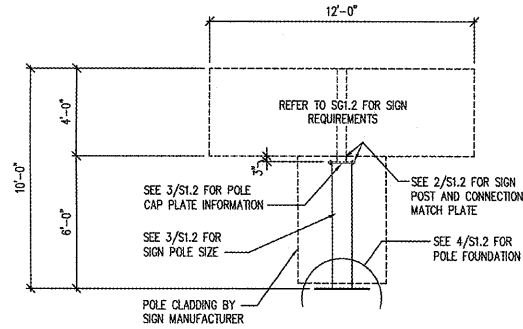
S1.2 SCALE: 1 1/2" = 1'-0"

NOTE:
VERIFY LOCATION PRIOR TO POURING TO
ASSURE NO INTERFERENCE WITH ALL UTILITIES



4 POLE FOUNDATION SECTION

S1.2 SCALE: 3/4" = 1'-0"



1 GROUND SIGN ELEVATION

S1.2 SCALE: 1/4" = 1'-0" (SEE SITE PLAN FOR LOCATION)

Order Plans @ www.ltdonline.com

J.S. Smith Consulting
Aaron D. Smith P.E. 00107193
1801 W 32nd St. Bldg B Site 104 * JOPLIN, MISSOURI 64804
P.O. Box 8102 * JOPLIN, MISSOURI 64802
PHONE: 417-624-0444 * FAX: 417-624-0430