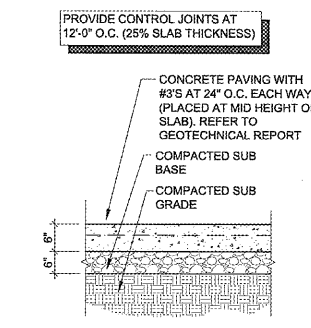
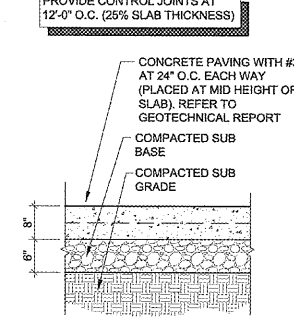


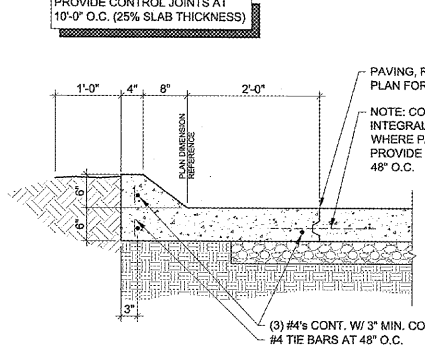
1736 SPRINGFIELD, MISSOURI  
 AUG 21 2018  
 RECEIVED



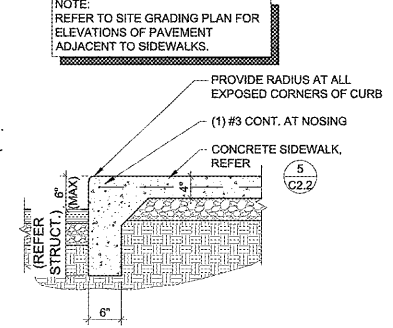
**1 CONCRETE (STANDARD DUTY) PAVING SECTION**  
 C2.2 SCALE: 3/4" = 1'-0"



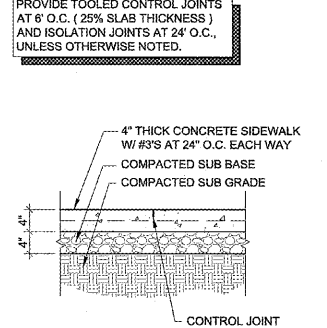
**2 CONCRETE (HEAVY DUTY) PAVING SECTION**  
 C2.2 SCALE: 3/4" = 1'-0"



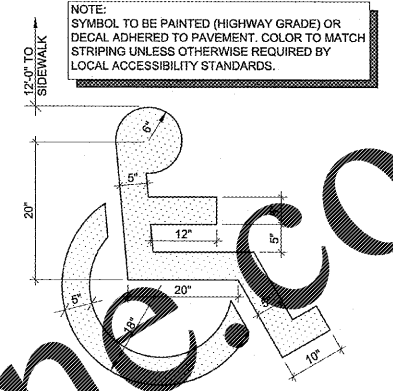
**3 CONCRETE CURB SECTION**  
 C2.2 SCALE: 3/4" = 1'-0"



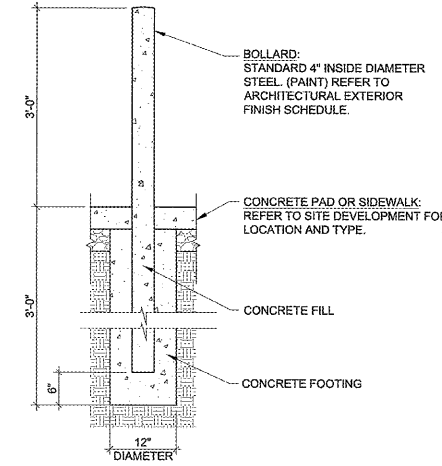
**4 CONCRETE SIDEWALK CURB SECTION**  
 C2.2 SCALE: 3/4" = 1'-0"



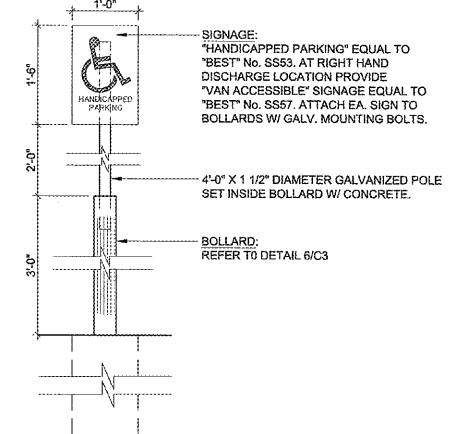
**5 CONCRETE SIDEWALK SECTION**  
 C2.2 SCALE: 3/4" = 1'-0"



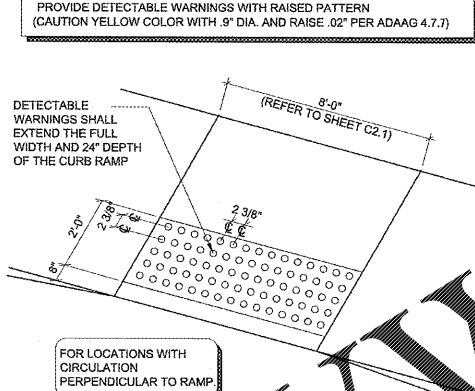
**6 ACCESSIBLE PARKING PAVEMENT STRIPING DETAIL**  
 C2.2 SCALE: 1/4" = 1'-0"



**7 STEEL BOLLARD SECTION**  
 C2.2 SCALE: 3/4" = 1'-0"



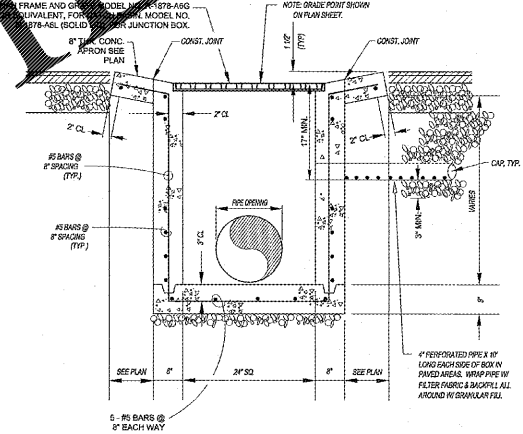
**8 HANDICAP PARKING SIGN DETAIL**  
 C2.2 SCALE: 3/4" = 1'-0"



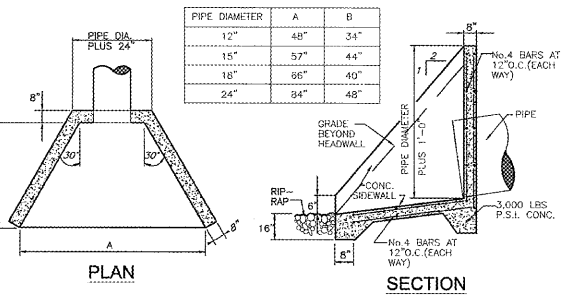
**9 DETECTABLE WARNING DETAIL**  
 C2.2 SCALE: (NOT TO SCALE)

**10 NOT USED**  
 C2.2 SCALE: N/A

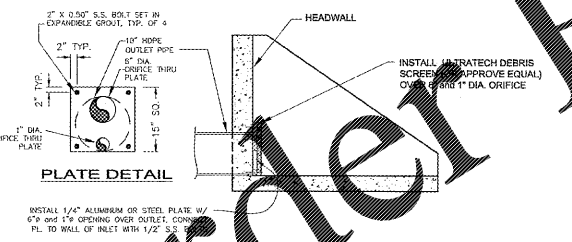
**11 NOT USED**  
 C2.2 SCALE: N/A



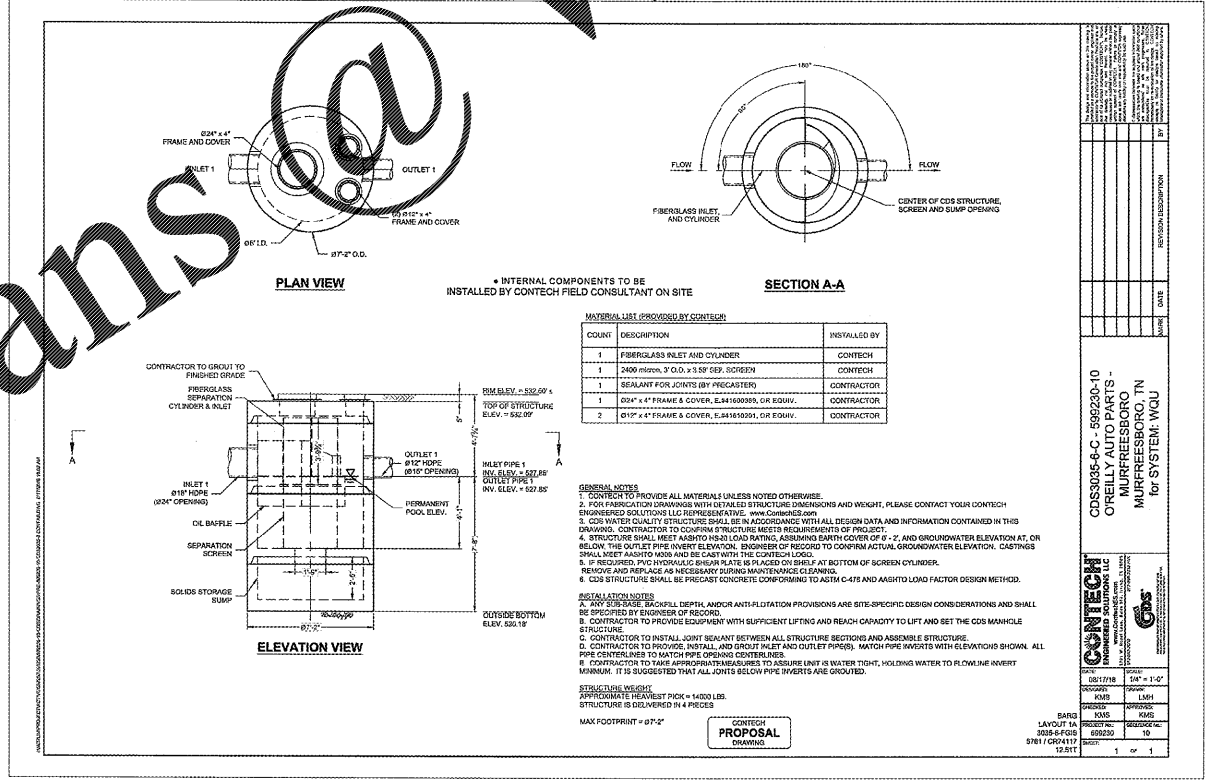
**12 CATCH BASIN AND JUNCTION BOX DETAIL**  
 C2.2 SCALE: (NOT TO SCALE)



**13 SLOPED & FLARED HEADWALL DETAIL**  
 C2.2 SCALE: (NOT TO SCALE)

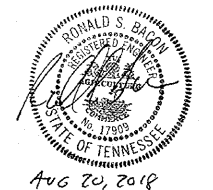


**14 OFFICE PLATE DETAIL**  
 C2.2 SCALE: (NOT TO SCALE)



**15 WATER QUALITY UNIT DETAIL**  
 C2.2 SCALE: (NOT TO SCALE)

**BACOM FARMER WORKMAN**  
 ENGINEERING & TESTING, INC.  
 500 SOUTH 17th STREET 403 NORTH COURT STREET 1215 DULGOLD DRIVE  
 SPRINGFIELD, MO 65703 MARION, IA 62809 MISSOURI, MO 64507  
 PHONE - 417-862-1885 PHONE - 618-997-8190 PHONE - 270-753-7307



1736 East Sunning Hill #17  
 Springfield, Missouri 65804  
 417.862.1885  
 Fax: 417.862.3220  
 e-mail: architect@estertyschneider.com

**ESTERTY SCHNEIDER & ASSOCIATES, INC.**  
 AIA architects & planners

PROJECT:  
**NEW O'REILLY AUTO PARTS STORE**  
 U.S. HWY 231  
 MURFREESBORO, TN #5  
**SITE DETAILS**

**O'Reilly AUTO PARTS**  
 CORPORATE OFFICES  
 233 SOUTH PATTERSON  
 SPRINGFIELD, MISSOURI 65802  
 (417) 862-2674 TELEPHONE

COMM # 4219  
 DATE: 8-17-18  
 REVISION  
 DATE:

C2.2