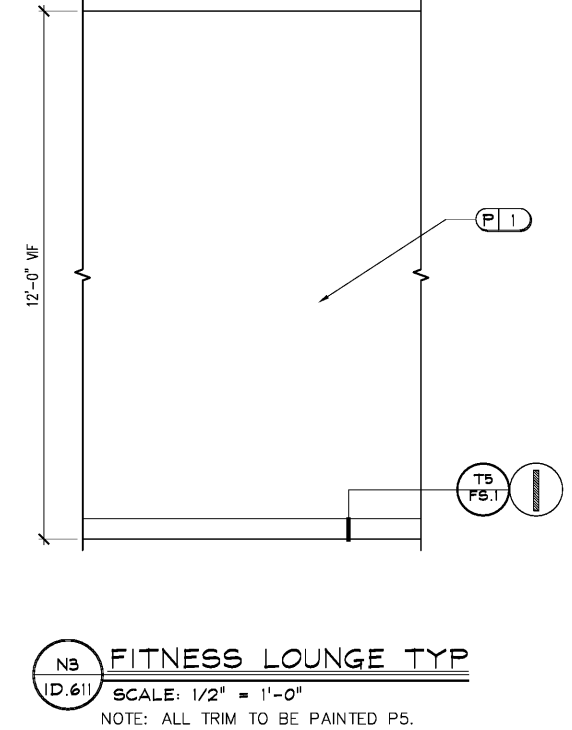
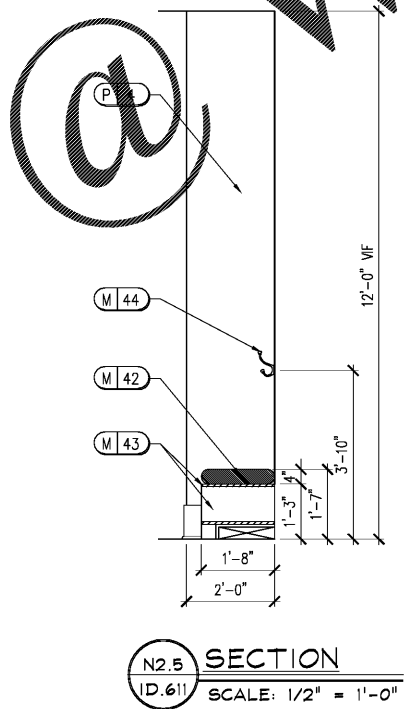
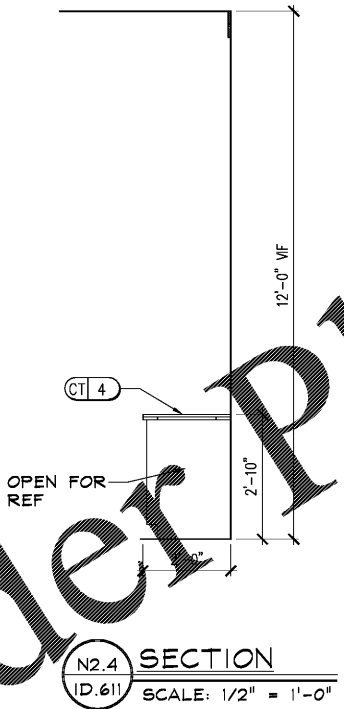
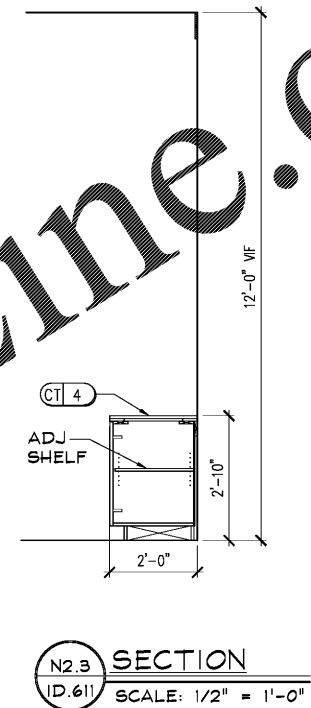
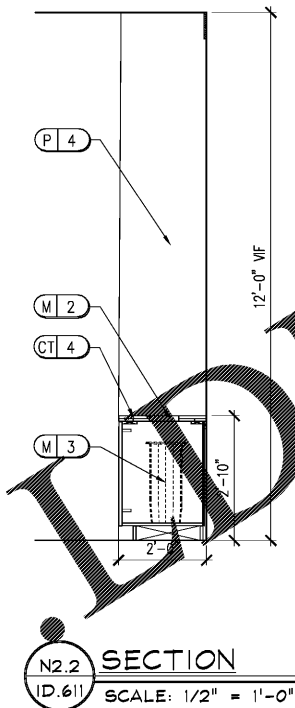
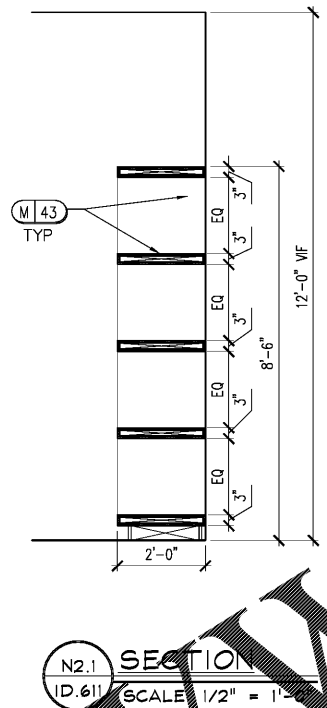
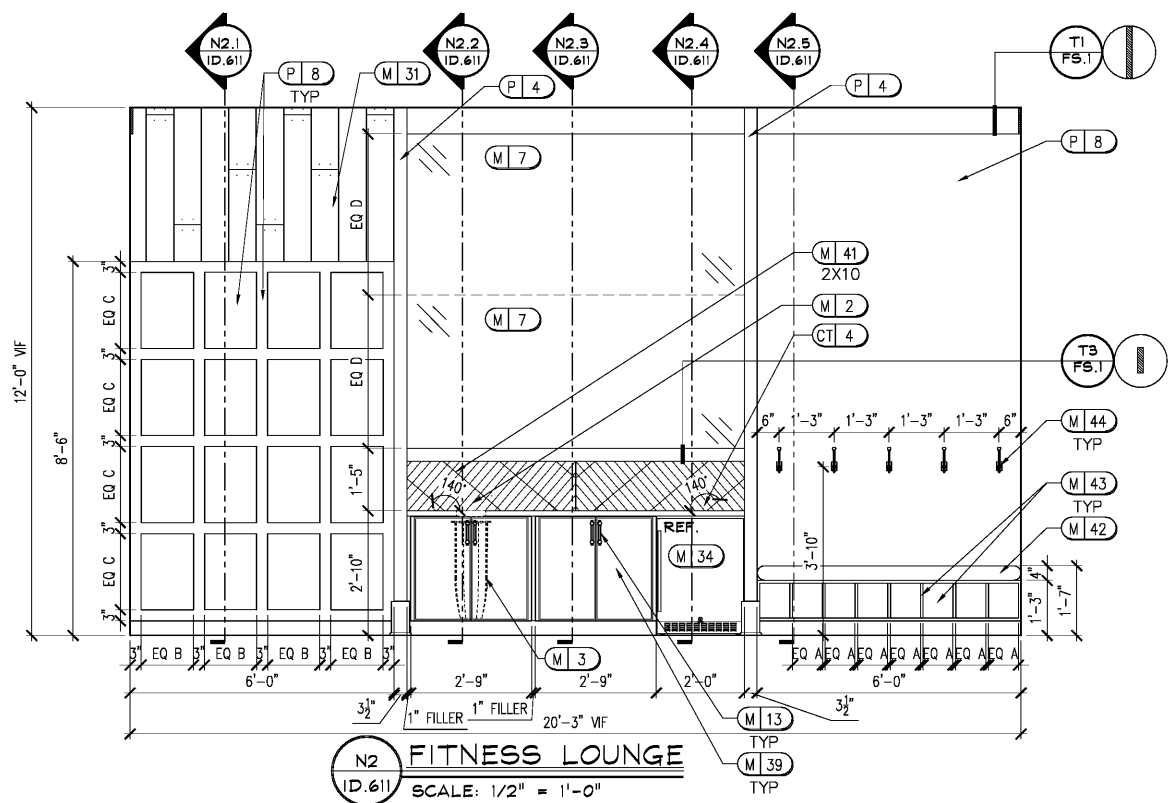


Order Plans



DEI
DESIGN ENVIRONMENTS INC.

Interior Design • Rendering
401 GASTON AVENUE, SUITE 200
NASHVILLE, TN 37203
Phone: 770-429-2001
• E-MAIL: dei@designenvironments.com

This Drawing is the property of Design Environments Inc. and without their written permission, it may not be reproduced.

LEASING/AMENITY @
ALEXANDRIA
HUNTSVILLE, AL
BOBO FAMILY GROUP

REVISIONS	
DR.	REV.

RELEASED FOR CONSTRUCTION

BEGIN DATE: 10/30/18
RELEASE DATE: 12/28/18
DESIGNER: NSQ
CAD DESIGNER: WP
REVIEWED BY: NSQ, WP, MS

JOB #: 18270
TITLE: INTERIOR ELEVATIONS & DETAILS
SHEET: ID.611