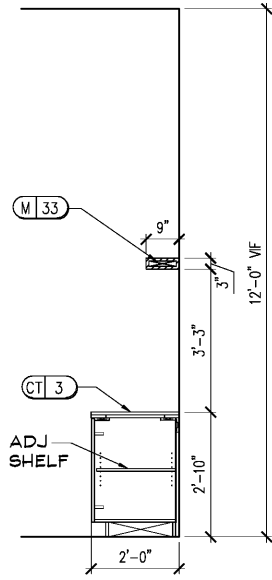
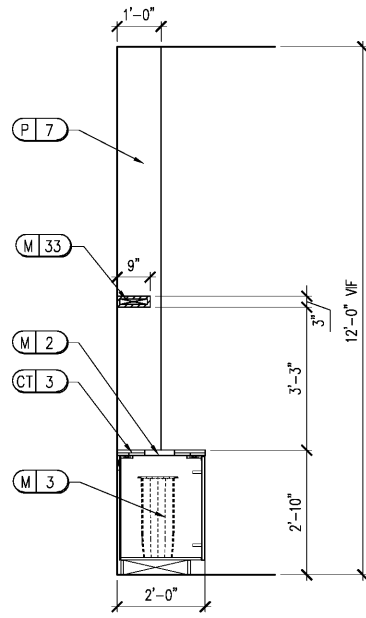


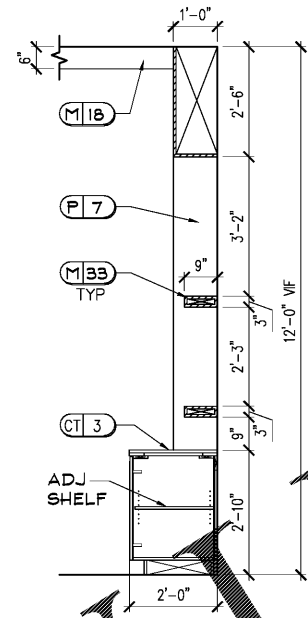
**C5.3 SECTION**  
D.605 SCALE: 1/2" = 1'-0"



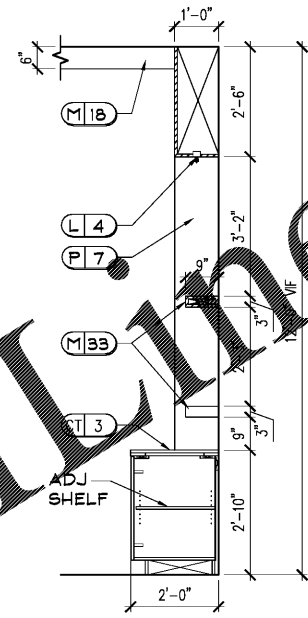
**C5.4 SECTION**  
D.605 SCALE: 1/2" = 1'-0"



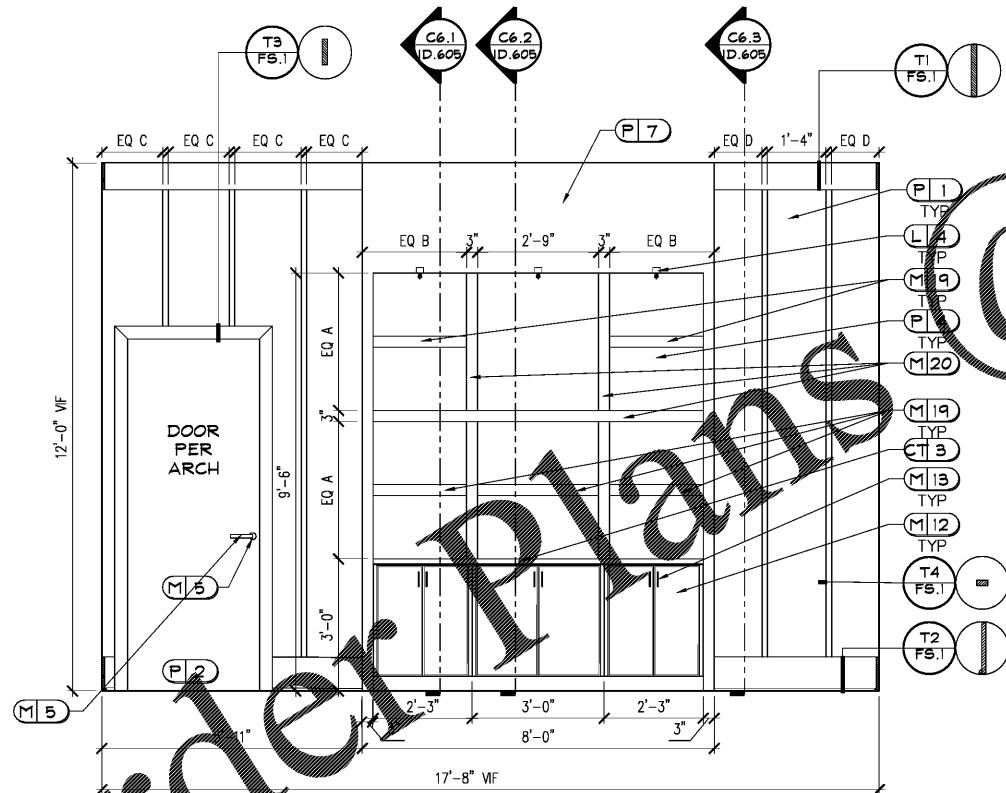
**C5.5 SECTION**  
D.605 SCALE: 1/2" = 1'-0"



**C5.6 SECTION**  
D.605 SCALE: 1/2" = 1'-0"

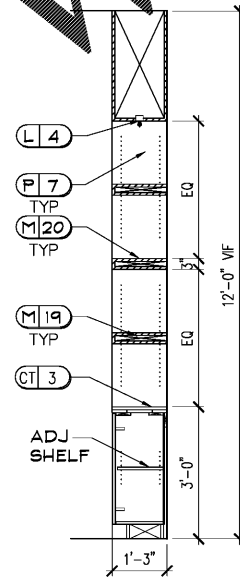


**C5.7 SECTION**  
D.605 SCALE: 1/2" = 1'-0"

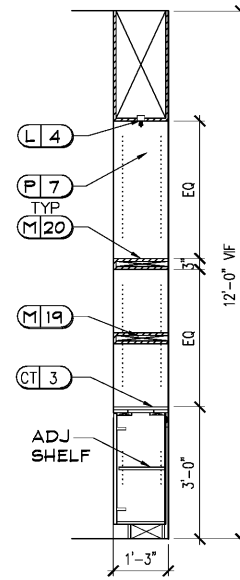


**C6 CLUB BAR**  
D.605 SCALE: 1/2" = 1'-0"

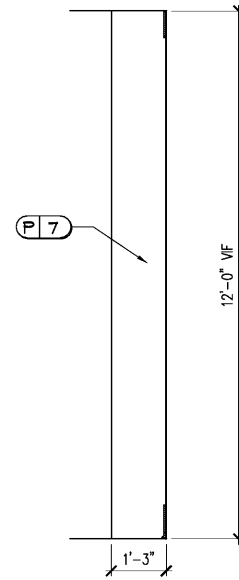
NOTE: 1. ALL TRIM TO BE PAINTED P2.  
2. WALL TO BE SMOOTH FINISH.  
3. REFER TO ID.200A FOR LIGHTING LOCATIONS.  
4. MITER ALL EDGES OF M19 AND M20.



**C6.1 SECTION**  
D.605 SCALE: 1/2" = 1'-0"



**C6.2 SECTION**  
D.605 SCALE: 1/2" = 1'-0"



**C6.3 SECTION**  
D.605 SCALE: 1/2" = 1'-0"

Order Plans @ WWW.DIline.com

**DEI**  
DESIGN ENVIRONMENTS INC.

Interior Elevations • Partitions • Milling  
100 EASTWAY DRIVE SUITE 200  
HUNTSVILLE, AL 35894  
Phone: 770-429-4200  
Fax: 770-429-4201  
E-MAIL: info@deiinc.com

This Drawing is the property of Design Environments Inc. and shall not be used or reproduced without their written permission.

LEASING/AMENITY @  
ALEXANDRIA  
HUNTSVILLE, AL  
BOBO FAMILY GROUP

REV.	DATE	REMARKS

**RELEASED FOR CONSTRUCTION**  
BEGIN DATE: 10/30/18  
RELEASE DATE: 12/28/18  
DESIGNER: NSQ  
CAD DESIGNER: WP  
REVIEWED BY: NSQ, WP, MS

JOB #: 18270  
TITLE: INTERIOR ELEVATIONS & DETAILS  
SHEET: ID.605