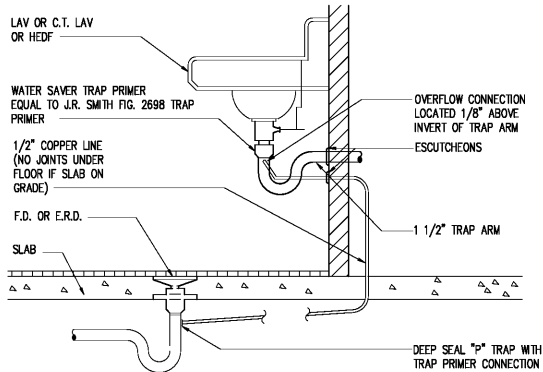


PLUMBING NOTES AND SPECIFICATIONS

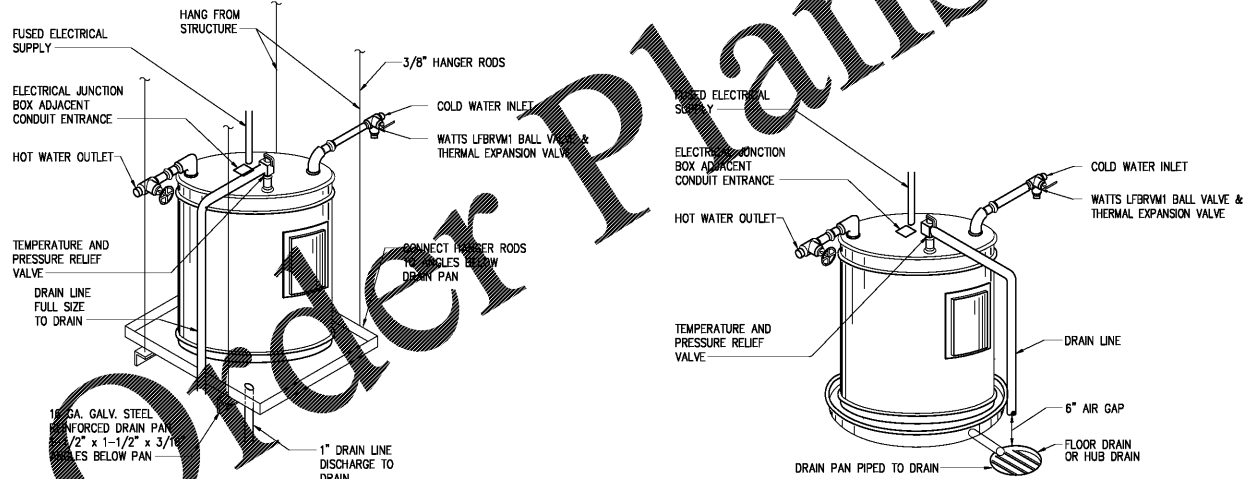
- FURNISH ALL LABOR, MATERIAL, AND EQUIPMENT REQUIRED FOR A COMPLETE PLUMBING SYSTEM IN ACCORDANCE WITH ALL NATIONAL, STATE, AND LOCAL CODES.
- FURNISH AND INSTALL ALL SYSTEMS OF SOIL, WASTE, AND VENT PIPING, HOT & COLD WATER PIPING, AND DRAINAGE PIPING INCLUDING ALL FITTINGS, VALVES, ETC. AS REQUIRED.
- FURNISH AND INSTALL ALL PLUMBING FIXTURES AND EQUIPMENT AS SHOWN ON THE DRAWINGS.
- ALL PLUMBING WORK SHALL BE DONE UNDER THE SUPERVISION OF AND BY LICENSED AND QUALIFIED PLUMBERS PER ALL LOCAL, STATE, AND NATIONAL CODES AND TO THE COMPLETE SATISFACTION OF THE LOCAL PLUMBING INSPECTOR.
- SUBMISSION OF A BID OR PROPOSAL SHALL BE CONSTRUED AS EVIDENCE THAT THE CONTRACTOR HAS FAMILIARIZED HIMSELF WITH THE PLANS, SPECIFICATIONS, AND BUILDING SITE. CLAIMS MADE SUBSEQUENT TO BIDS FOR MATERIALS AND/OR LABOR DUE TO DIFFICULTIES ENCOUNTERED WILL NOT BE RECOGNIZED, UNLESS DIFFICULTIES COULD NOT HAVE BEEN FORESEEN EVEN THOUGH PROPER EXAMINATION HAD BEEN MADE.
- CONTRACTOR SHALL BE RESPONSIBLE FOR ALL UTILITY CONNECTIONS AND SHALL BEAR ALL COSTS OF INSTALLING NEW WATER METER.
- ALL MATERIALS SHALL BE NEW, CLEAN, AND WITHOUT DEFECTS. ANY DEFECTIVE MATERIALS SHALL BE REMOVED FROM THE JOB SITE.
- ALL PLUMBING PIPING SHALL BE CONCEALED WITHIN THE BUILDING STRUCTURE AND ABOVE DROP CEILINGS.
- ALL HOT AND COLD WATER PIPING SHALL BE COPPER TYPE "L".
- ALL COPPER DOMESTIC PIPING SHALL HAVE SOLDER JOINTS, 95-5 NO-LEAD SOLDER, AND SUPPORTED ADEQUATELY FROM STRUCTURE WITH SPLIT RING HANGERS.
- COLD WATER PIPING IN UNCONDITIONED SPACES AND ALL HOT WATER PIPING SHALL BE INSULATED WITH 1/2" THICK PRE-FORMED FOAM PIPE INSULATION BY IMCOLOCK. INSULATE FITTINGS WITH MITERED SECTIONS.
- SANITARY, WASTE, AND VENT PIPING ABOVE GRADE SHALL BE NO-HUB CAST IRON OR ASTM D2665-81 PVC SCHEDULE 40 PIPE.
- CLEANOUT PLUGS SHALL BE INSTALLED IN ACCORDANCE WITH PLUMBING CODE REQUIREMENTS AT EACH CHANGE IN DIRECTION & AT THE BASE OF EACH SANITARY STACK. CLEANOUTS SHALL BE PLACED IN READILY ACCESSIBLE LOCATIONS.
- PROVIDE VALVES IN DOMESTIC WATER SYSTEM TO CUT-OFF WATER SERVICE MAIN INSIDE THE BUILDING, AT EACH WALL HYDRANT, AND TO ISOLATE EACH FIXTURE IN THE BUILDING.
- PROVIDE BACK-FLOW PREVENTER AND SHUT-OFF VALVES AT WATER METER, OR AS SHOWN, WATTS SERIES 008 WITH DRAIN TO OUTSIDE.
- PROVIDE WATER PRESSURE REDUCING VALVE WATTS U5B. (SET AT 60 PSIG).
- INSULATE ALL EXPOSED PIPING UNDER HANDICAPPED LAVATORIES WITH TRU-BRO.
- FIRESTOPS SHALL BE PROSET "FIRESTOP PENETRATORS."
- PROVIDE WATTS MODEL 15 WATER HAMMER ARRESTORS WHERE QUICK CLOSING VALVES ARE UTILIZED.
- UPON COMPLETION OF THE WORK, TEST ALL PIPING SYSTEMS AS FOLLOWS:
 - DRAINAGE SYSTEMS INCLUDING SANITARY SEWERS, ROOF DRAINAGE, AND SANITARY VENTS. PLUG LOW POINTS OF SYSTEM AND FILL WITH WATER TO UPPERMOST OUTLET UP TO TWELVE (12) FEET HIGH, WHICHEVER IS LOWER. LET SYSTEM STAND FULL OF WATER WITH NO INDICATIONS OF LEAKS.
 - DOMESTIC HOT AND COLD WATER: 150 PSIG HYDROSTATIC TEST. HOLD HYDROSTATIC TESTS FOR A MINIMUM OF EIGHT (8) HOURS WITHOUT LOSS OF PRESSURE. HOLD AIR TESTS FOR A MINIMUM OF ONE HOUR WITHOUT SIGNIFICANT LOSS OF PRESSURE. WITH APPROVAL OF ARCHITECT, AIR TESTING MAY BE SUBSTITUTED FOR HYDROSTATIC TESTING IN FREEZING WEATHER.
- RETESTING: RETEST PIPING FAILING INITIAL TESTS FOLLOWING CORRECTION OF DEFECTIVE WORK. REQUIREMENTS OF INITIAL TESTS SHALL APPLY.

PLUMBING FIXTURES (OR APPROVED EQUAL)

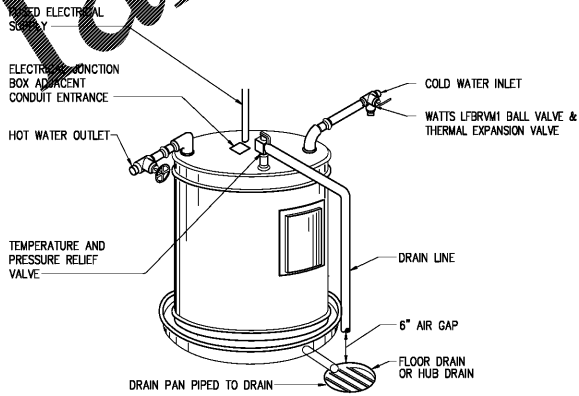
- | | | | | | |
|-------|--|------|--|------|--|
| WC-1 | Water Closet - Floor Mounted - Tank type - American Standard 2832.128 Cadet 3 Flowise (16-1/2" high) elongated water saver, 1.28 GPF, white vitreous china toilet, siphon jet action, close coupled tank and two bolt caps. Seat to be 5901.100 white solid plastic open front heavy duty. | KS | Kitchen Sink - Undermount - Elkay ELUH2816PD undermount single bowl stainless steel sink with Delta 400LF-HDF faucet. Flow rate is 1.5 GPM. | WH-D | Water Heater - Electric - Chromatone Model SR-30L capable of 49F temperature rise at 0.5 GPM with 3.6 KW electrical input at 120 volt. |
| WC-2 | Water Closet - Floor Mounted - Tank type - ADA - American Standard 2835.128 Cadet 3 Flowise (16-1/2" high) elongated water saver, 1.28 GPF, white vitreous china toilet, siphon jet action, close coupled tank and two bolt caps. Seat to be 5901.100 white solid plastic open front heavy duty seat. Handle shall be installed on wide side of toilet. | KS-1 | Kitchen Sink - Undermount - Elkay ELUH281655 undermount single bowl stainless steel sink with a 5-3/8" depth with Delta 400LF-HDF faucet. Flow rate is 1.5 GPM. | WMB | Washing Machine Box - Water-Tile Model W4700. For boxes located in a fire rated wall use Proset Fire Guard washer box. |
| UR | Urinal - Wall Hung - ADA - American Standard 6590.001 Washbrook white vitreous china washout urinal, 3/4" inlet spud and outlet threaded 2" inside. Sloan 186-0.25 0.25 GPF flush valve. Mount rim at 17" to lip from finished floor. | MS | Map Service Sink - Acorn TOR-28 terrazzo receptor, 28" x 28" x 12" high with stainless steel threshold, 3" integral strainer & drain. Acorn KFC exposed type double faucet combination with bucket hook, hose & outlet, vacuum breaker and top brace. | FD | Floor Drain - Jay R. Smith 2005-A5NB-U with cast iron body with Type "A" strainer. |
| LAV-1 | Lavatory - Wall Hung - American Standard 0321.026 Declyn white vitreous china lavatory, with wall hanger, Delta 501LF-HGMHDF 4" centerset faucet with chrome single lever handle & a 0.5 GPM flow rate, McGuire 155A grid drain assembly, with 1-1/4" tailpiece, McGuire 8872 1-1/4" P-trap with cleanout, McGuire 170 supplies with wheel handle stops & escutcheons. | BT | Bath Tub - Clarion RE8830 (60"x30"). Delta R10000-UNWS pressure balancing valve with trim package T13H132 single lever tub and shower valve. Shower head flow rate is 1.5 GPM. | FCO | Floor Cleanout - Jay R. Smith 4025-PB-U |
| LAV-2 | Lavatory - Countertop - American Standard 0439.004 Ohio white vitreous china self-rimming lavatory, Delta 501LF-HGMHDF 4" centerset faucet with chrome single lever handle & a 0.5 GPM flow rate, McGuire 8872 1-1/4" P-trap with cleanout, McGuire 170 supplies with wheel handle stops & escutcheons. | SH | Shower - Clarion RE7930XT (60"x30"). Complete with drain with perforated strainer, shower curtain & Delta R10000-UNWS pressure balancing valve with trim package T13H132. Flow rate is 1.5 GPM. | OSI | Oil/Sediment Interceptor - Milfab MI-05-2 with a holding capacity of 6 cubic feet. |
| LAV-3 | Lavatory - Undermount - American Standard 0630.000 Colony white vitreous china undermount lavatory, Delta 501LF-HGMHDF 4" centerset faucet with chrome single lever handle & a 0.5 GPM flow rate, McGuire 155A grid drain assembly, with 1-1/4" tailpiece, McGuire 8872 1-1/4" P-trap with cleanout, McGuire 170 supplies with wheel handle stops & escutcheons. Flow rate is 2.2 GPM. | SH-1 | Shower - ADA - Clarion MP6333BF34 (63"x33"). Complete with drain with perforated strainer, shower curtain and Delta R10000-UNWS pressure balancing valve with trim package T13H152, grab bars & slide guide for shower head. Flow rate is 1.5 GPM. Threshold is 3/4". | TP-1 | Trap Primer - Jay R. Smith 269S-Primeze* with P-trap & use soft copper tubing with no joints below floor to drain. |
| HS-1 | Hand Sink - Countertop - Just SL-2122-B-GR, 20 ga. self-rimming single bowl stainless steel sink, Just JTR-51-W4 faucet with Just J35 basket strainer, EBC TA150 P-trap with cleanout, EBC LA26 supplies with wheel handle stops & escutcheons. Flow rate is 2.2 GPM. | WH-A | Water Heater - Electric - Bradford White RE240L6 with 38 gallon storage with an electric input of 4500 watts, 240 volt single phase (or compatible) service. Unit shall have adjustable thermostat for each heating element. Tank shall be insulated with 2" thick fiberglass insulation and metal jacket. Watts LFBRW1 combination ball valve & thermal expansion valve to be installed. Energy Factor is 0.95. | TP-2 | Trap Primer - Jay R. Smith Plumbing Products Oregon #1* with soft copper tubing to drain. |
| HS-2 | Hand Sink - Wall Hung - Just A-5411-S, 20 ga. single bowl stainless steel sink, JS-47-TGA-A-35 basket strainer, EBC TA150 P-trap with cleanout, EBC LA26 supplies with wheel handle stops & escutcheons. | WH-B | Water Heater - Electric - Bradford White RE250L6 with 47 gallon storage with an electric input of 4500 watts, 240 volt single phase (or compatible) service. Unit shall have adjustable thermostat for each heating element. Tank shall be insulated with 2" thick fiberglass insulation and metal jacket. Watts LFBRW1 combination ball valve & thermal expansion valve to be installed. Energy Factor is 0.95. | RCP | Hot Water Recirculating Pump - Taco 006-BC4-PNP capable of 5 GPM @ 5 ft. of head. Power is 1/40 HP at 115 volts. |
| | | WH-C | Water Heater - Electric - Bradford White RE120U6 with 19 gallon storage with an electric input of 1500 watts, 120 volt single phase (or compatible) service. Unit shall have adjustable thermostat for each heating element. Tank shall be insulated with 2" thick fiberglass insulation and metal jacket. Watts LFBRW1 combination ball valve & thermal expansion valve to be installed. | AAV | Air Asph. Valve - Studor Redi-Vent |



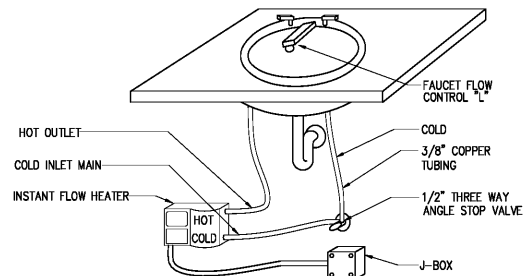
6 LAVATORY TRAP PRIMER
P-10 NOT TO SCALE



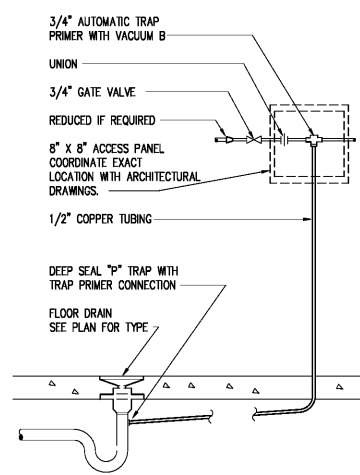
1 ELECTRIC WATER HEATER
P-10 NOT TO SCALE



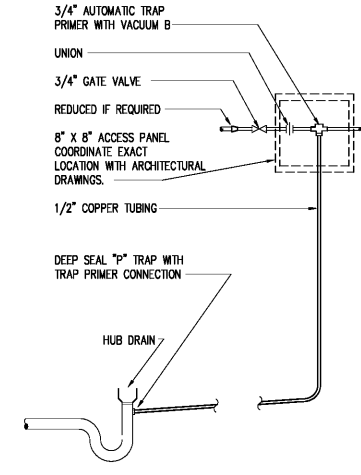
2 ELECTRIC WATER HEATER
P-10 NOT TO SCALE



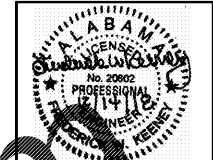
3 INSTANTANEOUS WATER HEATER
P-10 NOT TO SCALE



4 AUTOMATIC TRAP PRIMER
P-10 NOT TO SCALE



5 AUTOMATIC TRAP PRIMER
P-10 NOT TO SCALE



ENGLISH & ASSOCIATES ARCHITECTS, INC
3084 MERCER UNIVERSITY DRIVE, SUITE 100
ATLANTA, GEORGIA 30341
DENGUSH@ENGLISHASSOCIATESINC.COM

JOB PROGRESS:
ITEM DATE

REVISIONS:
DATE NO.

This drawing, as an instrument of service, is and shall remain the property of the Architect. Of Record and shall not be published, reproduced or used in any way without the written permission of the Architect. Of Record. DO NOT SCALE this drawing. All questions to be submitted as a formal request for information to the Architect. Of Record.

ALEXANDRIA
AN APARTMENT COMMUNITY
FOR
BOBO FAMILY GROUP
HUNTSVILLE, ALABAMA

JOB NUMBER:
DRAWN BY: RK
CHECKED BY: RK

PLUMBING NOTES & DETAILS
SHEET NO.

P-10