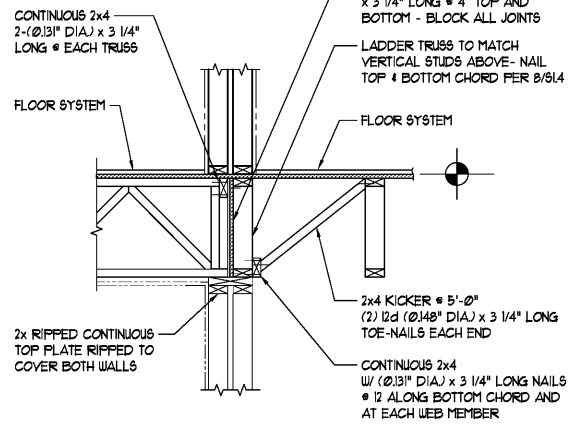
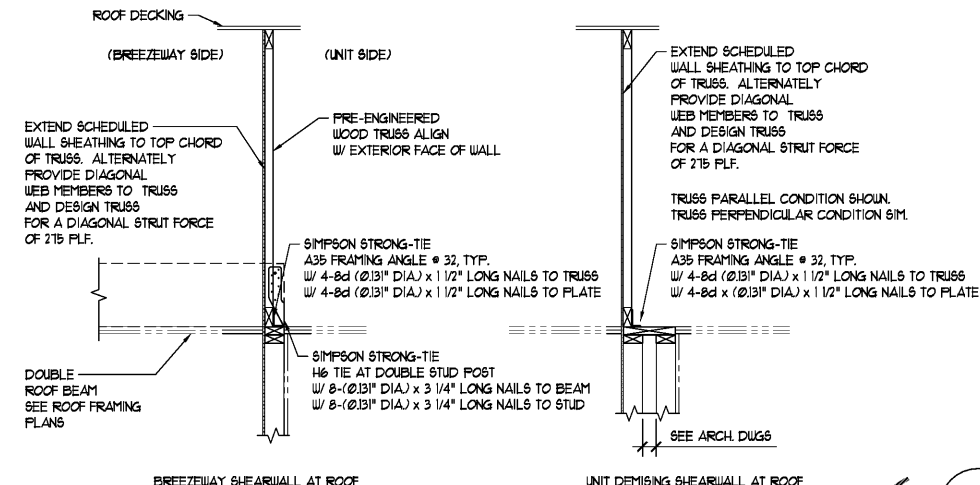


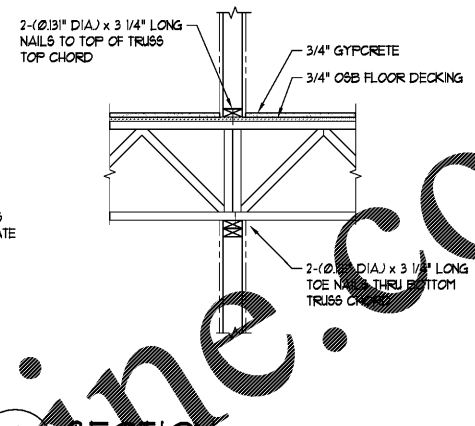
**1 SECTION**  
SCALE: 3/4" = 1'-0"



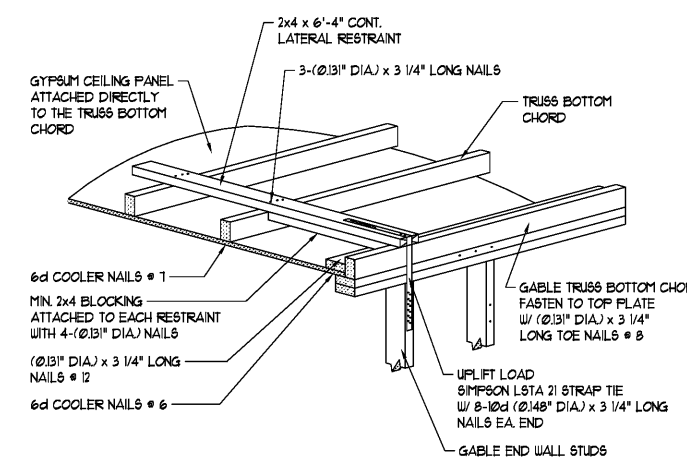
**2 SECTION**  
SCALE: 3/4" = 1'-0"



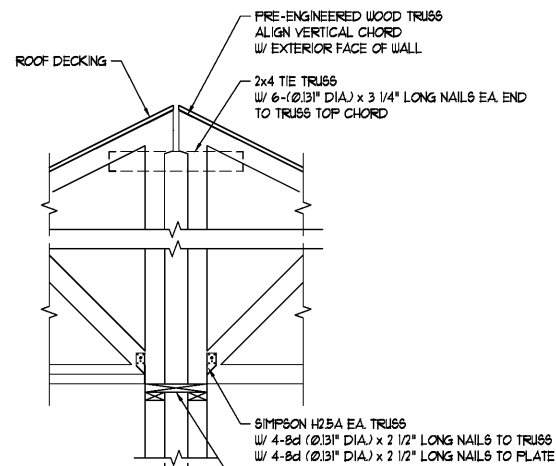
**3 DETAIL**  
SCALE: 3/4" = 1'-0"



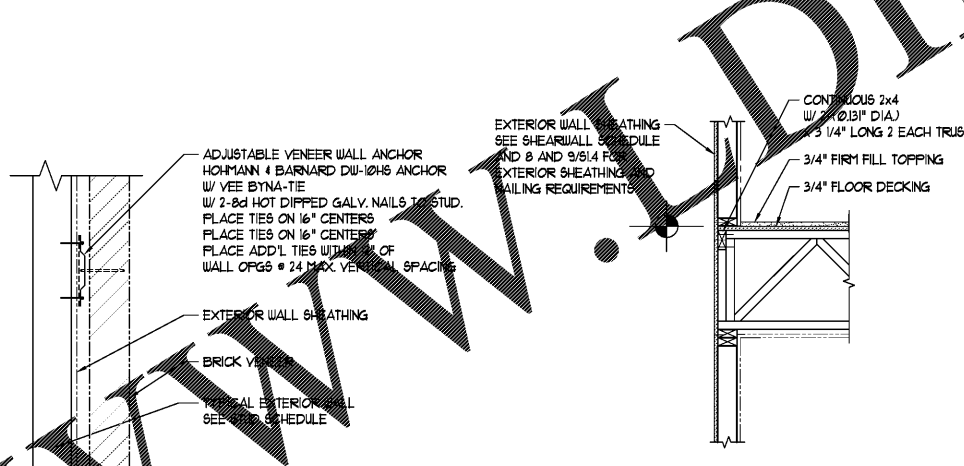
**4 SECTION**  
SCALE: 3/4" = 1'-0"



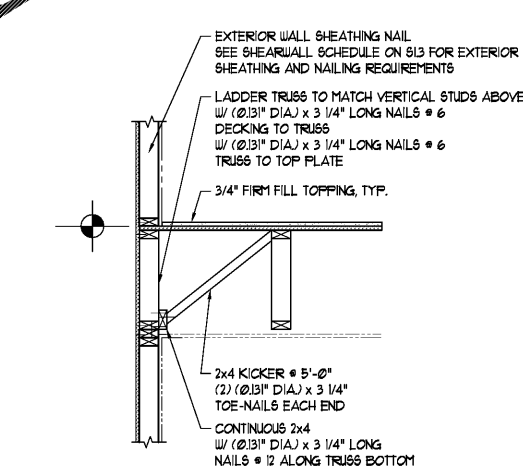
**5 DETAIL**  
SCALE: NA



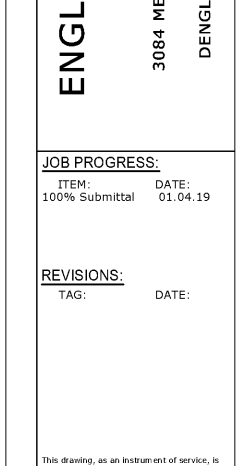
**6 SECTION**  
SCALE: NONE



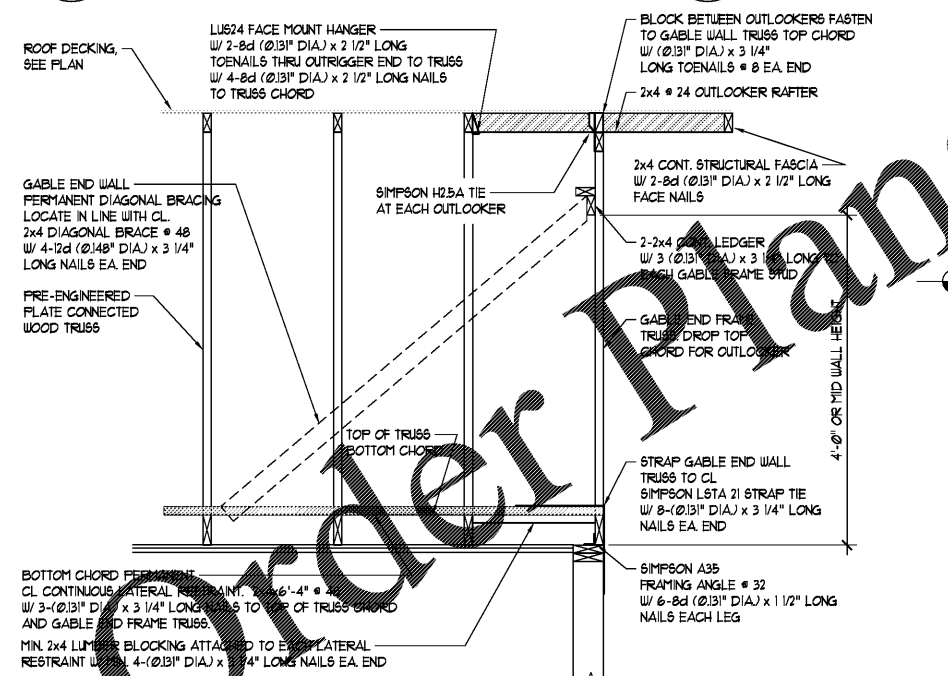
**7 DETAIL**  
SCALE: 1 1/2" = 1'-0"



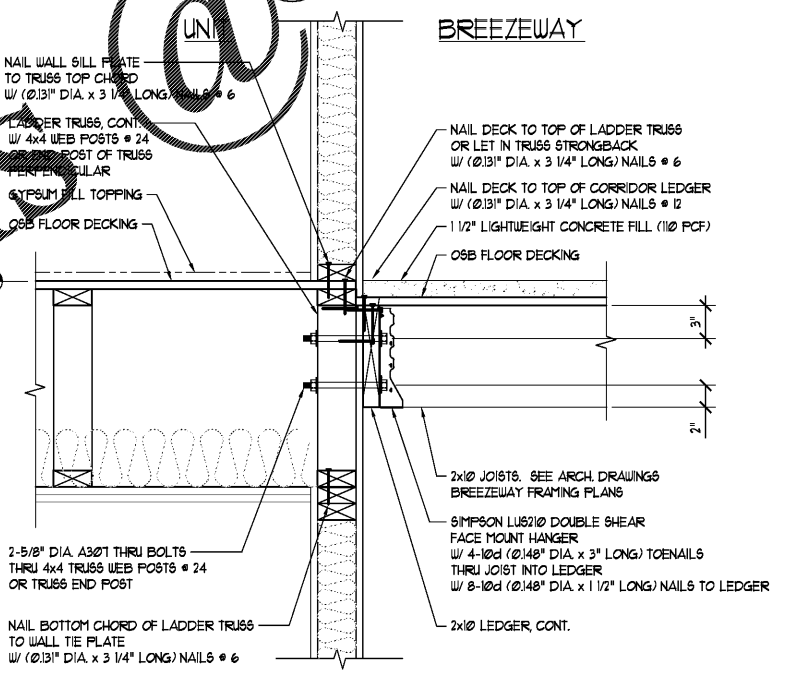
**8 SECTION**  
SCALE: 3/4" = 1'-0"



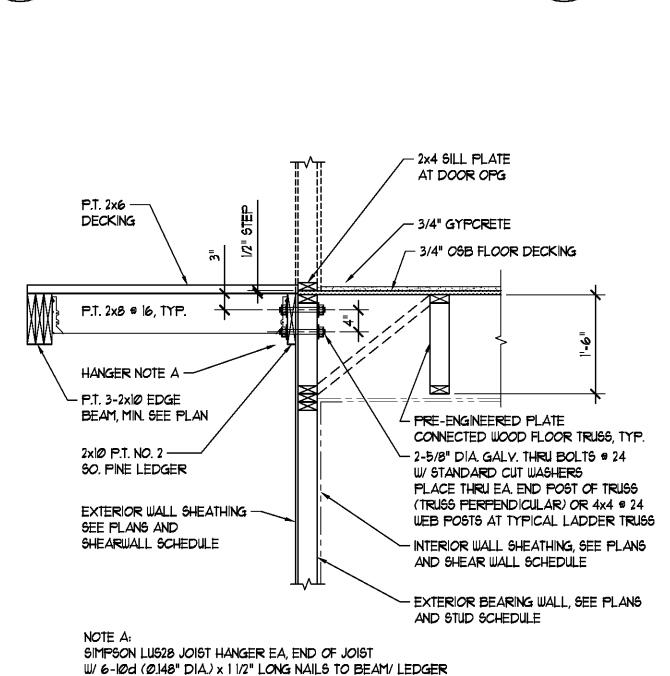
**9 SECTION**  
SCALE: 3/4" = 1'-0"



**10 SECTION**  
SCALE: 3/4" = 1'-0"

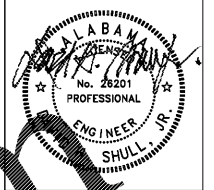


**11 SECTION**  
SCALE: 1 1/2" = 1'-0"



**12 SECTION**  
SCALE: 3/4" = 1'-0"

DAVID H. SHULL, JR., P.E.  
ALABAMA REGISTRATION #: PE 26201  
IN ASSOCIATION WITH  
SHULL & ASSOCIATES, INC.  
ALABAMA CERTIFICATE OF AUTHORIZATION CA 3177 E  
127 CHURCH STREET NE SUITE 100 MARIETTA, GA 30066  
(404) 459-0585 WWW.SHULLASSOCIATES.COM



**ENGLISH & ASSOCIATES**  
ARCHITECTS, INC.  
3084 MERCER UNIVERSITY DRIVE, SUITE 100  
ATLANTA, GEORGIA 30341  
DENGGLISH@ENGLISHASSOCIATESINC.COM

**JOB PROGRESS:**  
ITEM: 100% Submittal  
DATE: 01.04.19

**REVISIONS:**  
TAG: DATE:

This drawing, as an instrument of service, is and shall remain the property of the Architect or Record and shall not be published, reproduced or used in any way without the written permission of the Architect of Record. DO NOT scale this drawing. All questions to be submitted as a formal request for information to the Architect of Record.

**ALEXANDRIA**  
AN APARTMENT COMMUNITY  
FOR  
Bobo Family Group  
HUNTSVILLE, ALABAMA

**JOB NUMBER:**  
**DRAWN BY:** AV  
**CHECKED BY:** DHS

**SCHEDULES**  
**SHEET NO.**  
**S1.5**