

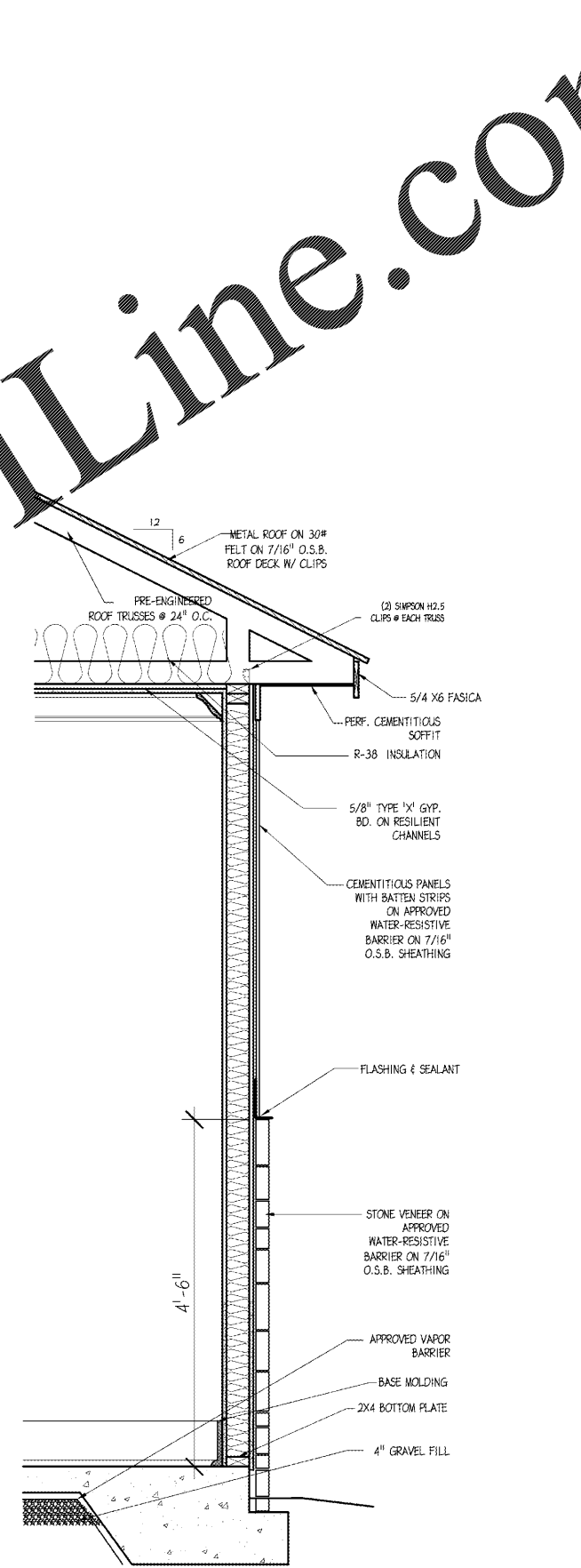
ENGLISH & ASSOCIATES ARCHITECTS, INC.
 3084 MERCER UNIVERSITY DRIVE, SUITE 100
 ATLANTA, GEORGIA 30341
 DENGGLISH@ENGLISHASSOCIATESINC.COM

JOB PROGRESS:
 ITEM: DATE:
REVISIONS:
 TAG: DATE:
This drawing, as an instrument of service, is and shall remain the property of the Architect of Record and shall not be published, reproduced or used in any way without the written permission of the Architect of Record. DO NOT scale this drawing. All questions to be submitted as a formal request for information to the Architect of Record.

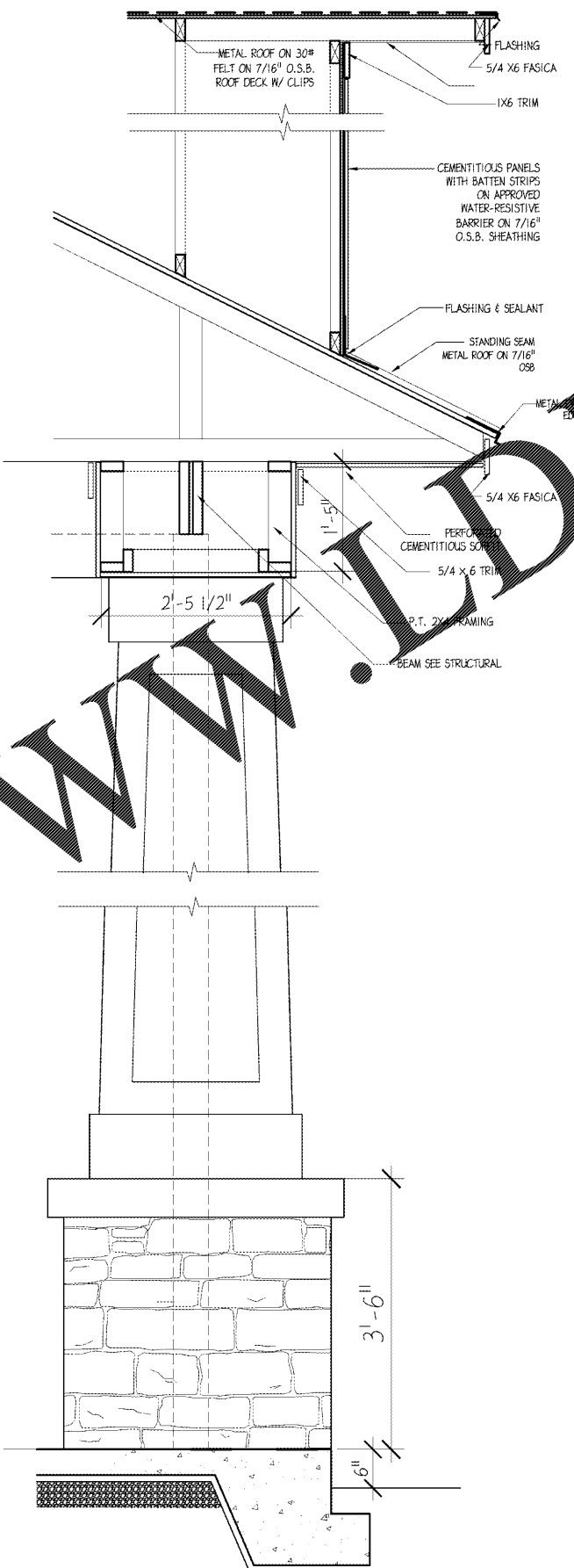
ALEXANDRIA
 AN APARTMENT COMMUNITY
 FOR
Bobo Family Group
 HUNTSVILLE, ALABAMA

JOB NUMBER:
DRAWN BY:
CHECKED BY:
 LEASING OFFICE
 WALL SECTIONS
SHEET NO.

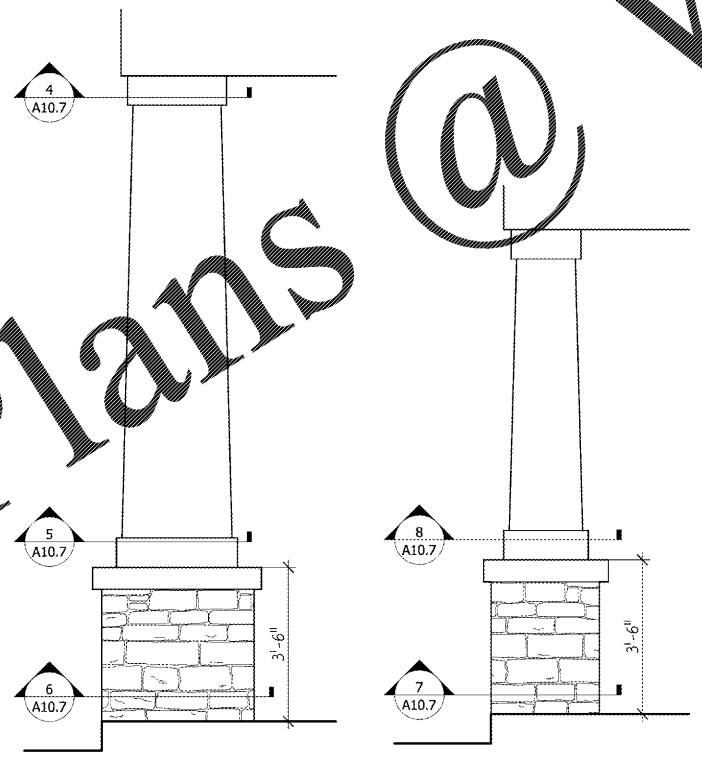
A10.9



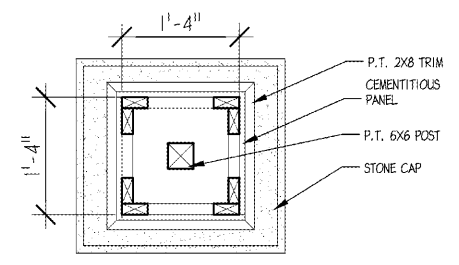
1 WALL SECTIONS
 SCALE: 1" = 1'-0"



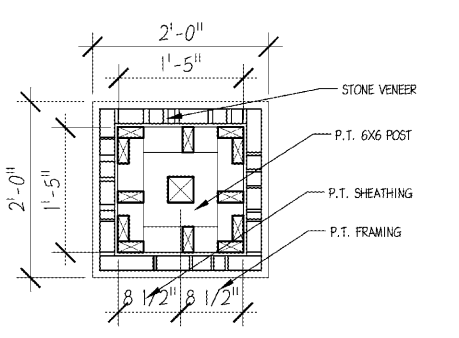
2 WALL SECTIONS
 SCALE: 1" = 1'-0"



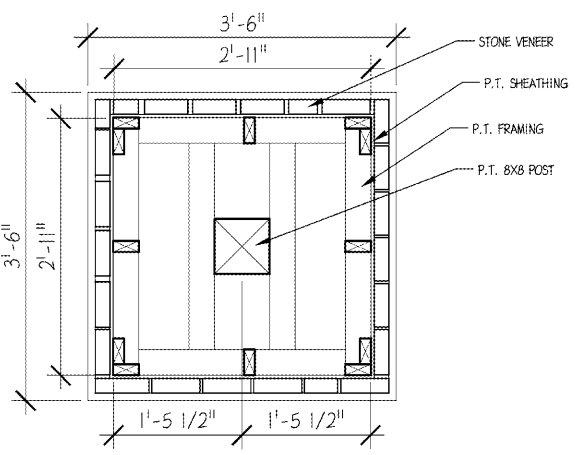
3 COLUMN ELEVATIONS
 SCALE: 1/2" = 1'-0"



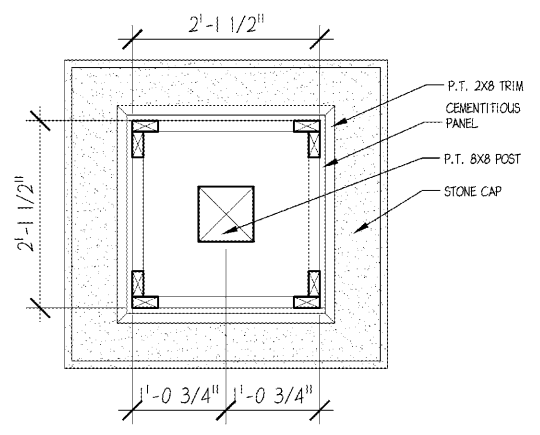
8 COLUMN SECTION
 SCALE: 1" = 1'-0"



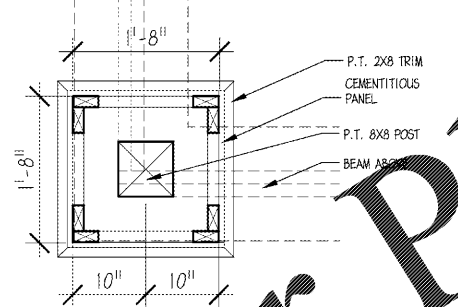
7 COLUMN SECTION
 SCALE: 1" = 1'-0"



6 COLUMN SECTION
 SCALE: 1" = 1'-0"



5 COLUMN SECTION
 SCALE: 1" = 1'-0"



4 COLUMN SECTION
 SCALE: 1" = 1'-0"

Order Plans @

WWW.LDLine.com