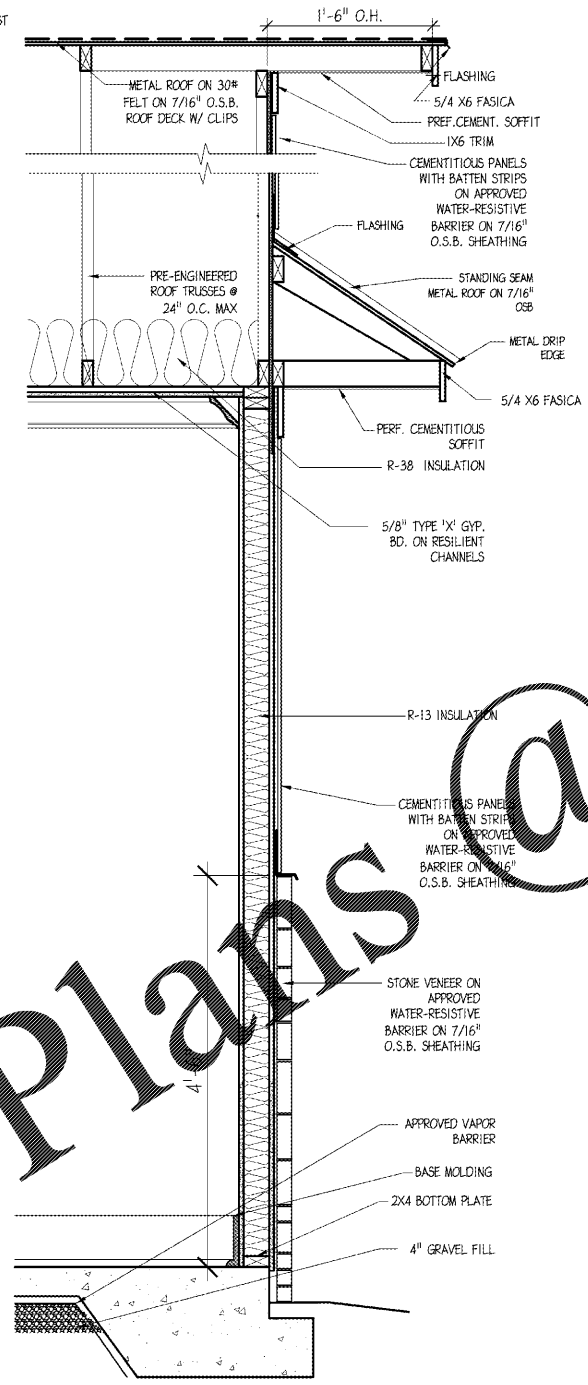
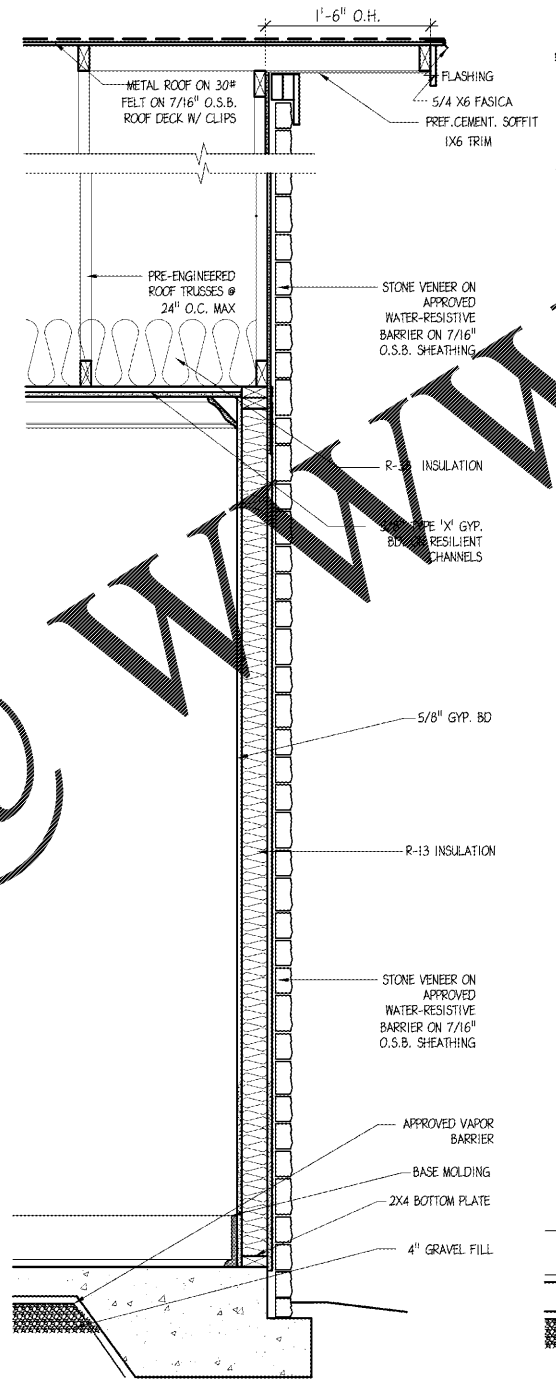


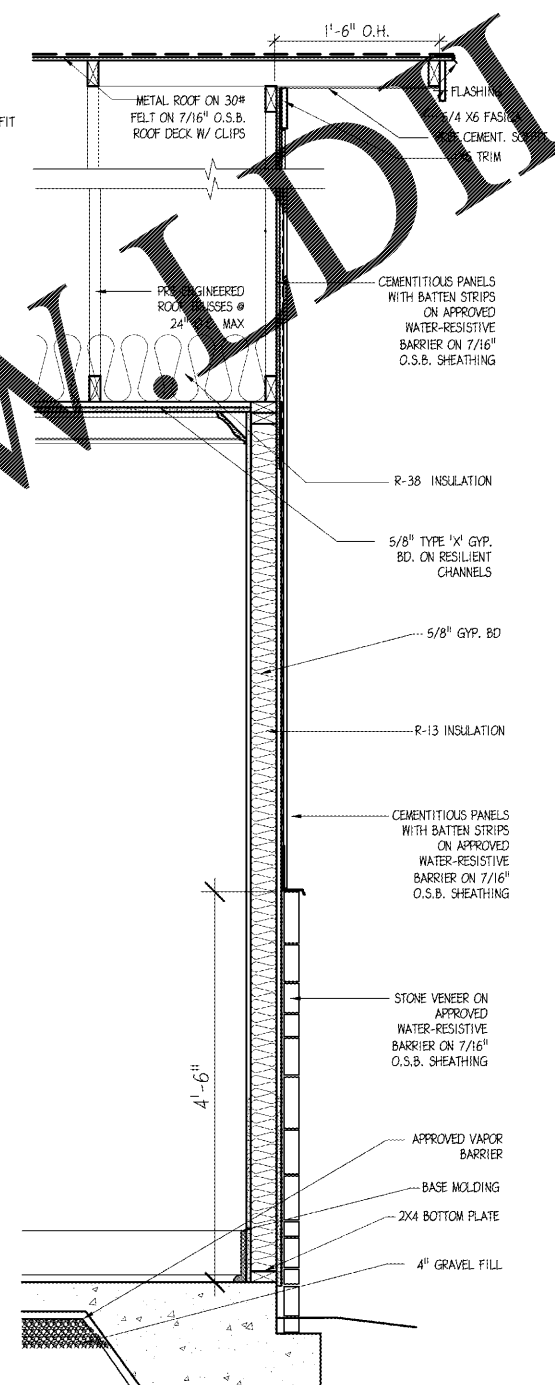
6 COLUMN DETAIL
SCALE: 3" = 1'-0"



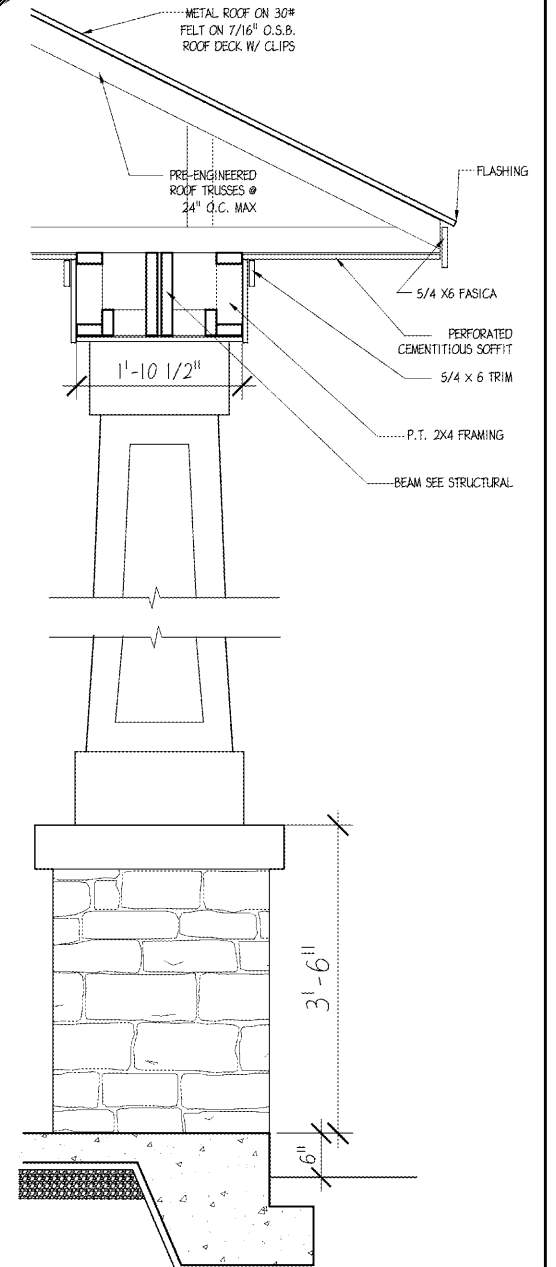
4 WALL SECTIONS
SCALE: 1" = 1'-0"



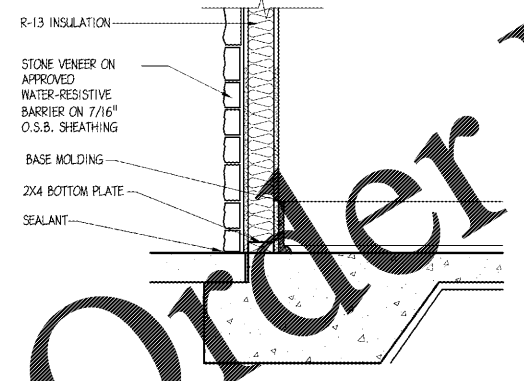
3 WALL SECTIONS
SCALE: 1" = 1'-0"



2 WALL SECTIONS
SCALE: 1" = 1'-0"



1 WALL SECTIONS
SCALE: 1" = 1'-0"



5 WALL SECTIONS
SCALE: 1" = 1'-0"

NOTE:
ALL EXPOSED EXTERIOR WOOD MEMBERS INCLUDING FRAMING, DECKING, & RAILING SYSTEM SHALL BE PRESSURE TREATED WOOD

TRIM NOTE
ALL WINDOW & DOOR TRIM, DECORATIVE BANDS, COLUMN & COLUMN TRIM, RAKE TRIM, CORNER TRIM & SIDING (HORIZONTAL & VERTICAL) TO BE CEMENTITIOUS

STRUCTURAL NOTE
REFER TO STRUCTURAL PLANS FOR ALL FRAMING PLANS AND SCHEDULES



ENGLISH & ASSOCIATES ARCHITECTS, INC.
3084 MERCER UNIVERSITY DRIVE, SUITE 100
ATLANTA, GEORGIA 30341
DENGGLISH@ENGLISHASSOCIATESINC.COM

JOB PROGRESS:

ITEM: DATE:

REVISIONS:

TAG: DATE:

This drawing, as an instrument of service, is and shall remain the property of the Architect of Record and shall not be published, reproduced or used in any way without the written permission of the Architect of Record. DO NOT scale this drawing. All questions to be submitted as a formal request for information to the Architect of Record.

ALEXANDRIA
AN APARTMENT COMMUNITY
FOR
Bobo Family Group
HUNTSVILLE, ALABAMA

JOB NUMBER:

DRAWN BY:

CHECKED BY:

LEASING OFFICE WALL SECTIONS

SHEET NO.

A10.8