

ENGLISH & ASSOCIATES ARCHITECTS, INC.
 3084 MERCER UNIVERSITY DRIVE, SUITE 100
 ATLANTA, GEORGIA 30341
 DENGGLISH@ENGLISHASSOCIATESINC.COM

JOB PROGRESS:
 ITEM: DATE:

REVISIONS:
 TAG: DATE:

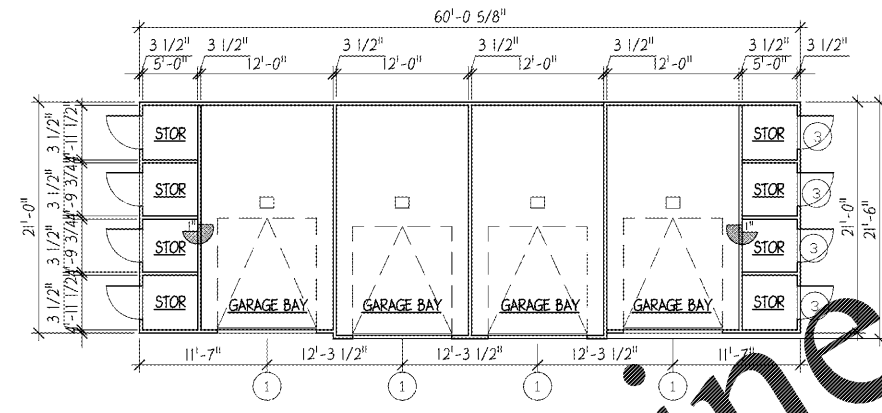
This drawing, as an instrument of service, is and shall remain the property of the Architect of Record and shall not be published, reproduced or used in any way without the written permission of the Architect of Record. DO NOT scale this drawing. All questions to be submitted as a formal request for information to the Architect of Record.

ALEXANDRIA
 AN APARTMENT COMMUNITY
 FOR
Bobo Family Group
 HUNTSVILLE, ALABAMA

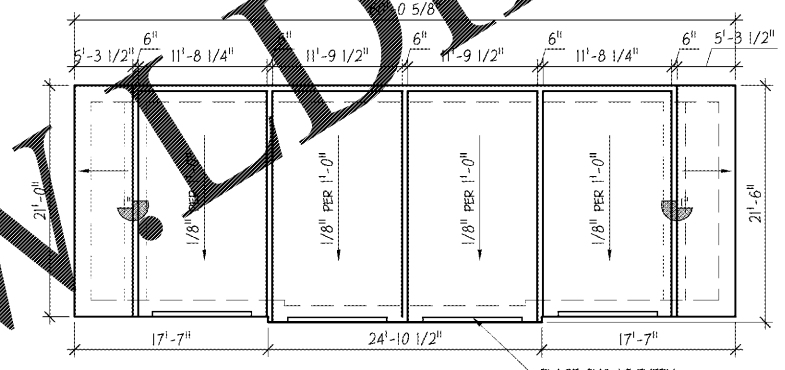
JOB NUMBER:
DRAWN BY:
CHECKED BY:

4 BAY GARAGE
 PLANS & DETAILS
 SHEET NO.

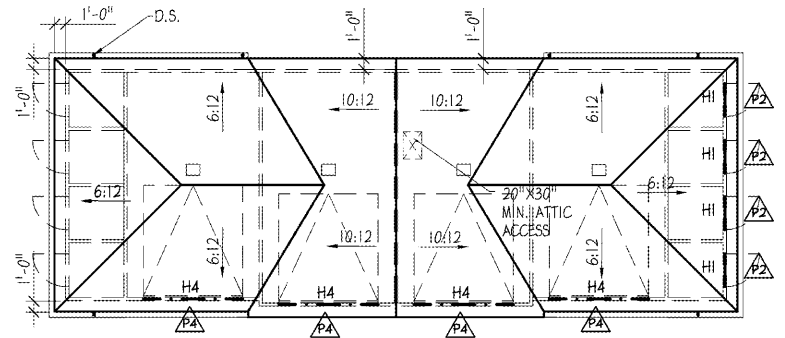
A9.2



4 BAY GARAGE - FLOOR PLAN
 SCALE: 1/8" = 1'-0"



4 BAY GARAGE - FOUNDATION PLAN
 SCALE: 1/8" = 1'-0"



4 BAY GARAGE - ROOF PLAN
 SCALE: 1/8" = 1'-0"

DOOR SCHEDULE:

NO.	SIZE	DESCRIPTION
1.	8'-0" W. X 7'-0" H.	RESIDENTIAL METAL ROLL UP GAR. DOOR
2.	10'-0" W. X 7'-0" H.	H/C RESIDENTIAL METAL ROLL UP GAR. DOOR
3.	3'-0" W. X 6'-8" H.	INSULATED METAL DOOR W/ H/C HARDWARE

LEGEND
 DENOTES SHEAR WALL
 SEE STRUCTURAL SHEETS

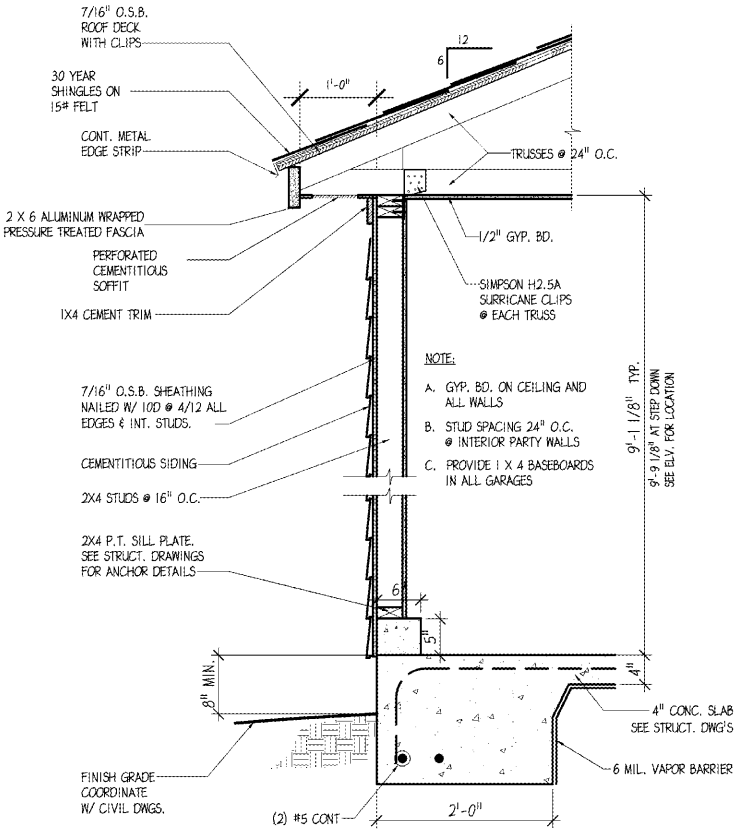
***NOTES:**
 ALIGN ROOF TRUSS ABOVE ALL INTERIOR SEPERATION WALLS

****NOTES:**
 H2.5A @ EACH TRUSS

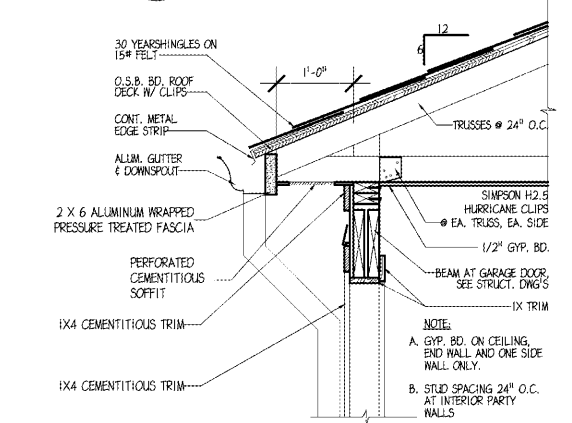
STRUCTURAL NOTE
 REFER TO STRUCTURAL PLANS FOR ALL FRAMING PLANS AND SCHEDULES

TRIM NOTE
 ALL WINDOW & DOOR TRIM, DECORATIVE BANDS, COLUMN & COLUMN TRIM, RAKE TRIM, CORNER TRIM & SIDING (HORIZONTAL & VERTICAL) TO BE CEMENTITIOUS

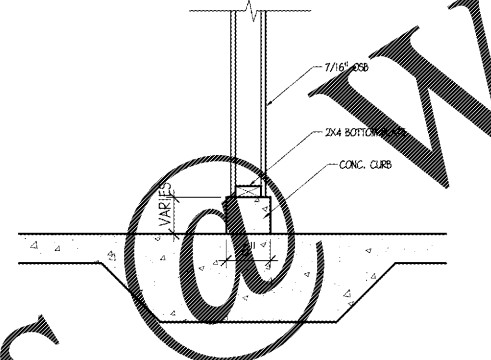
GENERAL NOTE
 6" GUTTER SYSTEM WITH 4"X5" DOWNSPOUTS AND SPLASH BLOCKS



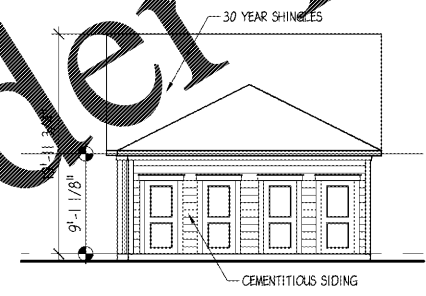
WALL SECTION
 SCALE: 1/8" = 1'-0"



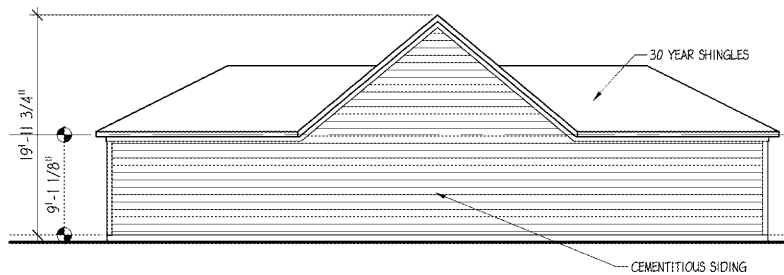
WALL SECTION
 SCALE: 1/8" = 1'-0"



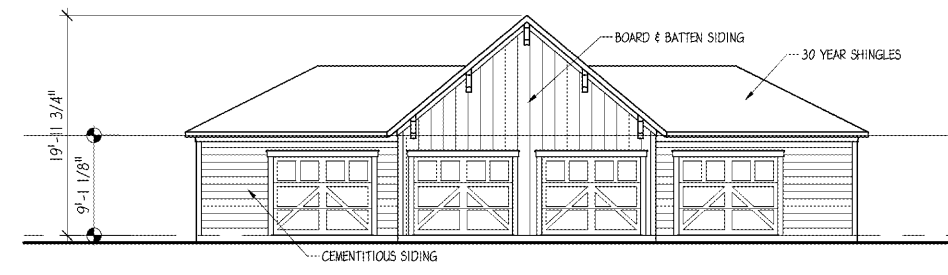
WALL SECTION
 SCALE: 1/8" = 1'-0"



SIDE ELEVATION
 SCALE: 1/8" = 1'-0"



REAR ELEVATION
 SCALE: 1/8" = 1'-0"



FRONT ELEVATION
 SCALE: 1/8" = 1'-0"

Order Plans @ WWW.DLine.com