

ENGLISH & ASSOCIATES ARCHITECTS, INC.
 3084 MERCER UNIVERSITY DRIVE, SUITE 100
 ATLANTA, GEORGIA 30341
 DENGGLISH@ENGLISHASSOCIATESINC.COM

JOB PROGRESS:
 ITEM: DATE:

REVISIONS:
 TAG: DATE:

This drawing, as an instrument of service, is and shall remain the property of the Architect of Record and shall not be published, reproduced or used in any way without the written permission of the Architect of Record. DO NOT scale this drawing. All questions to be submitted as a formal request for information to the Architect of Record.

ALEXANDRIA
 AN APARTMENT COMMUNITY
 FOR
Bobo Family Group
 HUNTSVILLE, ALABAMA

JOB NUMBER:

DRAWN BY:

CHECKED BY:

MAINT./CARWASH
 PLANS & DETAILS
 SHEET NO.

A9.1

DOOR SCHEDULE:

| NO. | SIZE | DESCRIPTION |
|-----|----------------------|-----------------------------------------|
| 1. | 8'-0" W. X 7'-0" H. | RESIDENTIAL METAL ROLL UP GAR. DOOR |
| 2. | 10'-0" W. X 7'-0" H. | H/C RESIDENTIAL METAL ROLL UP GAR. DOOR |
| 3. | 3'-0" W. X 6'-8" H. | INSULATED METAL DOOR W/ H/C HARDWARE |

LEGEND
 --- DENOTES SHEAR WALL
 - - - - - SEE STRUCTURAL SHEETS

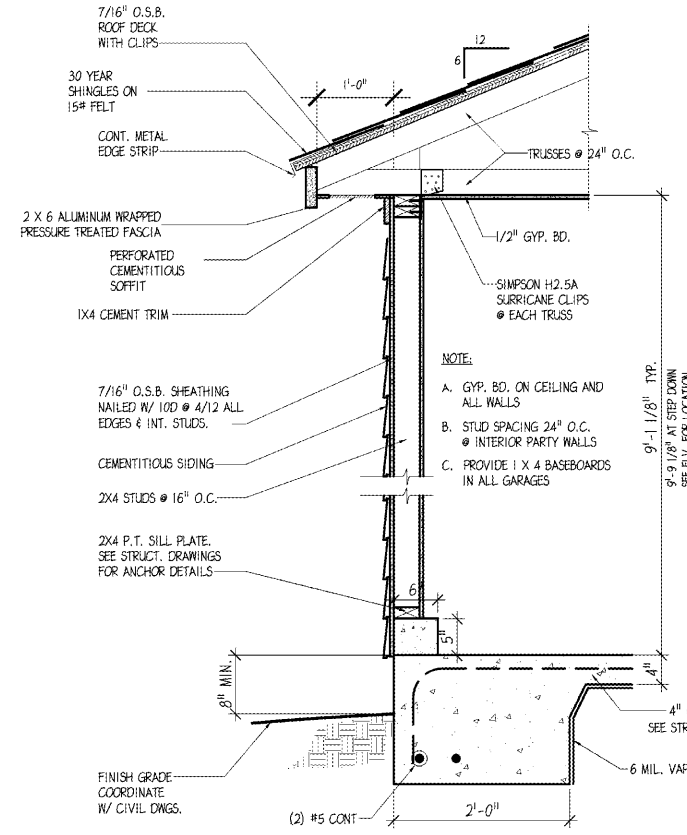
***NOTES:**
 ALIGN ROOF TRUSS ABOVE ALL INTERIOR SEPERATION WALLS

****NOTES:**
 H2.5A @ EACH TRUSS

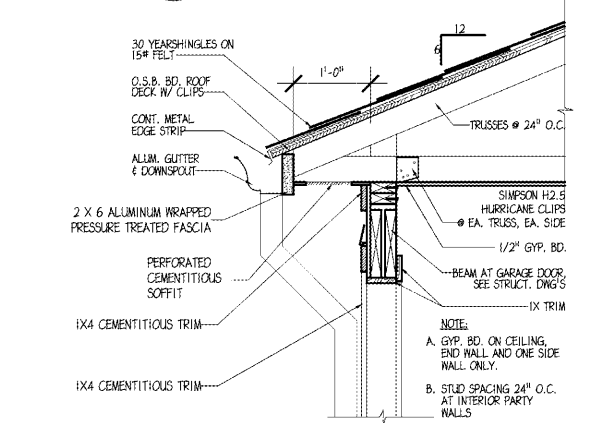
STRUCTURAL NOTE
 REFER TO STRUCTURAL PLANS FOR ALL FRAMING PLANS AND SCHEDULES

TRIM NOTE
 ALL WINDOW & DOOR TRIM, DECORATIVE BANDS, COLUMN & COLUMN TRIM, RAKE TRIM, CORNER TRIM & SIDING (HORIZONTAL & VERTICAL) TO BE CEMENTITIOUS

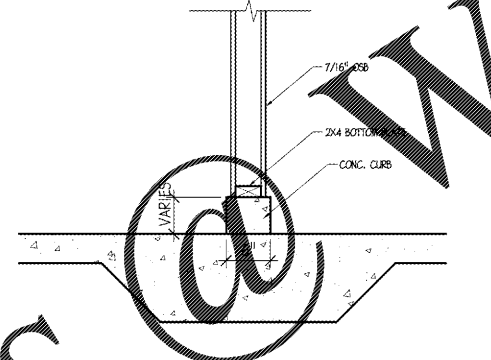
GENERAL NOTE
 6" GUTTER SYSTEM WITH 4" X 5" DOWNSPOUTS AND SPLASH BLOCKS



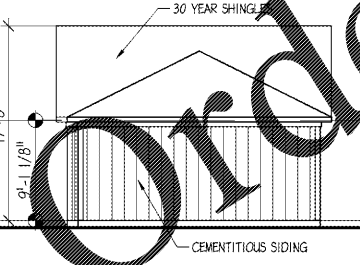
6.1 WALL SECTION
 SCALE: 1/8" = 1'-0"



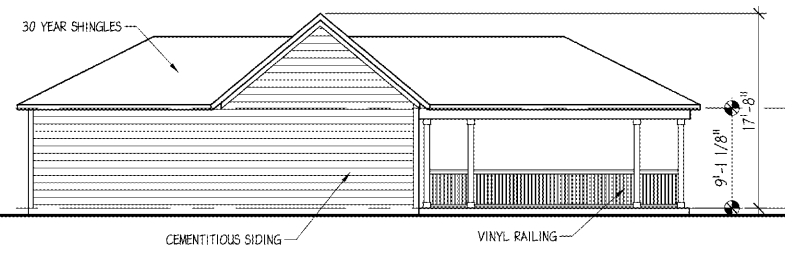
7.1 WALL SECTION
 SCALE: 1/8" = 1'-0"



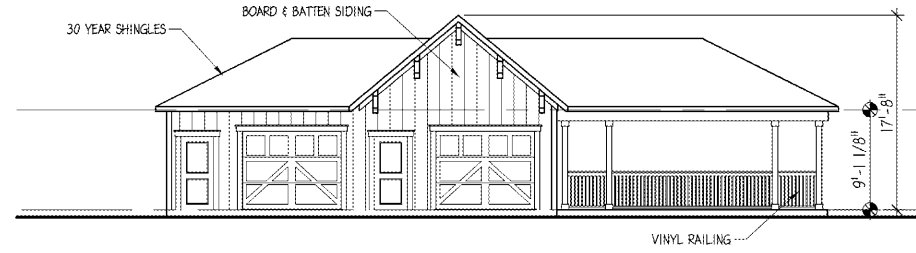
8.1 WALL SECTION
 SCALE: 1/8" = 1'-0"



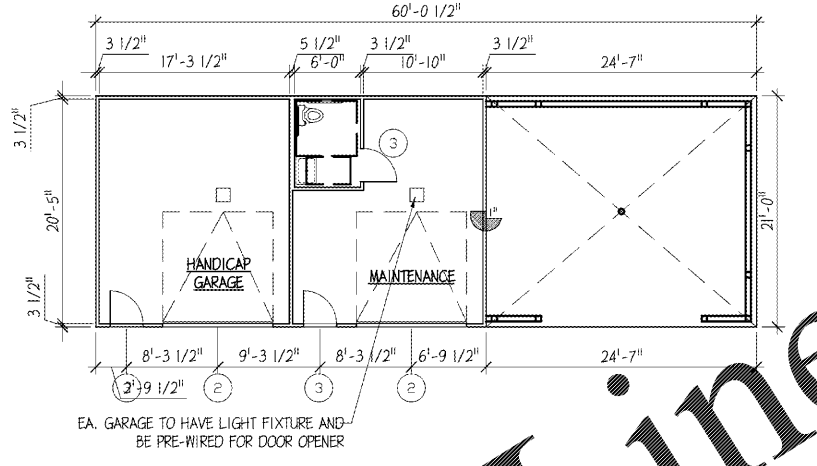
5.1 SIDE ELEVATION
 SCALE: 1/8" = 1'-0"



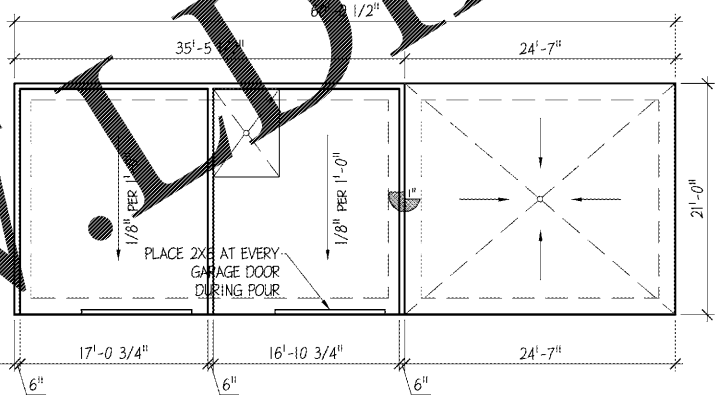
5.1 REAR ELEVATION
 SCALE: 1/8" = 1'-0"



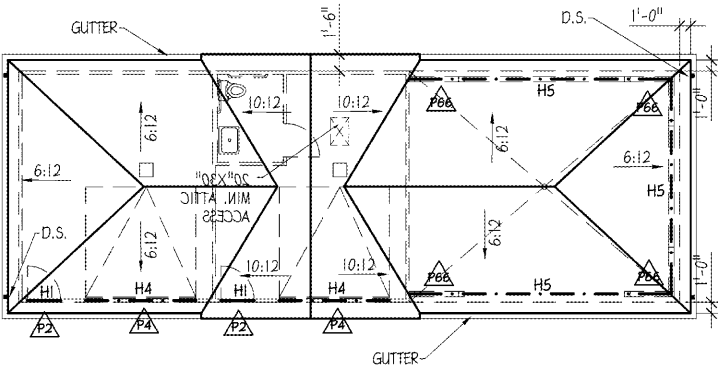
4.1 FRONT ELEVATION
 SCALE: 1/8" = 1'-0"



9.1 H/C - GARAGE - FLOOR PLAN
 SCALE: 1/8" = 1'-0"



2.1 H/C - GARAGE - FOUNDATION PLAN
 SCALE: 1/8" = 1'-0"



3.1 H/C - GARAGE - ROOF PLAN
 SCALE: 1/8" = 1'-0"