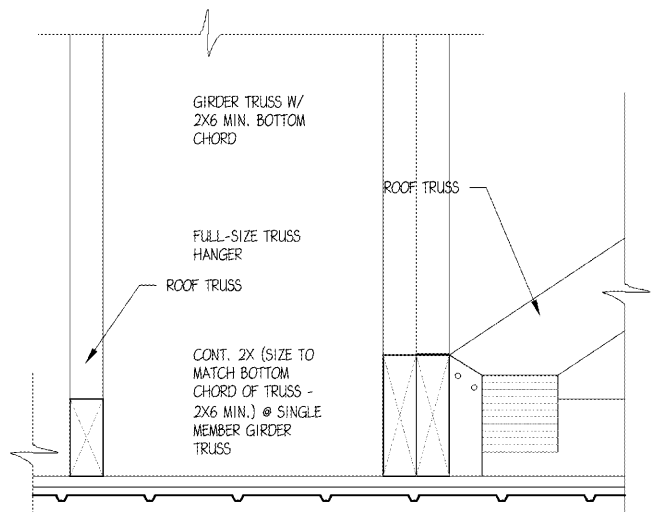
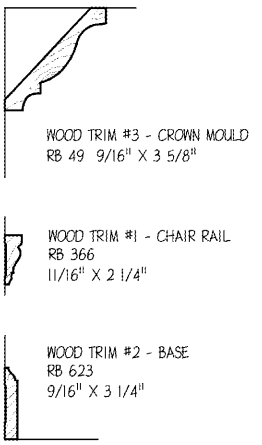


18 PARTY WALL DETAIL
A8.7 SCALE: 1"=1'-0" INTER. NON-RATED WALL
● 1 HR FIRE PARTITION



4 ROOF TRUSS / GIRDER TRUSS DETAIL
A8.7 SCALE: 3"=1'-0"

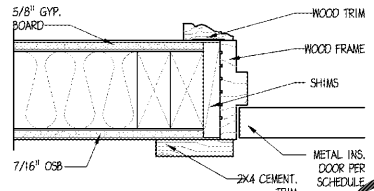


8 TRIM DETAILS
A8.7 SCALE: 3"=1'-0"

GENERAL NOTE
INSULATING MATERIALS INSTALLED SHALL HAVE A FLAME SPREAD INDEX OF NOT MORE THAN 25 AND A SMOKE-DEVELOPED INDEX OF 450 FOR EXPOSED CONDITIONS AND PIPE INSULATION WHEN TESTED IN ACCORDANCE WITH ASTM E 84. MATERIALS WITH PLENUMS SHALL BE NON-COMBUSTIBLE OR SHALL HAVE A FLAME SPREAD INDEX OF NOT MORE THAN 25 AND A SMOKE-DEVELOPED INDEX OF NOT MORE THAN 50 WHEN TESTED IN ACCORDANCE WITH ASTM E 84

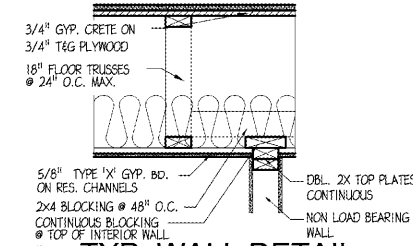
STRUCTURAL NOTE
SEE STRUCTURAL SHEETS FOR DETAILS AND SCHEDULES

NOTE:
ALL EXPOSED EXTERIOR WOOD MEMBERS INCLUDING FRAMING, DECKING, & RAILING SYSTEM SHALL BE PRESSURE TREATED WOOD

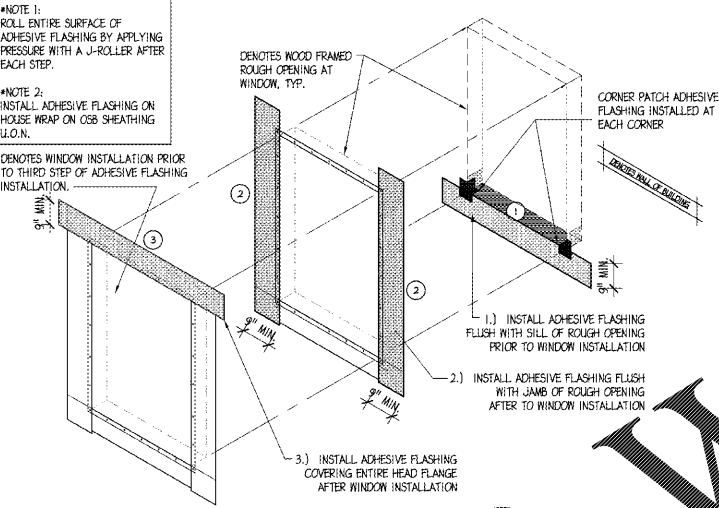


9 EXTERIOR DOOR JAMB DETAIL
A8.7 SCALE: 3"=1'-0"

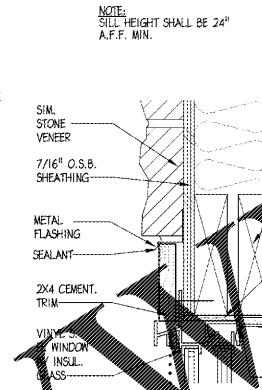
19 NOT USED
A8.7 SCALE: 1"=1'-0" INTER. NON-RATED WALL
● 2 HR FIRE PARTITION



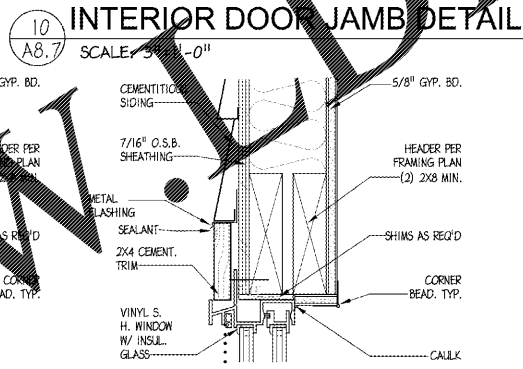
20 TYP. WALL DETAIL
A8.7 SCALE: 1"=1'-0" INTER. NON-RATED WALL
● FLOOR/CEILING ASSEMBLY



5 ADHESIVE FLASHING INSTALL METHOD
A8.7 SCALE: N.T.S.

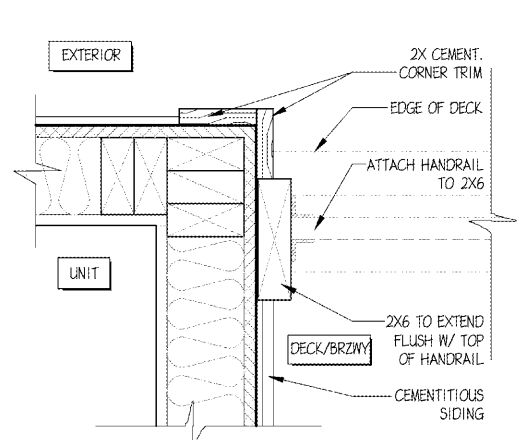


11 WINDOW HEAD TYPICAL
A8.7 SCALE: 3"=1'-0"

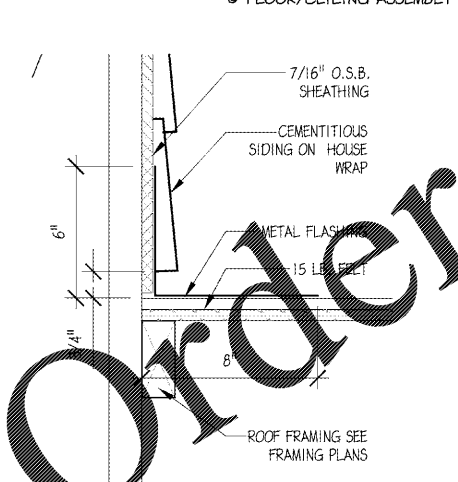


10 INTERIOR DOOR JAMB DETAIL
A8.7 SCALE: 3"=1'-0"

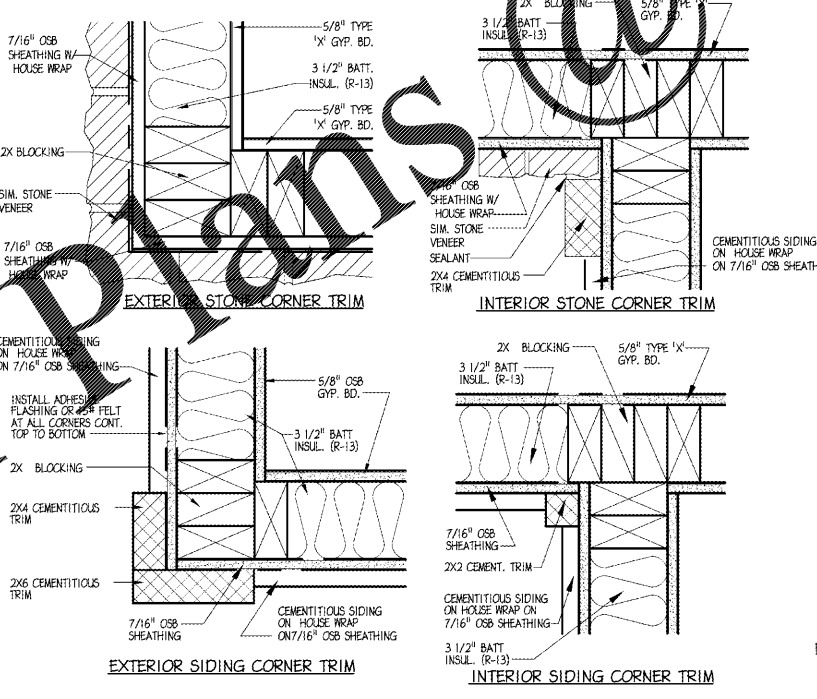
14 SPRINKLER PIPE INSULATION
A8.7 SCALE: 1 1/2"=1'-0"



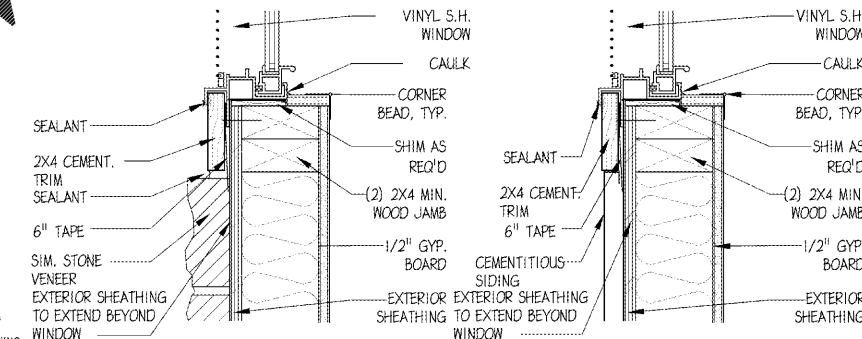
21 TYP. WALL DETAIL
A8.7 SCALE: 1"=1'-0" EXT. FIRE RATED WALL
● FLOOR/CEILING ASSEMBLY



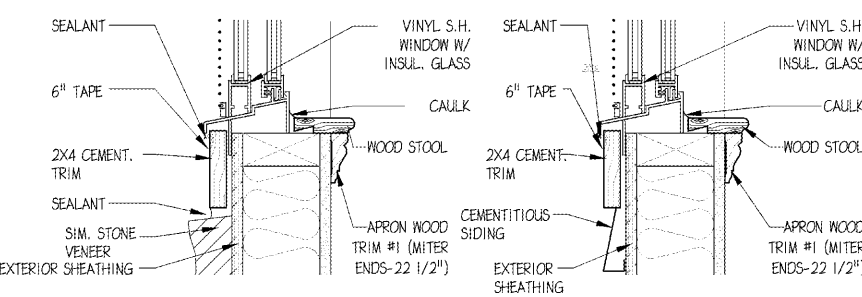
2 ROOF FLASHING DETAIL
A8.7 SCALE: 3"=1'-0"



6 CORNER TRIM INSTALL METHODS
A8.7 SCALE: 1"=1-1/2" ● ALL INTERIOR AND EXTERIOR TYPES

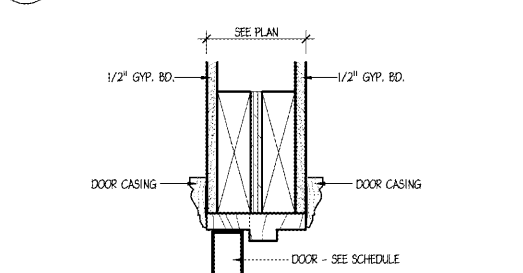


12 WINDOW JAMB TYPICAL
A8.7 SCALE: 3"=1'-0"

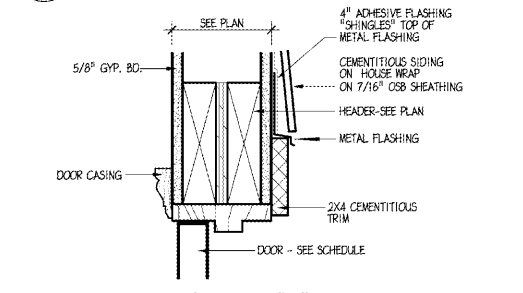


13 WINDOW SILL TYPICAL
A8.7 SCALE: 3"=1'-0"

15 SIDING TERMINATION DETAIL
A8.7 SCALE: 3"=1'-0"



16 INTERIOR DOOR JAMB DETAIL
A8.7 SCALE: 3"=1'-0"



17 EXTERIOR DOOR HEAD DETAIL
A8.7 SCALE: 3"=1'-0"



ENGLISH & ASSOCIATES ARCHITECTS, INC.
3084 MERCER UNIVERSITY DRIVE, SUITE 100
ATLANTA, GEORGIA 30341
DENGGLISH@ENGLISHASSOCIATESINC.COM

JOB PROGRESS:
ITEM: DATE:

REVISIONS:
TAG: DATE:

This drawing, as an instrument of service, is and shall remain the property of the Architect of Record and shall not be published, reproduced or used in any way without the written permission of the Architect of Record. DO NOT scale this drawing. All questions to be submitted as a formal request for information to the Architect of Record.

ALEXANDRIA AN APARTMENT COMMUNITY FOR Bobo Family Group HUNTSVILLE, ALABAMA

JOB NUMBER:
DRAWN BY:
CHECKED BY:
MISC. DETAILS
SHEET NO.

A8.7