



ENGLISH & ASSOCIATES ARCHITECTS, INC.
 3084 MERCER UNIVERSITY DRIVE, SUITE 100
 ATLANTA, GEORGIA 30341
 DENGGLISH@ENGLISHASSOCIATESINC.COM

JOB PROGRESS:
 ITEM: DATE:

REVISIONS:
 TAG: DATE:

This drawing, as an instrument of service, is and shall remain the property of the Architect. It and its contents shall not be published, reproduced or used in any way without the written permission of the Architect of Record. DO NOT scale this drawing. All questions to be submitted as a formal request for information to the Architect of Record.

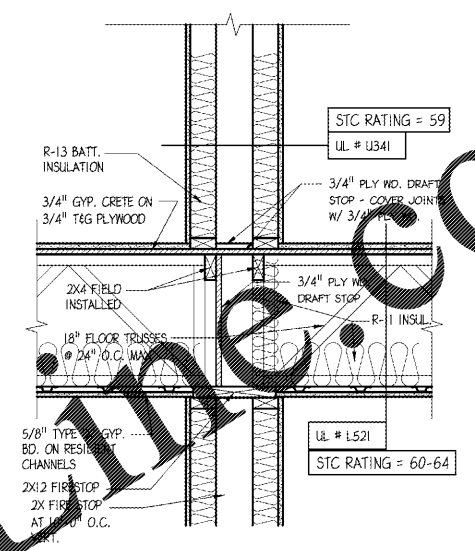
ALEXANDRIA
 AN APARTMENT COMMUNITY
 FOR
Bobo Family Group
 HUNTSVILLE, ALABAMA

JOB NUMBER:
DRAWN BY:
CHECKED BY:

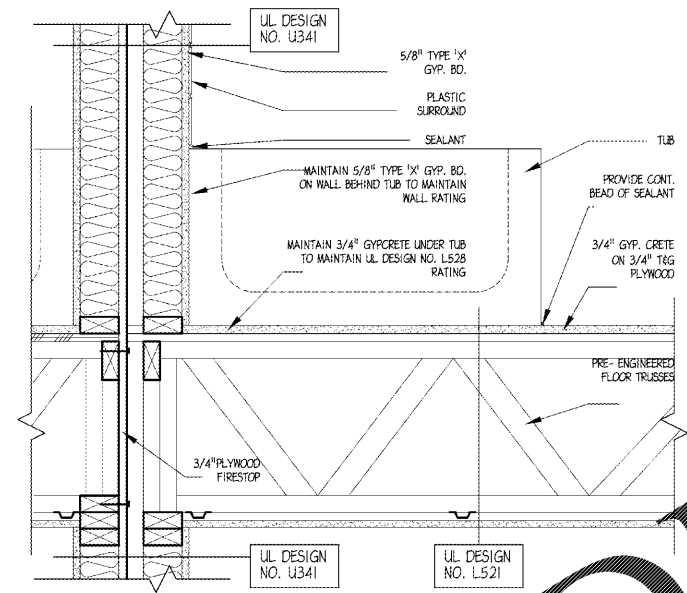
TYPICAL WALL SECTIONS

SHEET NO.

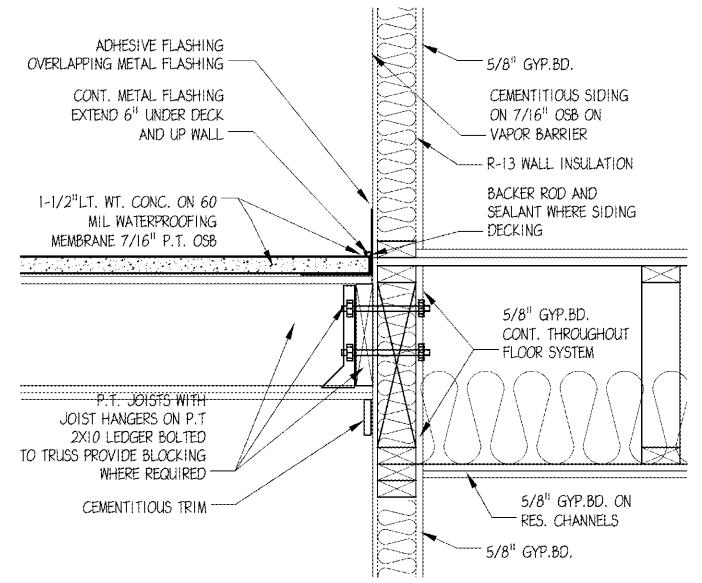
A8.3



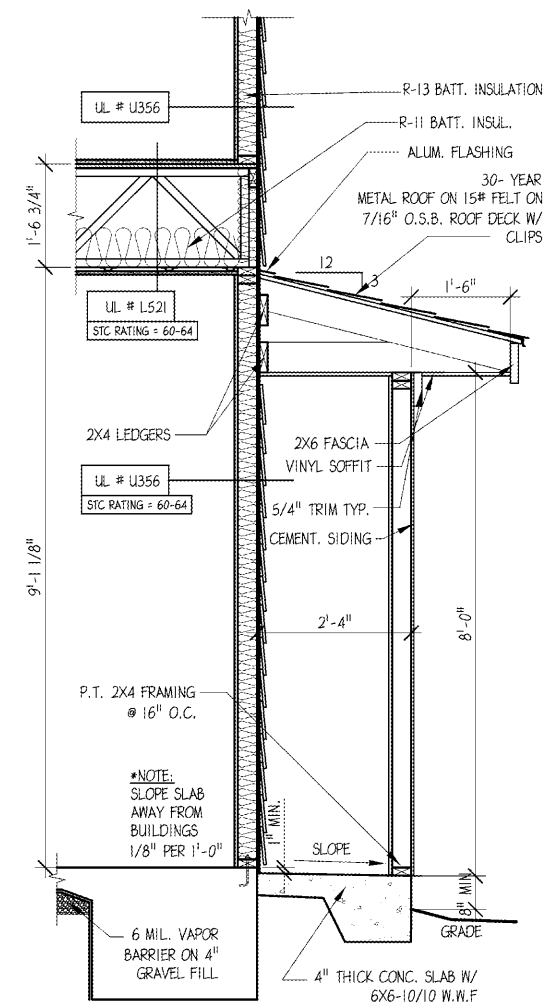
2 WALL SECTION
 A8.3 SCALE: 1" = 1'-0"



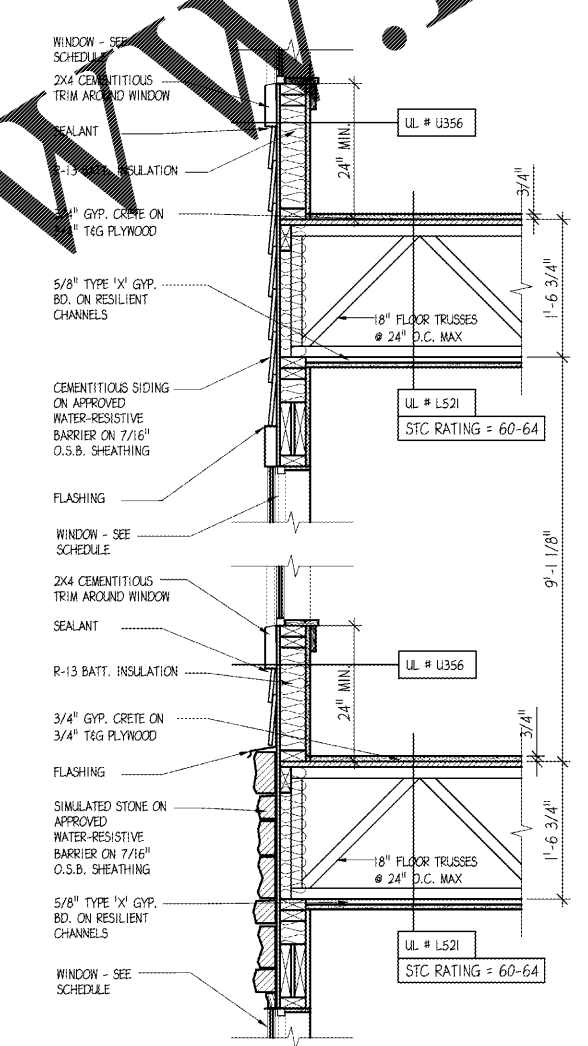
3 WALL SECTION
 A8.3 SCALE: 1" = 1'-0"



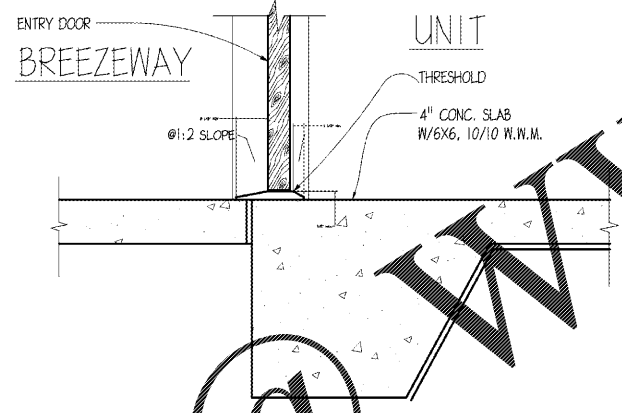
5 WALL SECTION
 A8.3 SCALE: 1-1/2" = 1'-0"



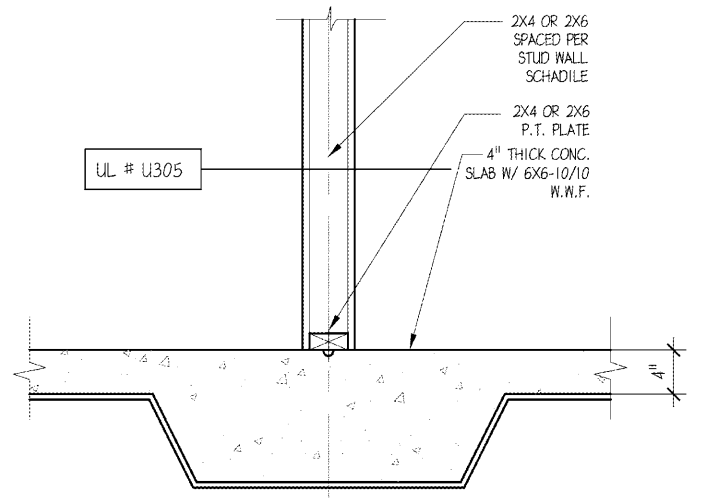
1 WALL SECTION
 A8.3 SCALE: 3/4" = 1'-0"



4 SILL HEIGHT DETAIL
 A8.3 SCALE: 1" = 1'-0"



7 WALL SECTION
 A8.3 SCALE: 1" = 1'-0"



6 WALL SECTION
 A8.3 SCALE: 1-1/2" = 1'-0"

Order Plans

WWW.LDDIline.com