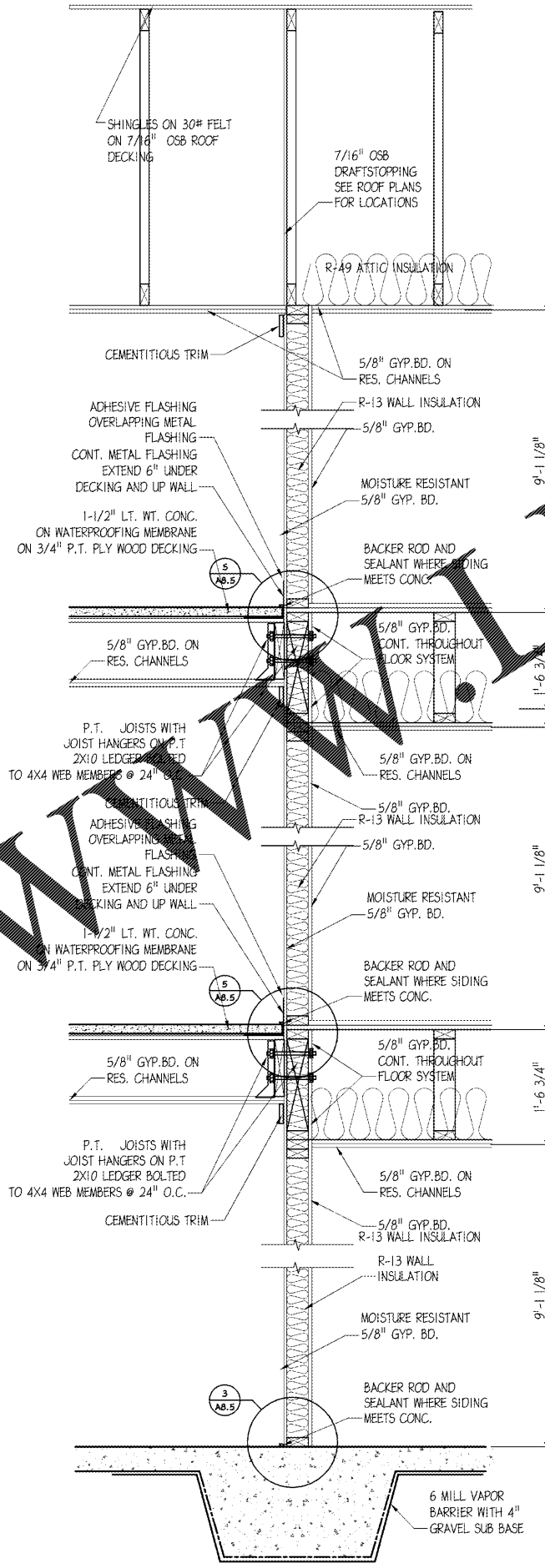
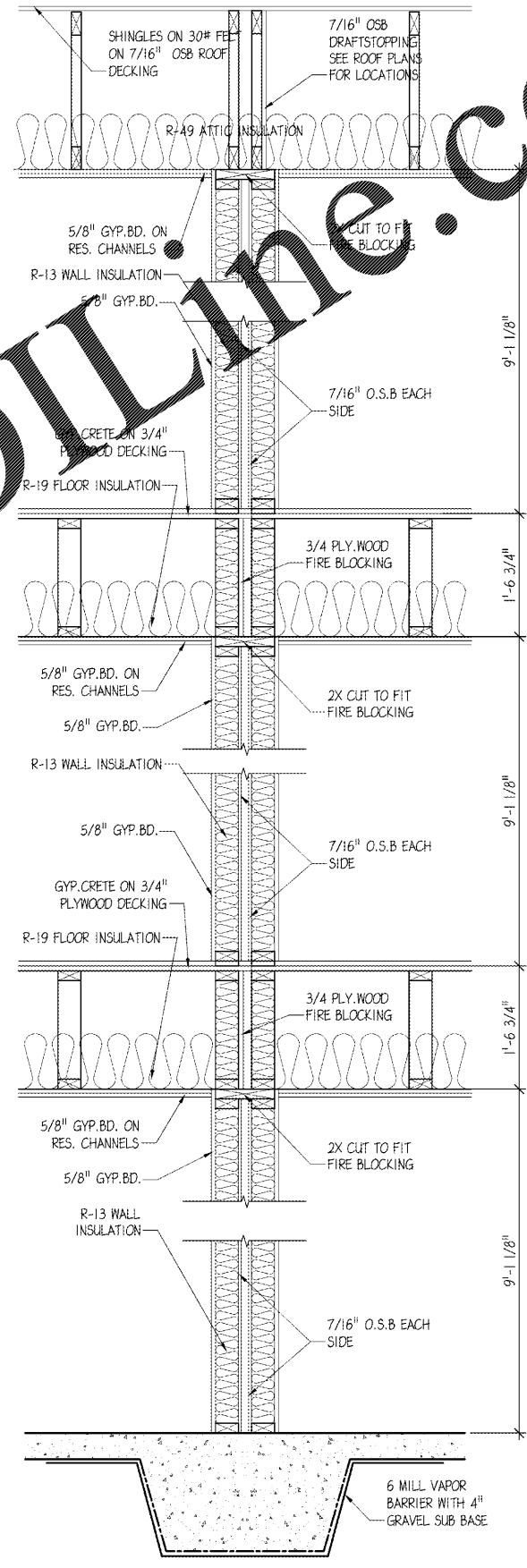


Order Plans @

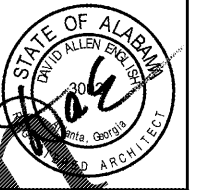
WWW.DIline.com



1 WALL SECTION
A8.4 SCALE: 1" = 1'-0"



2 WALL SECTION
A8.4 SCALE: 1" = 1'-0"



ENGLISH & ASSOCIATES ARCHITECTS, INC.
3084 MERCER UNIVERSITY DRIVE, SUITE 100
ATLANTA, GEORGIA 30341
DENGGLISH@ENGLISHASSOCIATESINC.COM

JOB PROGRESS:
ITEM: DATE:

REVISIONS:
TAG: DATE:

This drawing, as an instrument of service, is and shall remain the property of the Architect of Record and shall not be published, reproduced or used in any way without the written permission of the Architect of Record. DO NOT scale this drawing. All questions to be submitted as a formal request for information to the Architect of Record.

ALEXANDRIA AN APARTMENT COMMUNITY FOR Bobo Family Group HUNTSVILLE, ALABAMA

JOB NUMBER:
DRAWN BY:
CHECKED BY:

TYPICAL WALL SECTIONS

SHEET NO.

A8.2