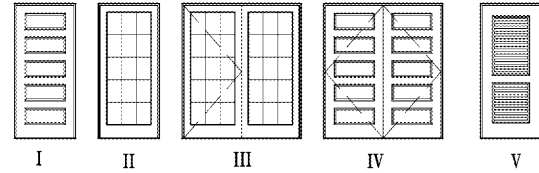


NO.	SIZE	HEIGHT	THICKNESS	TYPE	MATERIAL	FRAME	HARDWARE	FIRE RATING	NOTES	TYPE
1	3'-0"	6'-8"	1 3/4"	5 PANEL INS.	METAL CLAD	WOOD	LOCK SET	20 MIN.	NOTE 4, 6, 7, 8, 10	I
2	3'-0"	6'-8"	1 3/4"	FRENCH	METAL CLAD	WOOD	LOCK SET		NOTE 1, 2, 6, 7, 8	II
3	6'-0"	6'-8"	1 3/4"	FRENCH	METAL CLAD	WOOD	LOCK SET		NOTE 1, 2, 6, 7, 8, 11	III
4	2'-10"	6'-8"	1 3/8"	5 PANEL	HARD BOARD	WOOD	LATCH/PRIVACY		NOTE 3, 7, 9	II
5	2'-8"	6'-8"	1 3/8"	5 PANEL	HARD BOARD	WOOD	LATCH SET		NOTE 3, 7, 9	II
6	2'-6"	6'-8"	1 3/8"	5 PANEL	HARD BOARD	WOOD	LATCH SET		NOTE 3, 5, 7, 9	II
7	2'-4"	6'-8"	1 3/8"	5 PANEL	HARD BOARD	WOOD	LATCH SET		NOTE 7, 9	II
8	2'-0"	6'-8"	1 3/8"	5 PANEL	HARD BOARD	WOOD	LATCH SET		NOTE 7, 9	II
9	1'-6"	6'-8"	1 3/8"	5 PANEL	HARD BOARD	WOOD	LATCH SET		NOTE 7, 9	II
10	2'-6" PR	6'-8"	1 3/8"	5 PANEL	HARD BOARD	WOOD	LATCH SET		NOTE 7, 9	IV
11	2'-0" PR	6'-8"	1 3/8"	5 PANEL	HARD BOARD	WOOD	LATCH SET		NOTE 7, 9	IV
12	2'-6"	6'-8"	1 3/8"	LOUVERED	HARD BOARD	WOOD	LATCH SET		NOTE 5, 7, 9	V

- NOTES:
- TEMPERED GLASS.
  - INSULATED LOW 'E' GLASS.
  - PRIVACY SET AT ALL BATHROOMS.
  - SPRING HINGES (U.L. APPROVED).
  - LOCK SET AT ALL MECHANICAL ROOM DOORS.
  - DOORS W/ H.C. THRESHOLD.
  - HANDICAP APPROVED LEVERED HARDWARE AT ALL GROUND LEVEL UNITS.
  - NO KEY LOCKS ON EGRESS SIDE OF DOOR.
  - INTERIOR DOORS TO BE UNDERCUT 1" ABOVE CARPET.
  - ALL "TYPE I" ENTRY DOORS TO BE FITTED WITH PEEPHOLES.
  - ONE SIDE FIXED DOOR (DOOR #15 ONLY).
  - PRIVACY DOOR LOCKS ON ALL BATHROOMS AND BEDROOMS.



DOOR TYPES

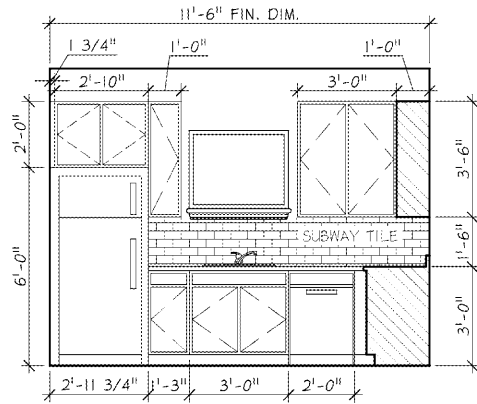
TYPE	SIZE	TYPE	NOTES
A	2'-6" x 5'-0"	VINYL W/THERMAL BREAK, SINGLE HUNG	NOTE 1, 4, 5
B	3'-0" x 5'-0"	VINYL W/THERMAL BREAK, SINGLE HUNG	NOTE 1, 3, 4, 5
C	3'-0" x 5'-0" PAIR	VINYL W/THERMAL BREAK, SINGLE HUNG	NOTE 1, 2, 3, 4, 5
D	2'-4" x 5'-0" TRIPLE	VINYL W/THERMAL BREAK, SINGLE HUNG	NOTE 1, 2, 3, 4, 5
E	3'-0" x 2'-0" FIXED	VINYL W/THERMAL BREAK, SINGLE HUNG	NOTE 1

- NOTES:
- INSULATED LOW 'E' GLASS.
  - MULL TOGETHER AT FACTORY.
  - BOTTOM SASH WHEN IN OPEN POSITION SHALL HAVE A NET OPEN AREA OF 5.7 S.F. IN ACCORDANCE WITH SBCC 1005.7, 1994 EDITION.
  - TEMPERED GLASS REFER FLOOR PLANS (NOTED W/★) FOR LOCATIONS OF WINDOWS W/TEMPERED GLASS.
  - WINDOW SILL SHALL BE 24" A.F.F. MIN. WITH OPENING LIMITING DEVICE.

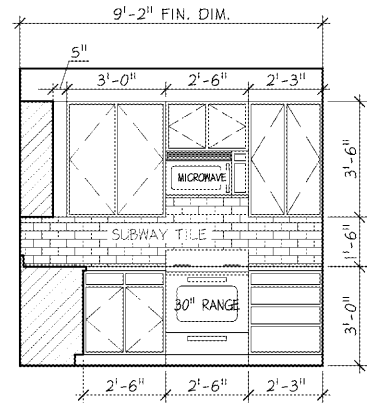
SPACE NAME	FLOOR	BASE	WALLS	CEILING	NOTES
FOYER	VINYL PLANK	WOOD	PAINTED G.B.	KNOCK-DOWN	• TYP. ALL UNITS
COATS	VINYL PLANK	WOOD	PAINTED G.B.	KNOCK-DOWN	• TYP. ALL UNITS
KITCHEN	VINYL PLANK	WOOD	PAINTED G.B.	KNOCK-DOWN	• TYP. ALL UNITS
PANTRY	VINYL PLANK	WOOD	PAINTED G.B.	KNOCK-DOWN	SEE SURROUNDING AREA
LAUNDRY	VINYL PLANK	WOOD	PAINTED G.B.	KNOCK-DOWN	• TYP. ALL UNITS
LIVING	CARPET	WOOD	PAINTED G.B.	KNOCK-DOWN	TYP. ALL UNITS
DINING	CARPET	WOOD	PAINTED G.B.	KNOCK-DOWN	TYP. ALL UNITS
BEDROOM	CARPET	WOOD	PAINTED G.B.	KNOCK-DOWN	TYP. ALL UNITS
CLOSET	CARPET	WOOD	PAINTED G.B.	KNOCK-DOWN	TYP. ALL UNITS
LINEN	CARPET/VINYL	WOOD	PAINTED G.B.	KNOCK-DOWN	SEE SURROUNDING AREA
BATH	VINYL PLANK	WOOD	PAINTED G.B.	KNOCK-DOWN	• TYP. ALL UNITS
MECHANICAL	GYP. CRETE	NONE	TAPED G.B.	TAPED G.B.	CONC. ON GROUND FLR.

\* ACCUSTOMAT UNDER THE LVT SURFACES ON 2ND AND 3RD FLOOR

NOTE:  
ALL GLAZING IN DOORS AND WINDOWS:  
U VALUE SHALL BE 0.35 OR LESS  
SHGC SHALL BE 0.30 OR LESS  
10 YEAR WARRANTY ON INSUL. GLAZING



2 KIT. ELEV.  
A1.3 SCALE 3/8" = 1'-0"



3 KIT. ELEV.  
A1.3 SCALE 3/8" = 1'-0"

GENERAL NOTES:

- ALL EXTERIOR WALLS, PARTY WALLS AND INTERIOR LOAD BEARING WALLS TO BE ONE-HOUR RATED.
- ALL UNITS TO BE SPRINKLERED IN ACCORDANCE WITH NFPA. CONTRACTOR TO PROVIDE SHOP DRAWINGS FOR APPROVAL BY ARCHITECT AND FIRE MARSHAL.
- PROVIDE 2A10BC FIRE EXTINGUISHER AT EACH UNIT.

STRUCTURAL NOTE:

REFER TO STRUCTURAL PLANS FOR ALL BEARING WALLS AND SCHEDULES

SHOWER ROD NOTE:

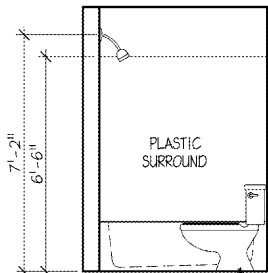
ALL BATHROOMS TO HAVE CURVED SHOWER ROD. PROVIDE BLOCKING IN WALLS FOR MOUNTING OF CURVED SHOWER ROD

DECK RAILING NOTE:

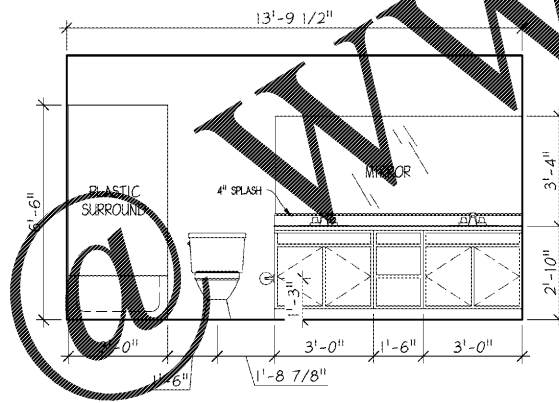
ALL RAILING SHALL MEET THE LOADING REQUIREMENTS OF THE IBC. PROVIDE STAMPED SHOP DRAWINGS AND FIELD TESTING TO SHOW COMPLIANCE

GENERAL NOTE:

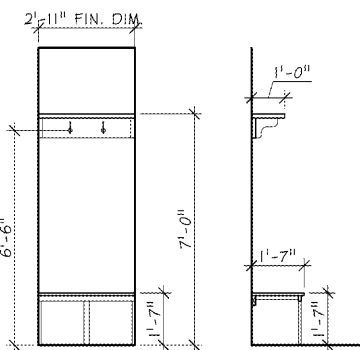
ALL GROUND FLOOR UNITS MUST BE CONSTRUCTED PER THE FAIR HOUSING ACT



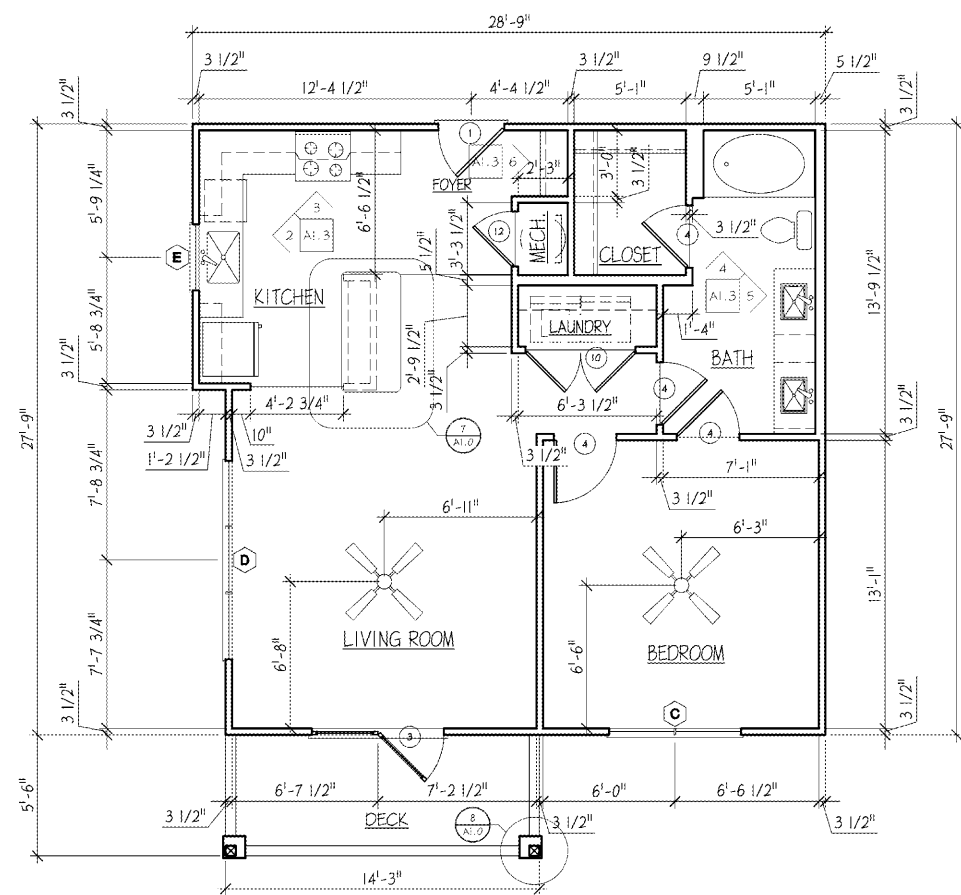
4 BATH ELEV.  
A1.3 SCALE 3/8" = 1'-0"



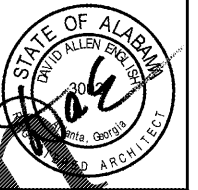
5 BATH ELEV.  
A1.3 SCALE 3/8" = 1'-0"



6 COAT ELEV.  
A1.3 SCALE 3/8" = 1'-0"



1 UNIT A4 - FLOOR PLAN  
A1.3 SCALE 1/4" = 1'-0"



ENGLISH & ASSOCIATES  
ARCHITECTS, INC.

3084 MERCER UNIVERSITY DRIVE, SUITE 100  
ATLANTA, GEORGIA 30341  
DENGGLISH@ENGLISHASSOCIATESINC.COM

JOB PROGRESS:

ITEM: DATE:

REVISIONS:

TAG: DATE:

This drawing, as an instrument of service, is and shall remain the property of the Architect or Record and shall not be published, reproduced or used in any way without the written permission of the Architect of Record. DO NOT scale this drawing. All questions to be submitted as a formal request for information to the Architect of Record.

ALEXANDRIA  
AN APARTMENT COMMUNITY  
FOR  
Bobo Family Group  
HUNTSVILLE, ALABAMA

JOB NUMBER:

DRAWN BY:

CHECKED BY:

UNIT A4 FLOOR PLAN,  
INT. ELEV. & SCHEDULES

SHEET NO.

A1.3

Order Plans