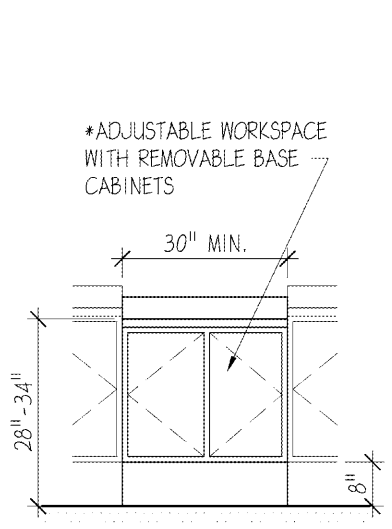


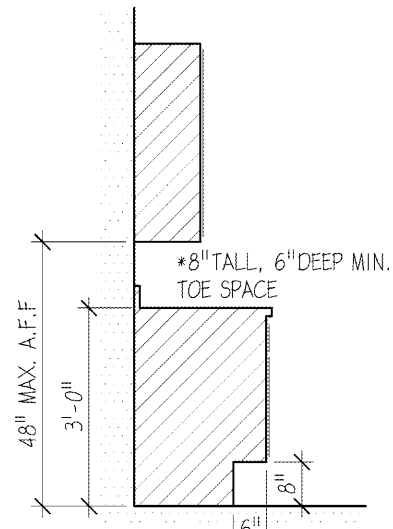
STATE HANDICAP REQUIREMENTS:

NOTE:
 UNITS DESIGNATED AS HANDICAPPED ON SITE PLAN SHALL BE CONSTRUCTED FOR EASE OF FULL HANDICAP ADAPTATION BY PLACING BLOCKING IN WALL FOR GRAB BARS, ETC. AND CABINETS SHALL BE CONSTRUCTED FOR EASE IN ADAPTING 30" HANDICAP WORK COUNTER. FULL HANDICAP ADAPTATION AS DETAILED ON THIS PLAN INCLUDING WORK COUNTER, HANDICAP TOILETS, GRAB BARS, AND HANDICAP VANITY SINKS SHALL BE ACCOMPLISHED ONLY WHEN HANDICAPPED TENANT OCCUPIES UNIT. SEE NOTES A THROUGH M BELOW.

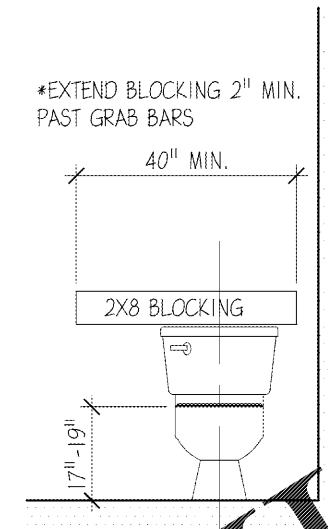
- A** ENTRY DOOR SHALL INCORPORATE ALL THE FOLLOWING FEATURES:
 - THRESHOLD SHALL NOT EXCEED 3/4 IN. IN HEIGHT.
 - DOOR HARDWARE SHALL BE EASY TO GRASP "LEVER" TYPE.
 - MANEUVERING CLEARANCES SHALL COMPLY W/ ANSI A117.1, PARAGRAPH 4.13.
 - ENTRY DOOR WIDTH IS 36 IN., COMPLYING WITH 4.13.
- B** NOT USED
- C** ELECTRICAL AND TEMPERATURE CONTROL DEVICES AND FIXTURES SHALL COMPLY WITH ANSI A117.1, ART. 4.25:
 - SWITCHES, THERMOSTATS AND OTHER CONTROL DEVICES SHALL BE MOUNTED NO HIGHER THAN 48 IN. ABOVE THE FLOOR, NOR LOWER THAN 15 IN. WHEN THE SPACE ALLOWS ONLY A FORWARD APPROACH OR WHERE THERE ARE OBSTACLES SUCH AS KITCHEN OR BATH CABINETS.
 - WHERE THE SPACE ALLOWS UNOBSTRUCTED PARALLEL APPROACH THE LIMITS BECOME: 9 IN. MIN. ABOVE FLOOR AND 54 IN. MAXIMUM.
 - FOR CONTRACTOR'S CONVENIENCE IT IS RECOMMENDED THAT THE 15 IN. MIN. AND 48 IN. MAX. LIMITS BE EMPLOYED THROUGHOUT.
- D** KITCHEN LAYOUTS SHOULD BE MODIFIED IN ACCESSIBLE UNITS ONLY TO COMPLY WITH ANSI A117.1, ART. 4.4.3.3.4, AND SHALL INCLUDE SPECIAL CABINETS WITH REMOVABLE SECTIONS ENLARGED TOE SPACE TO ALLOW MANEUVERING BY A WHEELCHAIR.
- E** A 30 IN. WIDE WORK SURFACE MUST BE PROVIDED WHICH COMPLIES WITH ANSI A117.1, FIG. B4.33.4.4. IT IS SUGGESTED THAT CONTRACTOR INSTALL A FIXED 30" COUNTER AT A HEIGHT OF 34 IN. ABOVE THE FLOOR WITHOUT BASE CABINET AND THE FLOOR MATERIAL EXTENDING FULL DEPTH.
- F** THE USE OF A SPECIAL RANGE IS REQUIRED WHICH DOES NOT REQUIRE REACHING ACROSS BURNERS. RANGE HOOD CONTROLS ACCESSIBLE REACH RANGE TO COMPLY WITH ANSI A117.1 SECTIONS 1003.12.6.1, AND 1003.12.6.4
- G** BATH LAYOUTS SHALL BE MODIFIED IN ACCESSIBLE UNIT ONLY TO COMPLY WITH ANSI A117.1, ART. 4.32.4
- H** WATER CLOSET SHALL BE A SPECIAL FIXTURE WHICH COMPLIES WITH ART. 4.32.4.2, AND IS BETWEEN 15 IN. AND 19 IN. MEASURED TO THE TOP OF THE TOILET SEAT.
- I** GRAB BARS SHOULD BE INSTALLED AT THE LOCATIONS SHOWN AND AT THE HEIGHTS ILLUSTRATED IN FIG. 37, ANSI A117.1. BLOCKING FOR THE GRAB BARS SHALL BE INSTALLED BY THE FRAMER AT THE LOCATIONS SHOWN IN FIGURES 47 AND 48, ANSI A117.1. GRAB BARS WHEN INSTALLED MUST COMPLY WITH THE STRUCTURAL REQUIREMENTS OF ART. 4.24.3 AND SHALL HAVE A DIAMETER OF BETWEEN 1/4 AND 1 1/2 INCH PROVIDE A SPACE OF 1 1/2 IN. MINIMUM BETWEEN BAR AND WALL.
- J** THE LAVATORY AND MIRROR SHALL COMPLY WITH ART. 4.19 AND BE WALL-MOUNTED 34 IN. ABOVE FLOOR WITH NO BASE CABINET. CLEARANCES MUST COMPLY WITH ART. 4.19 AND THE SINK ITSELF SHALL BE A MAXIMUM OF 6 1/2 IN. DEEP. EXPOSED HOT WATER AND DRAIN PIPES MUST BE INSULATED. LEVER-OPERATED FAUCETS ARE RECOMMENDED TO COMPLY W/ ART. 4.19.5.
- K** PROVIDE A 30 IN. BY 60 IN. TUB WITH AN IN-TUB SEAT AND MINIMUM FLOOR CLEARANCES TO COMPLY WITH ART. 4.32.4.4. GRAB BARS AND STRUCTURAL BLOCKING MUST BE INSTALLED TO COMPLY WITH FIGS. 34 AND 48.
- L** CHANGE THIS DOOR SWING OUT OF THE ROOM IN ACCESSIBLE UNITS ONLY.
- M** IN ACCESSIBLE UNITS PROVIDE MINIMUM 2'-10" DOORS AT ALL PASSAGE DOOR LOCATIONS. THIS REQUIREMENT APPLIES TO ALL GROUND FLOOR UNITS PER THE FAIR HOUSING ACT.
- N** ROD AND SHELF HEIGHTS IN EACH CLOSET SHALL MEET THE ACCESSIBLE REACH RANGE TO COMPLY WITH ANSI SECTION 1003.14 AND FIGURES 308.2.1 AND 308.3.2



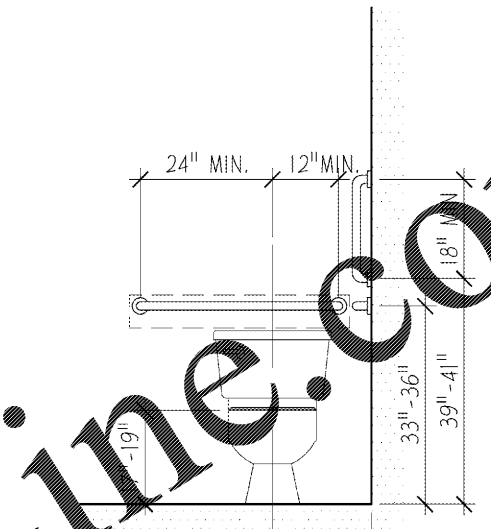
1 KIT. WORKSPACE
 SCALE: N.T.S.



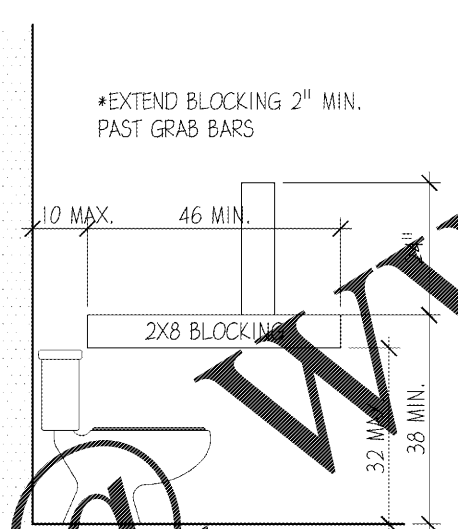
2 KIT. CABINETS
 SCALE: N.T.S.



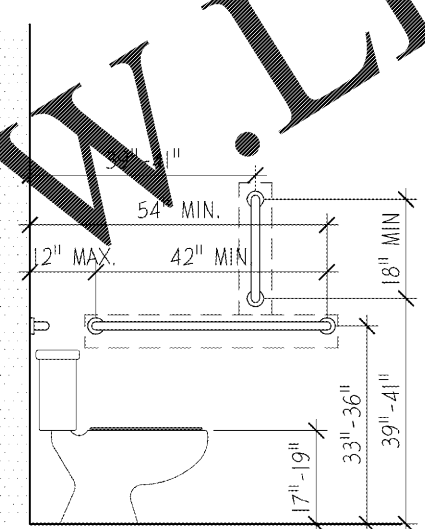
3 BLOCKING CONFIG AT TOILET (REAR WALL)
 SCALE: N.T.S.



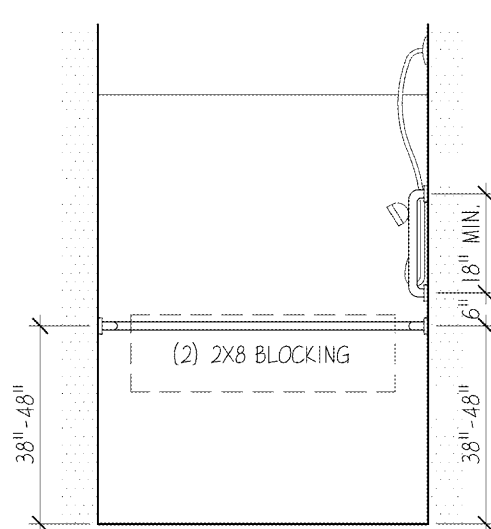
4 GRAB BAR CONFIG AT TOILET (REAR WALL)
 SCALE: N.T.S.



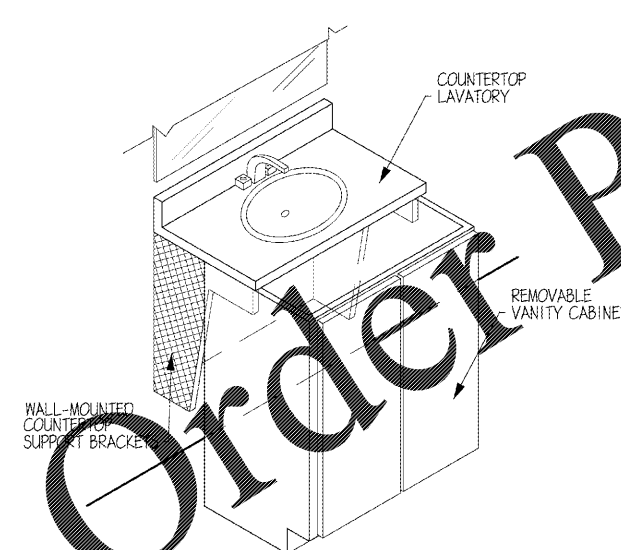
5 BLOCKING CONFIG AT TOILET (SIDE WALL)
 SCALE: N.T.S.



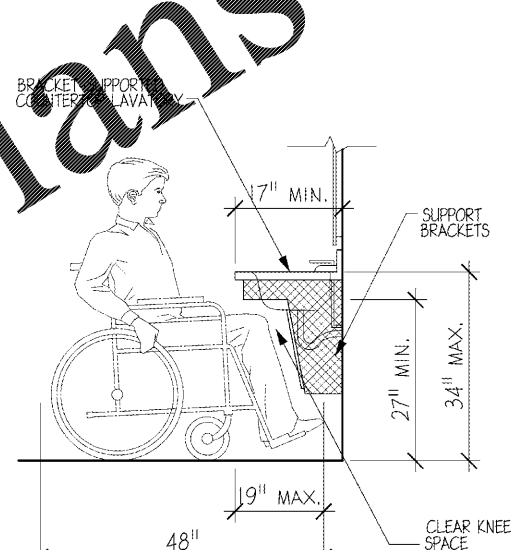
6 GRAB BAR CONFIG AT TOILET (SIDE WALL)
 SCALE: N.T.S.



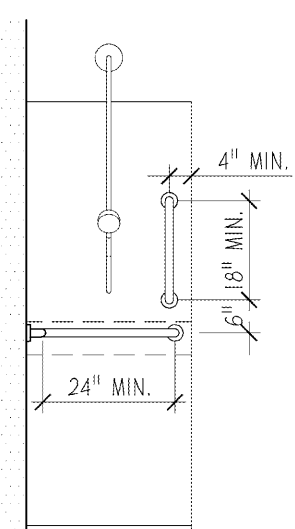
7 GRAB BAR/BLOCKING AT BACK WALL
 SCALE: N.T.S.



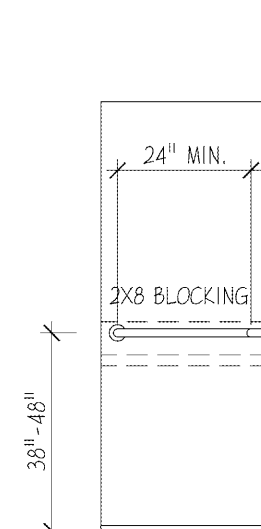
8 REMOVABLE BASE CAB.
 SCALE: N.T.S.



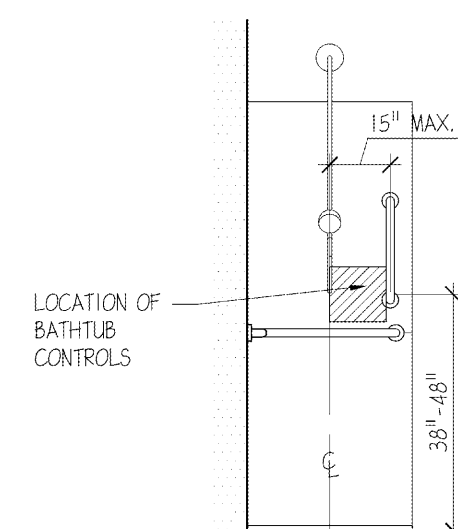
9 REMOVABLE BASE CAB.
 SCALE: N.T.S.



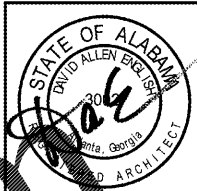
10 GRAB BAR/BLOCKING AT FOOT (CONTROL WALL)
 SCALE: N.T.S.



11 GRAB BAR/BLOCKING AT HEAD
 SCALE: N.T.S.



12 DETAIL TUB CONTROLS
 SCALE: N.T.S.



ENGLISH & ASSOCIATES ARCHITECTS, INC.
 3084 MERCER UNIVERSITY DRIVE, SUITE 100
 ATLANTA, GEORGIA 30341
 DENGGLISH@ENGLISHASSOCIATESINC.COM

JOB PROGRESS:
 ITEM: DATE:

REVISIONS:
 TAG: DATE:

This drawing, as an instrument of service, is and shall remain the property of the Architect. It is not to be reproduced, copied, or used in any way without the written permission of the Architect of Record. DO NOT scale this drawing. All questions to be submitted as a formal request for information to the Architect of Record.

ALEXANDRIA
 AN APARTMENT COMMUNITY
 FOR
Bobo Family Group
 HUNTSVILLE, ALABAMA

JOB NUMBER:
 DRAWN BY:
 CHECKED BY:
 STATE REQUIRED DETAILS
 SHEET NO.

1.11